

THIS DRAWING IS UNPUBLISHED. RELEASED FOR PUBLICATION 20  
 © COPYRIGHT 20 BY - ALL RIGHTS RESERVED.

REVISIONS					
P	LTR	DESCRIPTION	DATE	DWN	APVD
B1		REVISED PER ECO-11-004587	11MAR2011	RK	HMR
B2		REVISED PER ECR-11-015304	29JUL2011	RK	DD

- NOTES:
- 1 MATERIALS AND FINISH
    - HOUSING: LCP
    - CONTACTS: COPPER ALLOY, FINISH: TIN
  - 2 PRODUCT TO COMPLY WITH DIRECTIVE 2002/95/EC (ROHS)
  - 3 PACKAGED IN TAPE AND REEL PER EIA-481 SPECIFICATIONS



1954289-1/  
1-1954289-1  
SHOWN



1954289-1/ 1954289-2/  
1-1954289-1 1-1954289-2  
SCALE 3:1 SCALE 3:1  
1954289-3/  
1-1954289-3  
SCALE 3:1

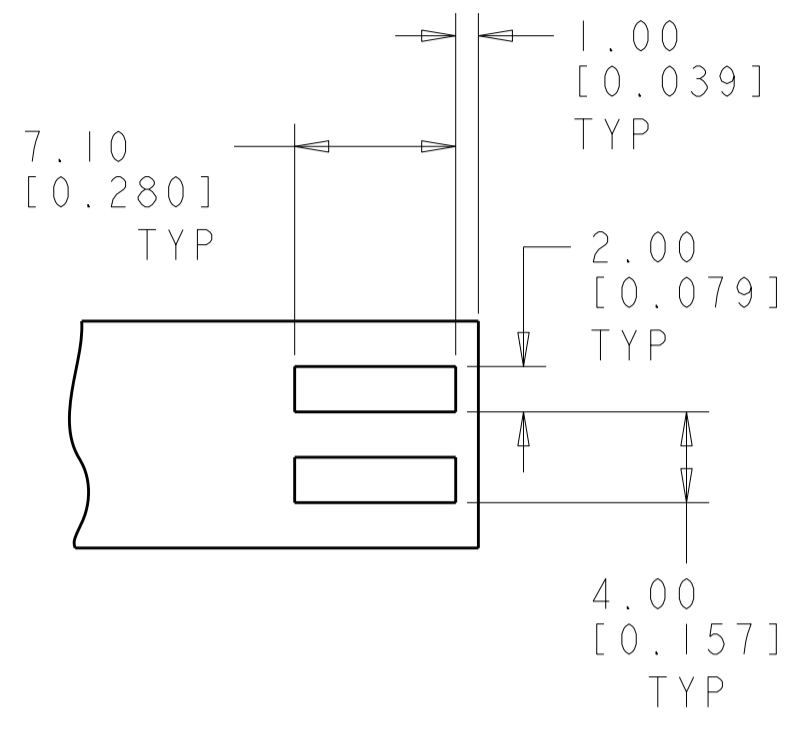
MATED PAIRS SHOWN FOR REFERENCE

POSITION	COLOR	DIM A	PART NO.
6	BLACK	23.90	1-1954289-3
4	BLACK	15.90	1-1954289-2
2	BLACK	7.90	1-1954289-1
6	NATURAL	23.90	1954289-3
4	NATURAL	15.90	1954289-2
2	NATURAL	7.90	1954289-1

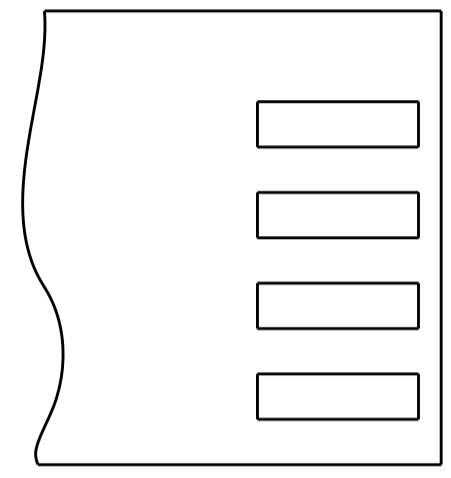
THIS DRAWING IS A CONTROLLED DOCUMENT.		DWN RAGHU 18DEC2006	<b>STE</b> TE Connectivity		
		CHK S. HORST 17APR2007			
DIMENSIONS: mm		TOLERANCES UNLESS OTHERWISE SPECIFIED:		NAME CONNECTOR ASSEMBLY, HERMAPHRODITIC BLADE AND RECEPTACLE	
0 PLC ±-		1 PLC ±-		APVD -	
1 PLC ±-		2 PLC ±0.13		PRODUCT SPEC 108-2342	
2 PLC ±0.13		3 PLC ±0.013		APPLICATION SPEC 114-13225	
3 PLC ±0.013		4 PLC ±-		SIZE A200779	
4 PLC ±-		ANGLES ±°		CAGE CODE C-1954289	
FINISH		WEIGHT -		DRAWING NO. 1954289	
MATERIAL		CUSTOMER DRAWING		RESTRICTED TO -	
		SCALE 3:1		SHEET 1 OF 2 REV B2	

THIS DRAWING IS UNPUBLISHED. RELEASED FOR PUBLICATION 20  
 © COPYRIGHT 20 BY - ALL RIGHTS RESERVED.

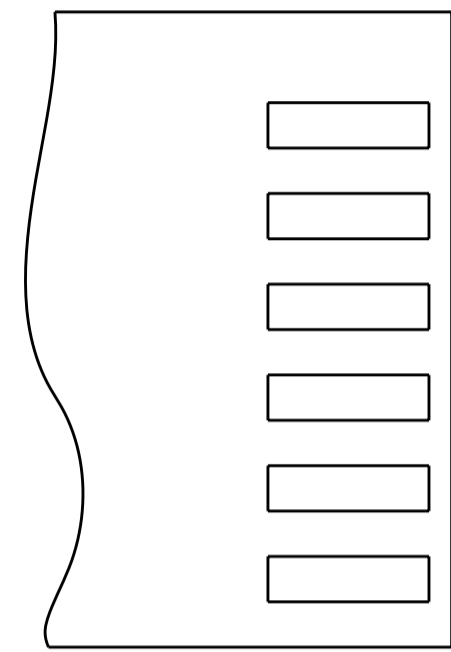
LOC		DIST		REVISIONS			
P	LTR	DESCRIPTION	DATE	DWN	APVD		
-	-	SEE SHEET 1	-	-	-		



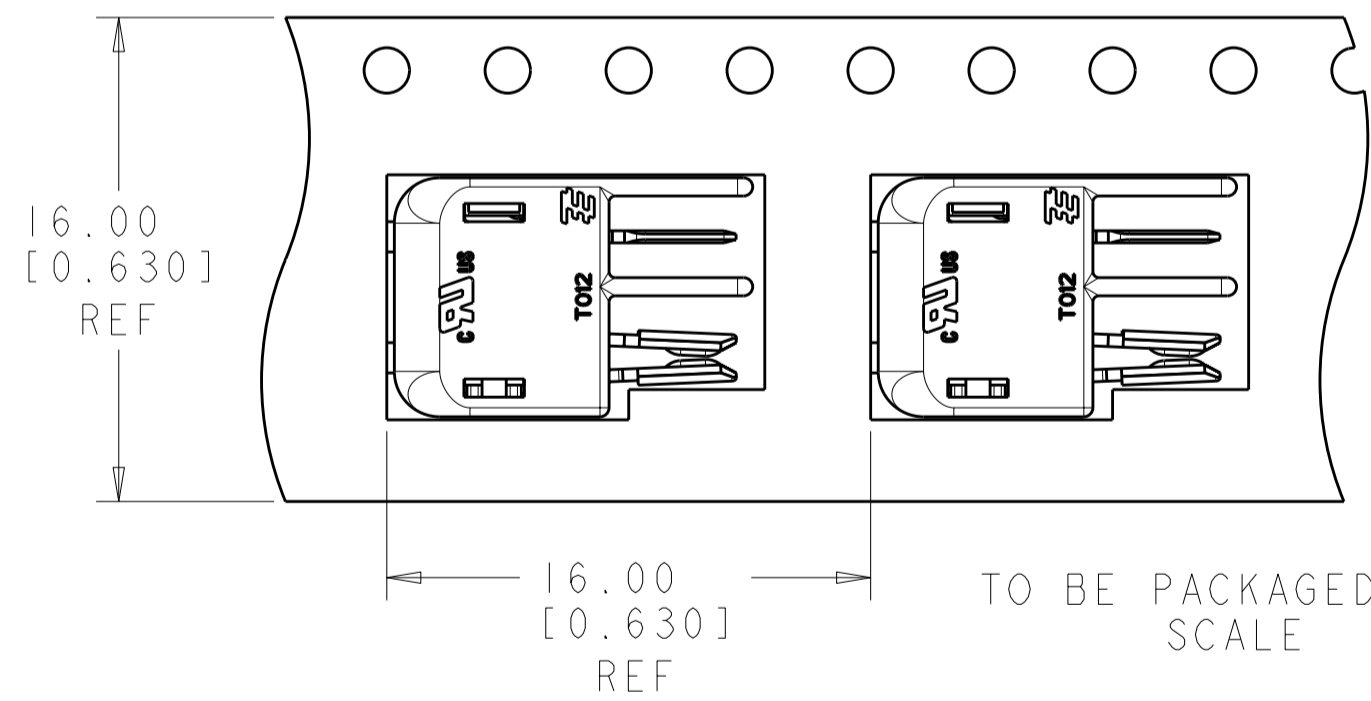
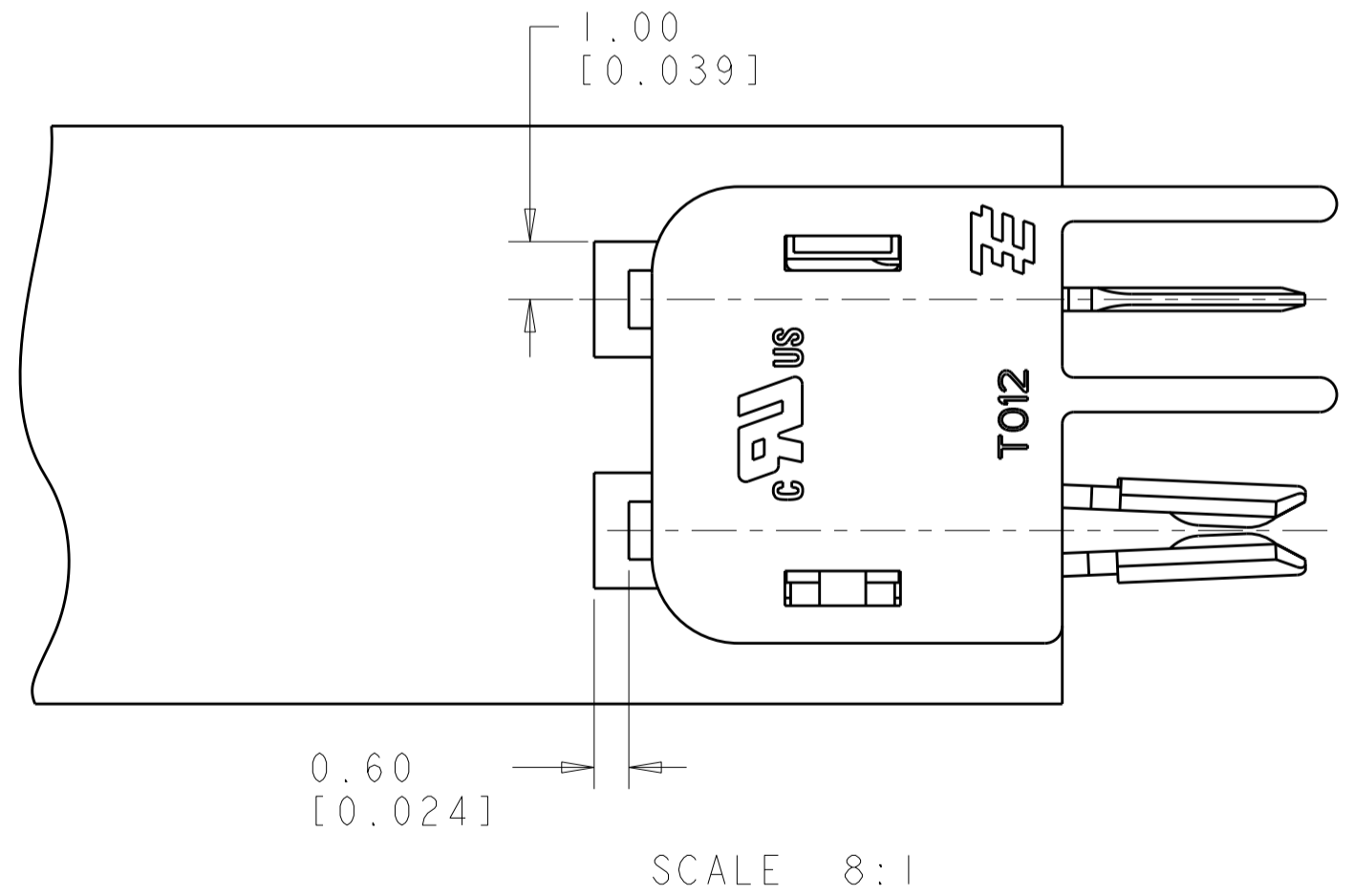
RECOMMENDED PCB LAYOUT FOR 1954289-1 & 1-1954289-1



RECOMMENDED PCB LAYOUT FOR 1954289-2 & 1-1954289-2



RECOMMENDED PCB LAYOUT FOR 1954289-3 & 1-1954289-3



TO BE PACKAGED AS SHOWN  
SCALE 4:1

THIS DRAWING IS A CONTROLLED DOCUMENT.		DWN RAGHU 18DEC2006	TE Connectivity	
		CHK S_HORST 17APR2007		
DIMENSIONS: mm		TOLERANCES UNLESS OTHERWISE SPECIFIED:		NAME
		0 PLC ± 1 PLC ± 2 PLC ±0.13 3 PLC ±0.013 4 PLC ± ANGLES ±° FINISH		CONNECTOR ASSEMBLY, HERMAPHRODITIC BLADE AND RECEPTACLE
MATERIAL		PRODUCT SPEC 108-2342		SIZE
		APPLICATION SPEC 114-13225		CAGE CODE
		WEIGHT		DRAWING NO
		CUSTOMER DRAWING		A200779C-1954289
		SCALE 3:1		RESTRICTED TO
		SHEET 2 OF 2		REV B2

# Mouser Electronics

Authorized Distributor

Click to View Pricing, Inventory, Delivery & Lifecycle Information:

[TE Connectivity:](#)

[1-1954289-1](#)