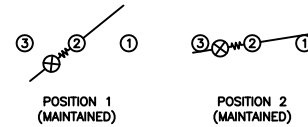


SCHEMATIC



SPECIFICATIONS

FUNCTION:
1P1T OFF-ON

RATINGS:
ANSI/UL 1054 and CAN/CSA C22.2 No. 55 (E194579):
20A 125VAC [cURus]
16A 250VAC [cURus]
3/4HP 125/250VAC [cURus]

CAN/CSA C22.2 No. 55 (233821):
16A 125/250VAC [CSA]
1/4HP 125/250VAC [CSA]

EN 61058-1:2002 and DIN/VDE 0630:2003-03 (40017440):
16(4)A 250V~ 1E4 μ T85/55 [ENEC10, VDE]
10(2)A 250V~ 5E4 μ T85/55 [ENEC10, VDE]
20(8)A 250V~ 1E4 μ T125/55 [ENEC10, VDE]

ILLUMINATION VOLTAGE:
24V

CONTACT RESISTANCE:
Initial: 20mΩ Max.

INSULATION RESISTANCE:
100MΩ Min. at 500VDC

DIELECTRIC STRENGTH:
1,000VAC for 1 Minute

ELECTRICAL LIFE:
6,000 Cycles [cURus, CSA]
10,000 Cycles [ENEC10, VDE: 16(4)A 250V~]
50,000 Cycles [ENEC10, VDE: 10(2)A 250V~]

TEMPERATURE:
Operating: -20°C to 105°C [cURus, CSA]
Operating: -20°C to 85°C [ENEC10, VDE: 16(4)A 250V~]
Operating: -20°C to 125°C [ENEC10, VDE: 20(8)A 250V~]

APPROVALS:

COLORS AND MARKINGS

BODY:
Black

ACTUATOR:
Transparent Green

MARKINGS:
ON/OFF Vertical (3)

MARKING COLOR:
White

MATERIALS

BODY:
Polyamide 6/6 (PA66), UL94 V-2

ACTUATOR:
Polycarbonate (PC), UL94 V-2

LAMP CARRIER:
Polyamide 6/6 (PA66), UL94 V-2

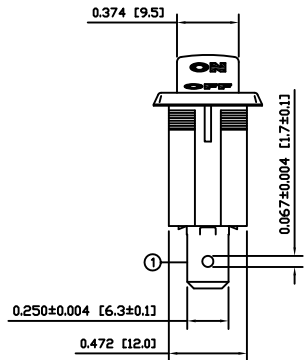
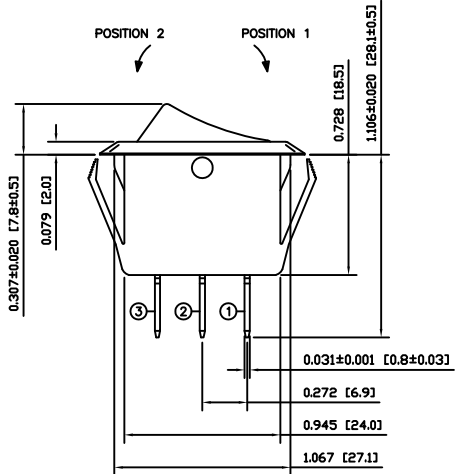
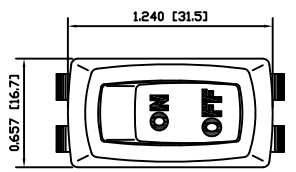
LAMP:
Incandescent Bulb

LAMP SPRING:
Steel

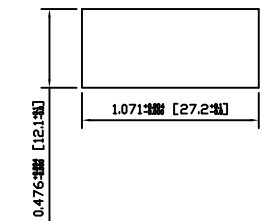
SPRING:
Steel

CONTACTS:
Silver Plated Copper

TERMINALS:
Silver Plated Copper
Silver Plated Brass



SUGGESTED PANEL CUTOUT



ACTUATOR	A	09/08/13	CAB
BODY	B	10/05/10	CAB
COLORS	A	09/08/13	CAB
MATERIALS	A	09/08/13	CAB
SPECIFICATIONS	B	10/01/27	CAB
REFERENCE	REV.	DATE	BY

THE INFORMATION CONTAINED IN THIS DOCUMENT IS PROPRIETARY TO E-SWITCH AND IS NOT TO BE COPIED OR TRANSFERRED

B	IMPROVED UL TEMPERATURE RATING TO 105°C	19855	11/02/04	CAB
A	INITIAL RELEASE	PCRD0058	09/08/13	CAB
REV.	DESCRIPTION	PCR	DATE	DRAWN BY

DIMENSIONS	
INCHES [MILLIMETERS]	
GENERAL TOLERANCES	
±0.008 [±0.2] / ±1'	
SCALE	PROJECTION
DRAWING NOT TO SCALE	1st Angle

RSC241D1023-135			
ITEM NUMBER	DATE	REVISION	
14-RSC241D1023135	FEBRUARY 4, 2011	B	