

SAW Filter 1300.0MHz

Model: TA0840A

Part No: MP02776

Rev. No: 1

A. MAXIMUM RATING:

1. Input Power Level: 10dBm
2. DC Voltage: 3V
3. Operating Temperature: -25°C to +85°C
4. Storage Temperature: -40°C to +85°C

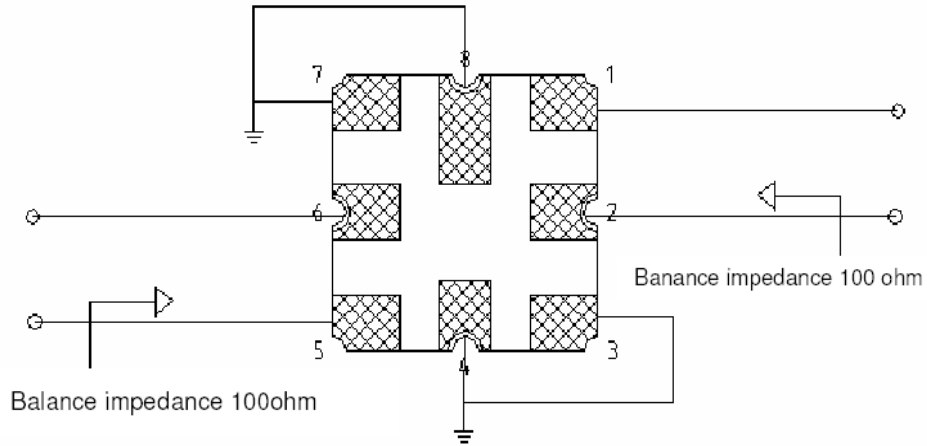
B. ELECTRICAL CHARACTERISTICS:

Item	Unit	Min.	Typ.	Max.
Center frequency Fc	MHz	-	1300	
Insertion loss (1296 ~ 1304MHz) IL	dB	-	2.9	4.5
Absolute Group delay at 1300MHz	ns	-	33	60
Group delay variation (1296 ~ 1304MHz)	ns	-	4	15
Phase variation (1296 ~ 1304MHz)	Deg	-	2.2	25
Amplitude ripple (1296 ~ 1304MHz)	dB	-	0.3	1.5
Attenuation (Referent to IL)				
Fc - 30MHz	dB	10	31	-
Fc + 30MHz	dB	10	26	-
Fc - 60MHz	dB	30	57	-
Fc + 60MHz	dB	30	39	-
Fc - 140MHz	dB	35	47	-
Fc + 140MHz	dB	35	42	-
Fc - 250MHz	dB	35	44	-
Fc + 250MHz	dB	35	43	-
Source impedance Z _s	Ω	100		
Load impedance Z _L	Ω	100		

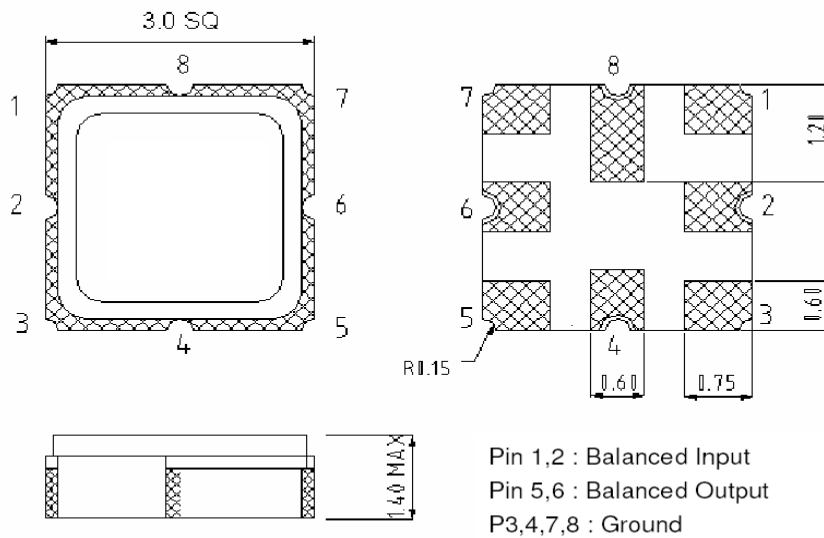
SAW Filter 1300.0MHz
Part No: MP02776

Model: TA0840A
Rev. No: 1

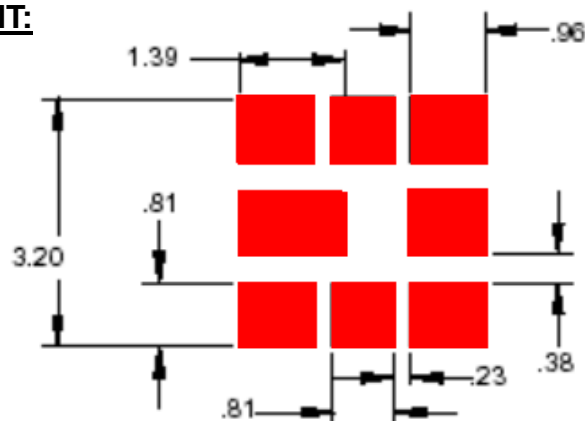
C. MEASUREMENT CIRCUIT:



D. OUTLINE DRAWING:



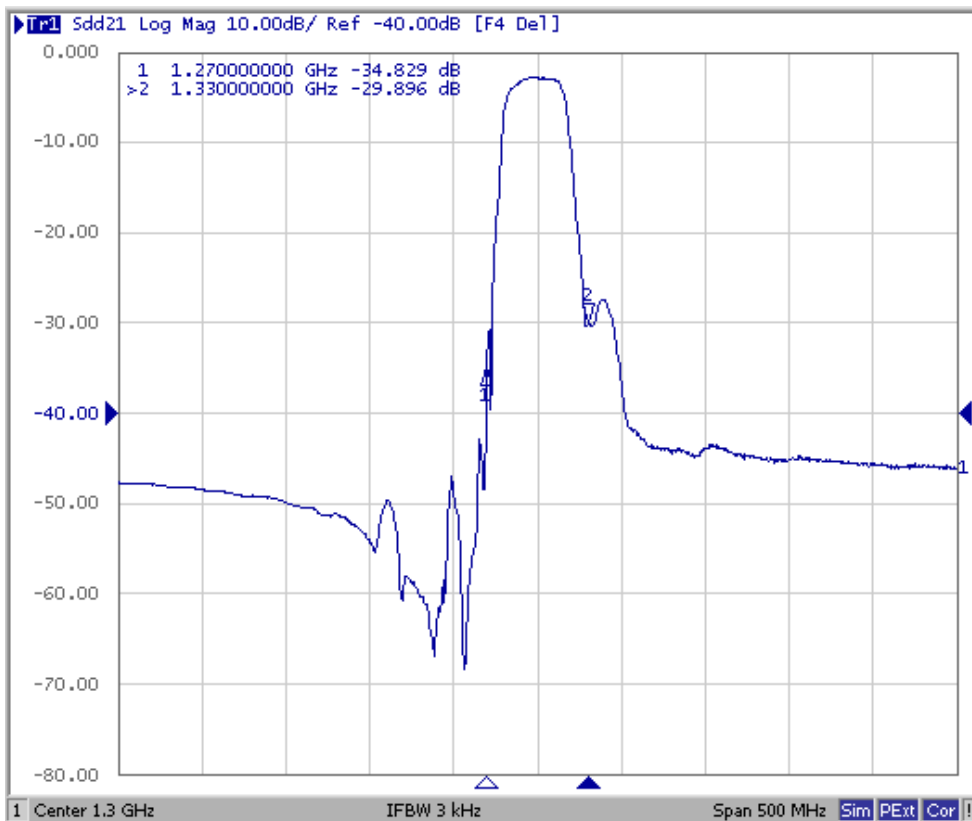
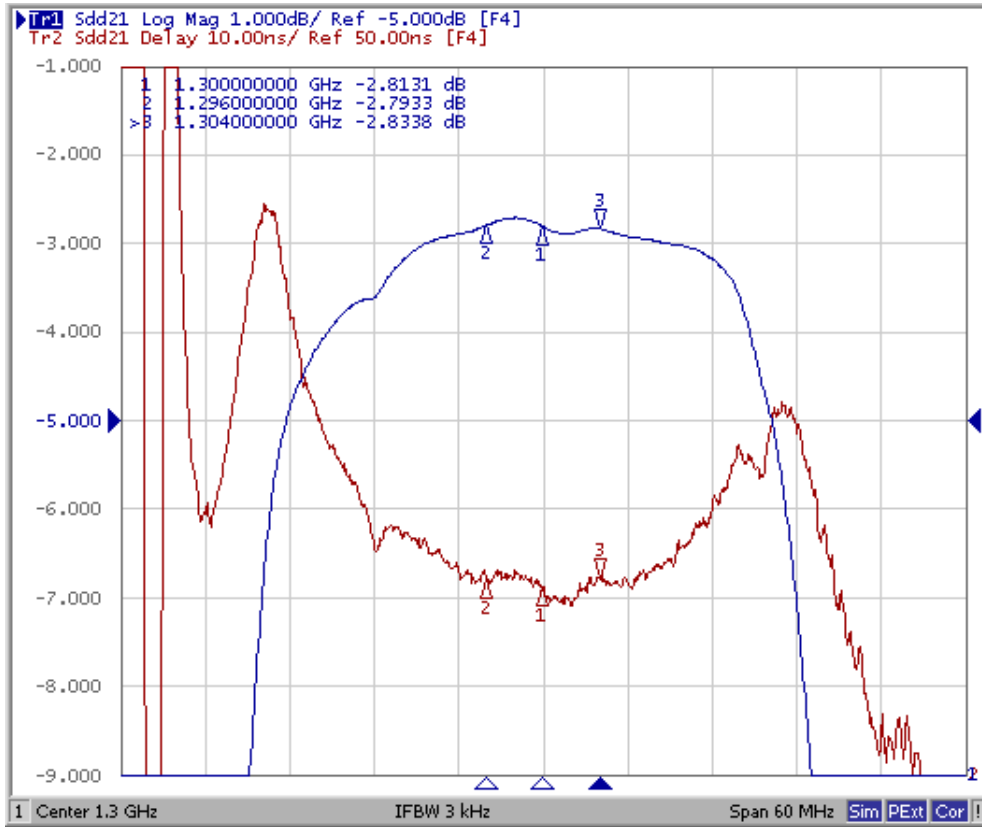
E. PCB FOOTPRINT:



SAW Filter 1300.0MHz
Part No: MP02776

Model: TA0840A
Rev. No: 1

F. FREQUENCY CHARACTERISTICS:

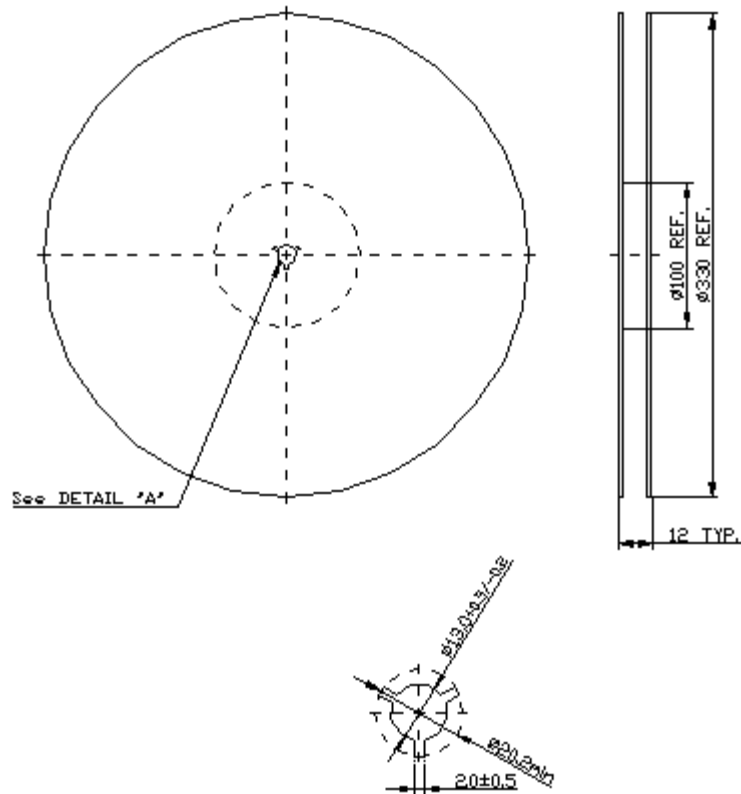


SAW Filter 1300.0MHz
Part No: MP02776

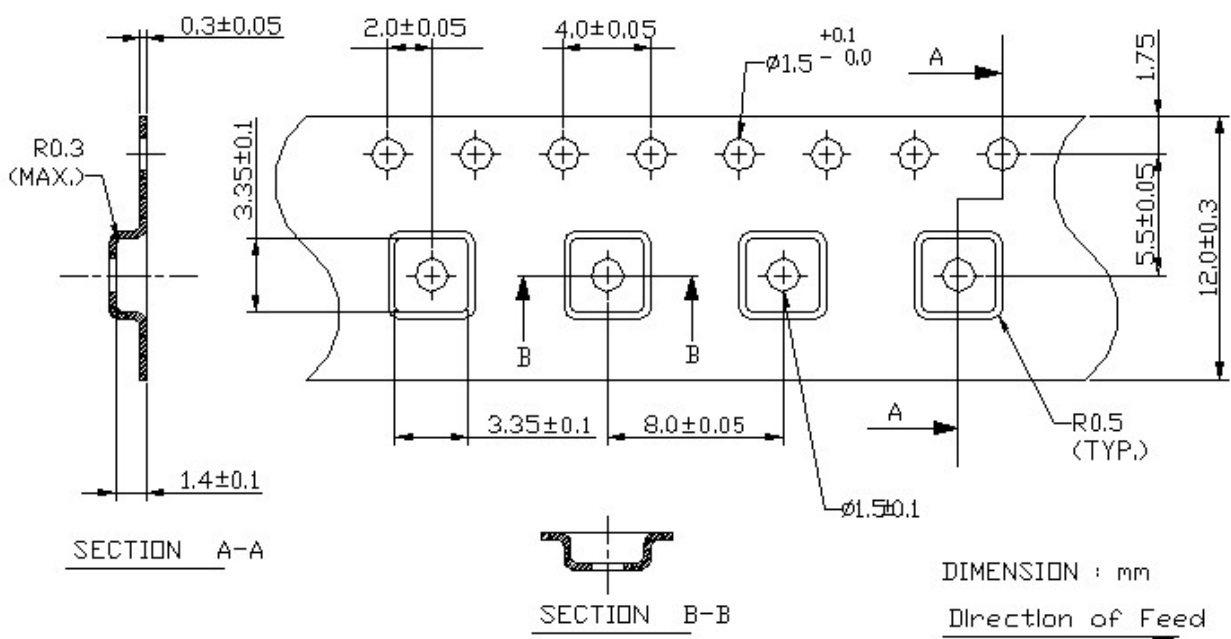
Model: TA0840A
Rev. No: 1

G. PACKING:

1. Reel Dimension



2. Tape Dimension



SAW Filter 1300.0MHz
Part No: MP02776

Model: TA0840A
Rev. No: 1

H. RECOMMENDED REFLOW PROFILE:

