

1. PART NO. EXPRESSION :

S M C 1 0 0 5 R 1 0 M Z F
 (a) (b) (c) (d)(e) (f)

(a) Series code

(b) Dimension code

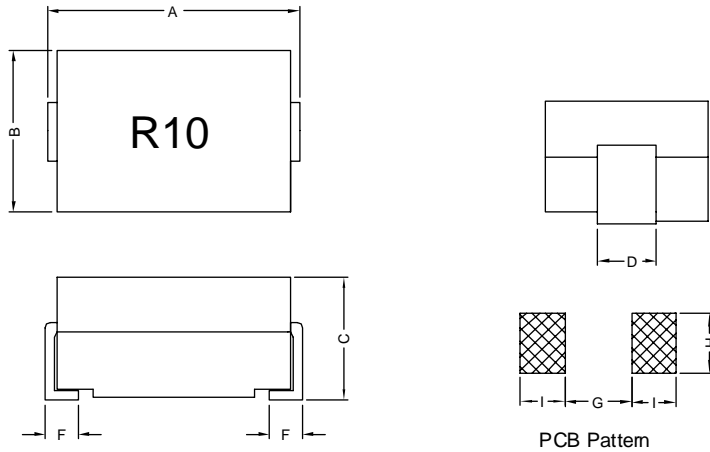
(c) Inductance code : R10 = 0.10uH

(d) Tolerance code : M = ±20%

(e) Z : Standard Products

(f) F : RoHS Compliant

2. CONFIGURATION & DIMENSIONS :

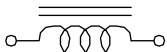


PCB Pattern

Unit : mm

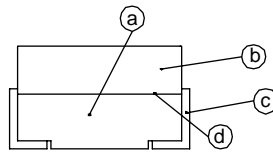
A	B	C	D	F	G	H	I
10.2 Max.	7.00 Max.	5.00 Max.	2.50± 0.30	1.30± 0.20	6.35 Ref.	3.0 Ref.	2.0 Ref.

3. SCHEMATIC :



4. MATERIALS :

- a) Core
- b) Core
- c) Clip
- d) Adhesive



RoHS Compliant

NOTE : Specifications subject to change without notice. Please check our website for latest information.

05.01.2015



SUPERWORLD ELECTRONICS (S) PTE LTD

5. GENERAL SPECIFICATION :

- a) Temp. Rise : 40° C Max. at I_{rms}
- b) $\Delta L / L_0A$: 20% Max. at I_{sat}
- c) Operating Temperature : -40° C ---+125° C
- d) Storage condition (component in its packaging)
 - i) Temperature : -10 to 40° C
 - ii) Humidity : 60%

6. ELECTRICAL CHARACTERISTICS :

Part Number	Inductance (μ H)	Test Frequency (Hz)	DC Resistance ($m\Omega$) Max.	I _{sat} (A)	I _{rms} (A)
SMC1005R08MZF	0.085 \pm 20%	1V/100K	0.42	70	50
SMC1005R10MZF	0.100 \pm 20%	1V/100K	0.42	70	50
SMC1005R12MZF	0.120 \pm 20%	1V/100K	0.42	52	50
SMC1005R15MZF	0.155 \pm 20%	1V/100K	0.42	40	50
SMC1005R22MZF	0.220 \pm 20%	1V/100K	0.42	33	50



RoHS Compliant

NOTE : Specifications subject to change without notice. Please check our website for latest information.

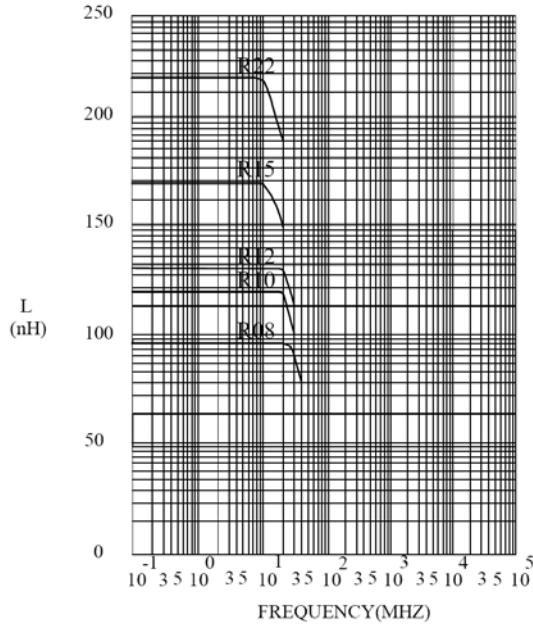
05.01.2015



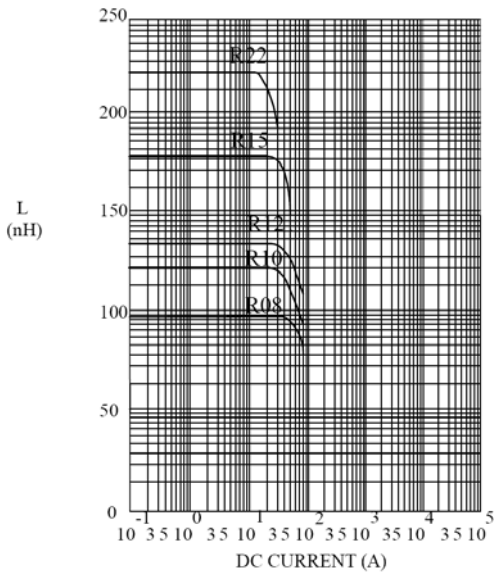
SUPERWORLD ELECTRONICS (S) PTE LTD

7. CHARACTERISTICS CURVES :

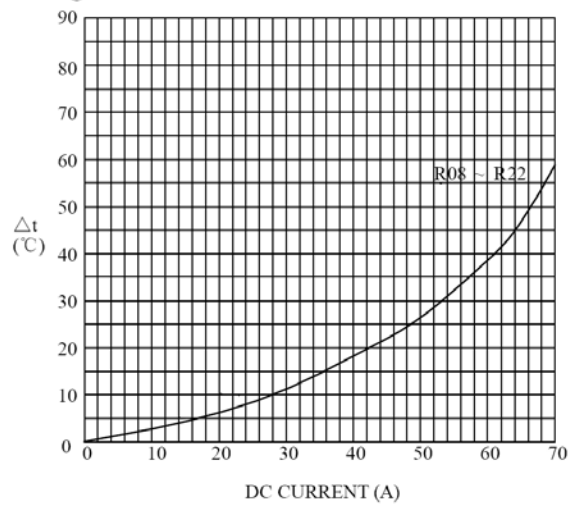
@ INDUCTANCE VS. FREQUENCY RESPONSE CURVE



@ INDUCTANCE VS. DC SUPERPOSITION RESPONSE CURVE



@ TEMP. RISE VS. DC SUPERPOSITION RESPONSE CURVE



RoHS Compliant

NOTE : Specifications subject to change without notice. Please check our website for latest information.

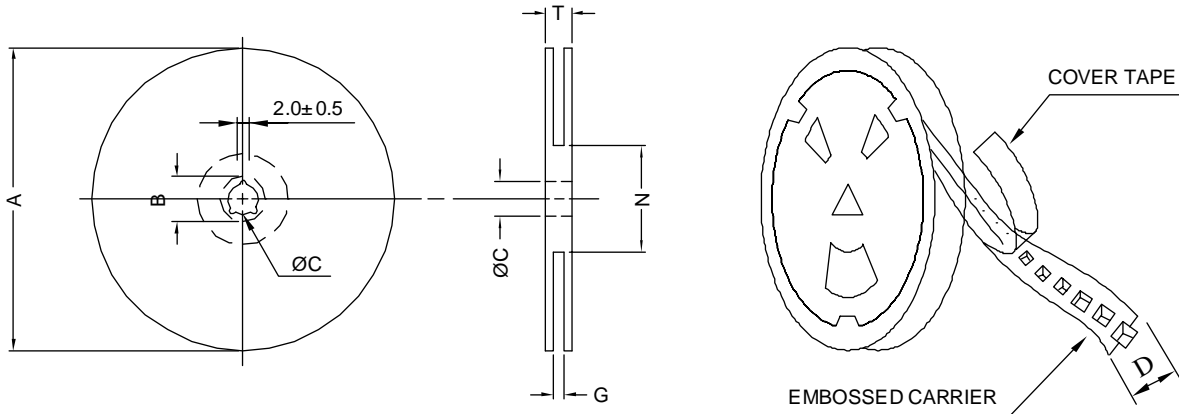
05.01.2015



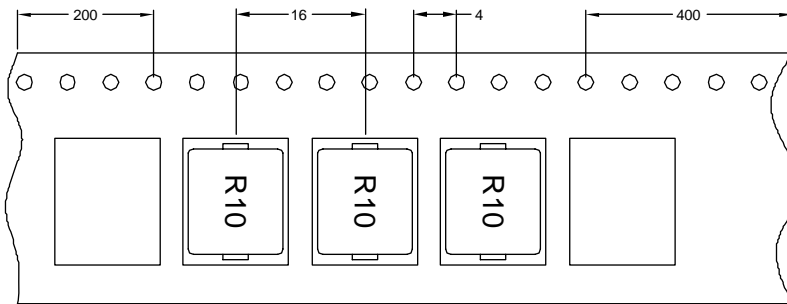
SUPERWORLD ELECTRONICS (S) PTE LTD

7. PACKAGING INFORMATION :

(1) CONFIGURATION



* CARRIER TAPE WIDTH : D



(2) DIMENSIONS

Unit:m/m

STYLE	A	B	C	D	G	N	T
13-24	330	21±0.8	13	24	26 ⁺⁰	50 ⁻⁰	30.4

(3) QTY & G.W. PER PACKAGE

SERIES	INNER : REEL			OUTER : CARTON		
	QTY (PCS)	G.W. (gw)	STYLE	QTY (PCS)	G.W. (Kg)	SIZE (cm)
SMC1005	1000	1850	13-24	4000	8.4	38 x 36.5 x 21



RoHS Compliant

NOTE : Specifications subject to change without notice. Please check our website for latest information.

05.01.2015



SUPERWORLD ELECTRONICS (S) PTE LTD