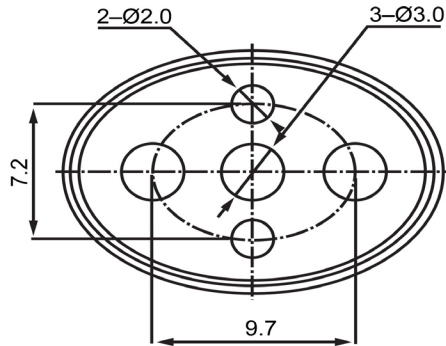
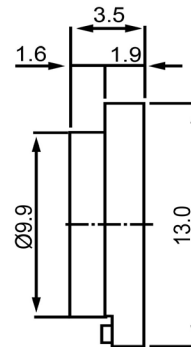


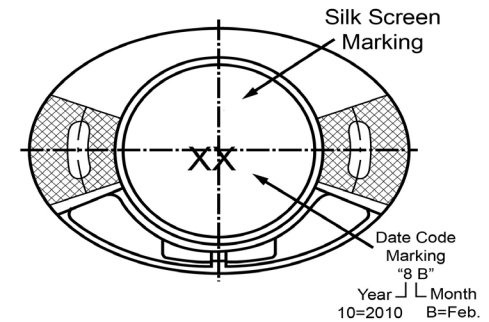
TOP VIEW




SIDE VIEW



BOTTOM VIEW



Specifications			Notes	Revision History						
Description	Value	Unit		Version	Description		Date	Approved		
Shape	Oval		1) All dimensions are in mm unless otherwise noted 2) All parts meet RoHS	1	Released from Engineering		2/5/2014	J.S		
Resonant Frequency	850	(Hz)								
Frequency Range	200 ~ 10,000	(Hz)								
SPL @ 10cm	89	(dBA)								
Impedance	8	(Ohm)								
Cone Material	Mylar									
Nominal Power	0.8	(W)								
Max Power	1	(W)								
Mount Type	Flush Mount									
Operating Temperature	- 30 ~ + 70	°C								
Storage Temperature	- 30 ~ + 70	°C								
Weight	1.3	(g)								
 DB UNLIMITED			Dynamic Speaker			SM180808-1				