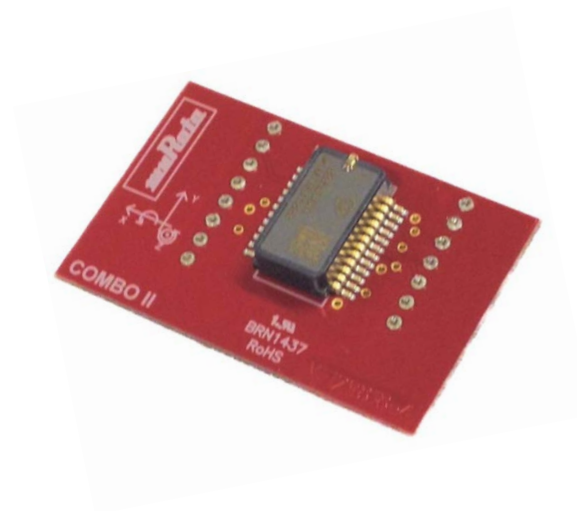


SCC2000 SERIES PCB SPECIFICATION



Doc. No. 82 2057 00 Rev. A

1 SCC2000 Series Chip Carrier PCB

The purpose of SCC2000 series PCB is to enable fast prototyping.

SCC2000 series PCB includes

- SCC2000 series sensor soldered on PCB
- PCB design # 29818 with pin headers
- Connectors and passive components

Refer to corresponding component specific datasheet when using the SCC2000 series PCB.

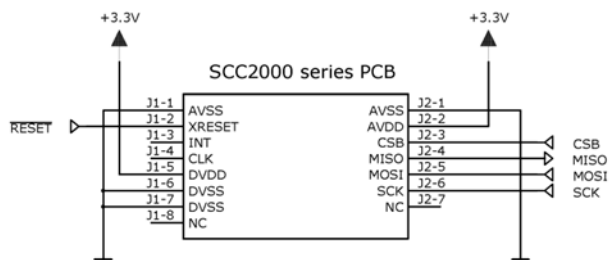


Figure 1. SCC2000 series PCB pin out and external connections.

Table 1. BOM of the SCC2000 series PCB.

Item	Qty	Ref	Part Name / type	Value
1	1	C1	Capacitor 0603	470 nF, 50V
2	3	C2-3, C5	Capacitor 0805	1 μ F
3	1	C4	Capacitor 0603	100 nF
4	2	C6-7	Capacitor 1210	47 μ F
			Optional, assembled with SCC2230-E02 and SCC2130-D08	
5	1	L1	Inductor 1210, Bourns CM322522-470KL	47 μ H
6	1	U1	SCC2000 series Gyro Accelerometer Combo	
7	1	J1	8-pin through hole pin header, pitch 100 mils, pin size 0.63x0.63mm, length ~5.85mm (example mating part: Samtec: SSQ-107-01-S-S)	
8	1	J2	7-pin through hole pin header, pitch 100 mils, pin size 0.63x0.63mm, length ~5.85mm (example mating part: Samtec: SSQ-108-01-S-S)	

Detailed pictures of SCC2000 series PCB are presented in following pages:

- PCB layout
- Assembly drawings
- Circuit diagram

PCB mechanical dimensions:

- Length 42.9 mm
- Width 27.4 mm
- Height 15.1 mm (incl. components and pin headers)



Figure 2. TOP (left) and BOTTOM (right) layout of SCC2000 series PCB (aspect ratio not 1:1).

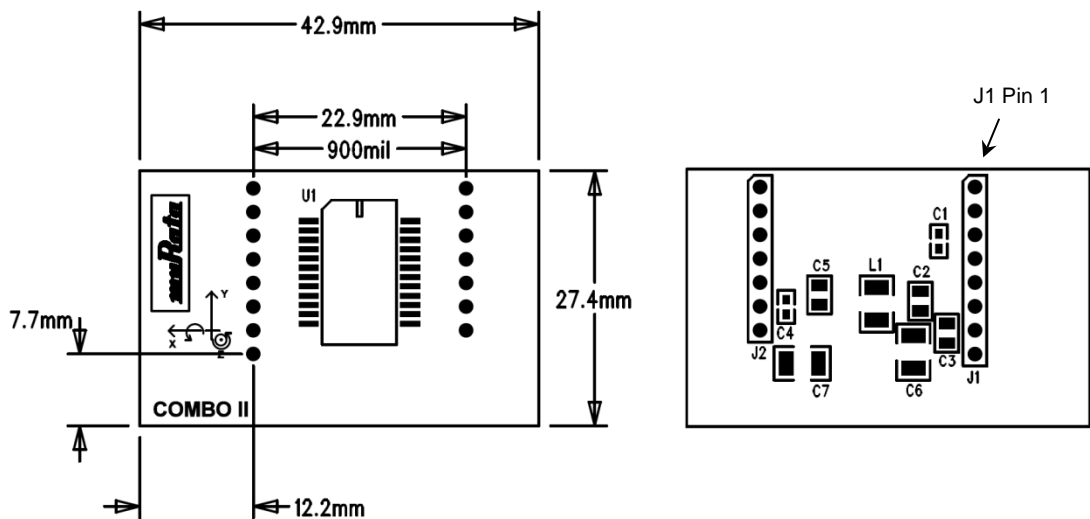


Figure 3. TOP (left) and BOTTOM (right) view assembly drawings for SCC2000 series PCB (aspect ratio not 1:1).

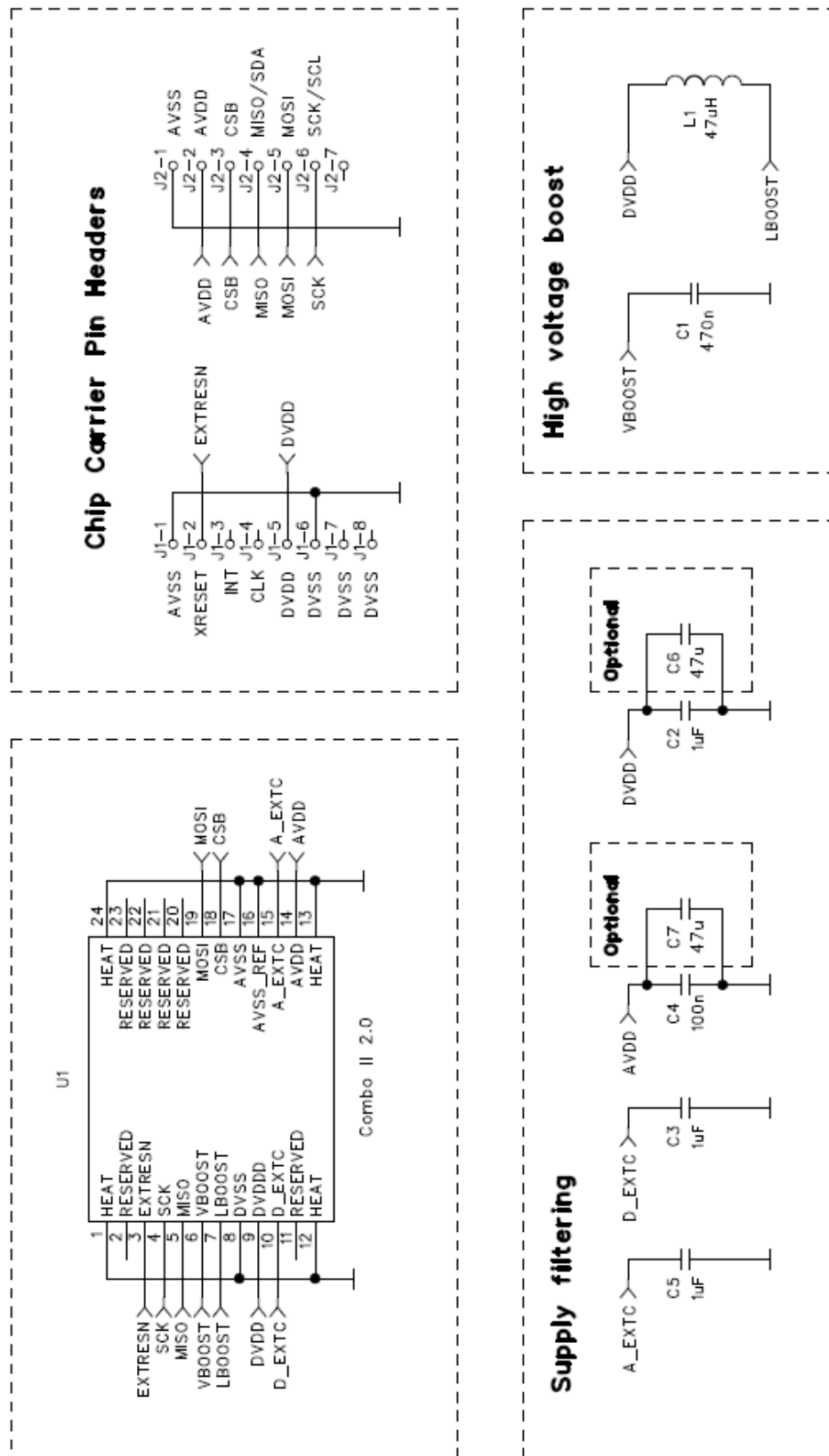


Figure 4. SCC2000 series PCB circuit diagram.