

FL SWITCH SFN...24VAC

Five- and Eight-Port Standard Function Ethernet Switch with Narrow Housings for 24 V AC Power



AUTOMATION

Data Sheet
2686_en_D

© PHOENIX CONTACT 2009-12

1 Description

The FL SWITCH SFN...-24VAC range of Factory Line switches can be used for quick and cost-effective Ethernet network expansion to the field level. Due to the narrow housing design, the switches are suitable for use in control cabinets and junction boxes.

The FL SWITCH SFN...-24VAC switches support the auto negotiation function on the RJ45 ports and offer transmission speeds of 10/100 Mbps. Mixed operation for the connection of segments with different data transmission speeds is also supported. The RJ45 ports offer an auto crossing function, which means it is not necessary to make a distinction between 1:1 and crossover cables. Unused RJ45 ports can be fitted with security caps to provide mechanical protection against unauthorized use.

2 Features and Benefits

- Switched Ethernet networks reduce traffic and non-predictable timing
- Pretagged high priority messages are forwarded before lower priority messages during periods of high network traffic
- Auto-negotiation and autocross simplify cabling
- Couple copper network segments with different bit rates with automatic detection of the data transmission speed of 10 or 100 Mbps
- Individual LEDs at each port indicate communication activity and data rate
- -0 to 60°C operating range
- Removable power connector
- NS 35 DIN rail (EN 60715) compatible
- Industrial rated, rugged metal housing for industrial applications
- Low-cost, low-complexity security by connecting Layer 1 security elements at the RJ45 ports to restrict access and tampering (optional)
- Meets IEC 61000-6-2 electrical noise immunity
- Meets IEC 60068-2-6 vibration test standards
- Meets IEC 60068-2-27 shock test standards



Make sure you always use the latest documentation.
It can be downloaded at www.phoenixcontact.net/catalog.



This data sheet is valid for all products listed on the following page:

3 Ordering Data

Description	Type	Order No.	Pcs./Pkt.
Ethernet switch, with 5 RJ45 ports for 10/100 Mbps	FL SWITCH SFN 5TX-24VAC	2891021	1
Ethernet switch, with 8 RJ45 ports for 10/100 Mbps	FL SWITCH SFN 8TX-24VAC	2891020	1

Accessories

Description	Type	Order No.	Pcs./Pkt.
Universal end clamp	E/NS 35 N	0800886	50
Patch angle with 2 ports in CAT 5e	FL PF 2TX CAT5E	2891165	1
Patch angle with 8 ports in CAT 5e	FL PF 8TX CAT5E	2891178	1
Patch angle with 2 ports in CAT 6	FL PF 2TX CAT6	2891068	1
Patch angle with 8 ports in CAT 6	FL PF 8TX CAT6	2891071	1
Patch angle with security elements for 2 ports in CAT 5e	FL PF SEC 2TX	2832687	1
Patch angle with security elements for 8 ports in CAT 5e	FL PF SEC 8TX	2832690	1
Patchbox 8 x RJ45 CAT 5e, pre-assembled, can be retrofitted	FL PBX 8TX	2832496	1
Patch cable, CAT 5, pre-assembled, 0.3 m long	FL CAT5 PATCH 0,3	2832250	10
Patch cable, CAT 5, pre-assembled, 0.5 m long	FL CAT5 PATCH 0,5	2832263	10
Patch cable, CAT 5, pre-assembled, 1.0 m long	FL CAT5 PATCH 1,0	2832276	10
Patch cable, CAT 5, pre-assembled, 1.5 m long	FL CAT5 PATCH 1,5	2832221	10
Patch cable, CAT 5, pre-assembled, 2.0 m long	FL CAT5 PATCH 2,0	2832289	10
Patch cable, CAT 5, pre-assembled, 3.0 m long	FL CAT5 PATCH 3,0	2832292	10
Patch cable, CAT 5, pre-assembled, 5.0 m long	FL CAT5 PATCH 5,0	2832580	10
Patch cable, CAT 5, pre-assembled, 7.5 m long	FL CAT5 PATCH 7,5	2832616	10
Patch cable, CAT 5, pre-assembled, 10.0 m long	FL CAT5 PATCH 10	2832629	10
Security frame for SFN switch and patch fields, green	FL PLUG GUARD, GN	2891615	20
Security frame for SFN switch and patch fields, red	FL PLUG GUARD, RD	2891712	20
Security frame for SFN switch and patch fields, white	FL PLUG GUARD, WH	2891819	20
Security frame for SFN switch and patch fields	FL PORT GUARD	2891220	20
Security frame for SFN switch and patch fields	FL PLUG GUARD KEY	2891327	1
Security element for FL CAT patch	FL PATCH SAFE CLIP	2891246	20

4 Technical Data

General Data	
Function	Switch/repeater; conforms to standard IEEE 802.3
Latency of the communication processor	8 µs plus frame time
Housing dimensions (width x height x depth)	
5-port switch, without connectors	30 x 120 x 70 mm
8-port switch, without connectors	50 x 120 x 70 mm
Weight	
5-port switch, without connectors	277 g
8-port switch, without connectors	340 g
Operating temperature	0°C to 60°C
Storage temperature	-20°C to 85°C
Degree of protection	IP20, DIN 40050, IEC 60529
Protection class	Class 3 VDE 0106; IEC 60536
Humidity (operation and storage)	5% to 95%, no condensation
Air pressure (operation)	86 kPa to 108 kPa, 1500 m above sea level
Air pressure (storage)	86 kPa to 108 kPa, 3500 m above sea level
Mounting rail	NS 35 (EN 60715)
Preferred mounting position	Perpendicular to a standard rail
Connection to protective earth ground	Snapped onto a grounded rail

Supply Voltage (US)

Connection type	Removable, spring-cage connector	
Wire size (solid/stranded/AWG)	0.2 to 2.5 mm ² / 0.2 to 2.5 mm ² / 24 to 12 AWG	
Recommended PE wire size	2.5 mm ²	
Nominal power supply	24 V AC/24 V DC	
Permissible ripple	3.6 V _{pp} within the permissible voltage range	
Permissible voltage range	20 V AC to 28 V AC 12 V DC to 32 V DC	
Test voltage	500 V DC for one minute	
Protection against polarity reversal	Present	

Current Consumption and Inrush Current

Nominal current consumption		
FL SWITCH SFN 5TX-24VAC	114 mA @ 24 V AC	74 mA @ 24 V DC
FL SWITCH SFN 8TX-24VAC	189 mA @ 24 V AC	135 mA @ 24 V DC
Maximum, current consumption		
FL SWITCH SFN 5TX-24VAC	132 mA @ 20 V AC	139 mA @ 12 V DC
FL SWITCH SFN 8TX-24VAC	214 mA @ 20 V AC	287 mA @ 12 V DC
Inrush current		
FL SWITCH SFN 5TX-24VAC	3.83 A @ 24 V AC (750 μs)	5.01 A @ 24 V DC (750 μs)
FL SWITCH SFN 8TX-24VAC	3.92 A @ 24 V AC (750 μs)	4.15 A @ 24 V DC (750 μs)

Interfaces

Total number of RJ45 Ethernet interfaces	5/8
MAC Address Table Size (Entries)	1 K

Properties of RJ45 Ports

Connection format	8-pos. RJ45 female connector on the switch
Connection medium	Twisted-pair cable with a conductor cross section of 0.14 mm ² to 0.22 mm ²
Cable impedance	100 Ω
Transmission speed	10/100 Mbps
Maximum network segment length	100 m

Mechanical Tests

Shock test according to IEC 60068-2-27	Operation: 25g, 11 ms period, half-sine shock pulse Storage/transport: 50g, 11 ms period, half-sine shock pulse
Vibration resistance according to IEC 60068-2-6	Operation/storage/transport: 5g, 150 Hz, Criterion 3
Free fall according to IEC 60068-2-32	1 m

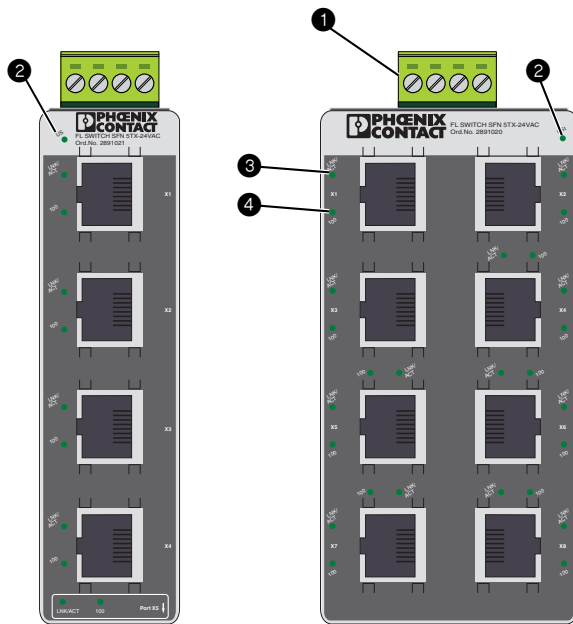
Conformance With EMC Directives

Developed according to IEC 61000-6-2	
IEC 61000-4-2 (ESD)	Criterion B
IEC 61000-4-3 (radiated-noise immunity)	Criterion A
IEC 61000-4-4 (burst)	Criterion A
IEC 61000-4-5 (surge)	Criterion B
IEC 61000-4-6 (conducted noise immunity)	Criterion A
IEC 61000-4-8 (noise immunity against magnetic fields)	Criterion A
EN 55022 (noise emission)	Class A

Approvals

General	CE, RoHS, WEEE, ROHS EEE 2002/95/EC, WEEE 2002/96/EC
Hazardous location	Class 1, Division 2, Groups A, B, C, D Temp Code T6 installed in minimum IP54 enclosure

5 Overview



- 1 Power connector
- 2 Power LED (US) - green
- 3 LNK/ACT LED
- 4 100 LED

Figure 1 Housing

5.1 Diagnostic and Status Indicators

Des.	Color	Status	Meaning
US1	green	ON	Supply voltage (US) in the tolerance range
		OFF	Supply voltage (US) too low

5.2 Data Transmission Speed LEDs (2 LEDs/Port)

	10 Mbps	100 Mbps
LNK/ACT	ON/blinking	ON/blinking
100	OFF	ON



LNK/ACT LED:
 ON: indicates an electrical link
 Flashing: indicates network traffic (at high data rates the blinking is in a constant rate)

6 Installation



CAUTION:

Only qualified personnel may start up and operate this device. Qualified personnel are persons authorized to start up, ground and mark devices, systems, and equipment according to the standards of safety technology.



NOTE:

The FL SWITCH SFN...24VAC module is designed for SELV and PELV operation according to IEC 61140/EN 61140.

Install the FL SWITCH SFN...24VAC on a clean mounting rail. To avoid contact resistance, use only clean, corrosion-free rails that meet the EN 60715 standard. End clamps can be mounted on both sides of the module to stop the modules from slipping on the rail.



NOTE:

Connect the mounting rail to protective earth ground using a grounding terminal block. The modules are grounded when they are snapped onto the rail. Connect protective earth ground with low impedance.

6.1 Assembly

- Place the module onto the rail from above. The upper holding keyway must be hooked onto the top edge of the rail.
- Push the module from the front towards the mounting surface.
- Once the module has been snapped on properly, check that it is fixed securely on the rail.

6.2 Removal

- Insert a suitable tool (e.g., needle-nose pliers) into the arresting latch and pull it down.
- Pull the module slightly away from the mounting surface.
- Lift the module from the rail.

6.3 Power Connection

The switch is designed for SELV and PELV operation at 24 V AC/DC according to IEC 61140/EN 61140. Only SELV and PELV according to the defined standards may be used for supply purposes.

Snapping the switch onto a grounded mounting rail connects it to the ground potential. In an environment particularly prone to EMI, noise immunity can be increased by an additional low-impedance connection to functional earth ground (see Figure 2).

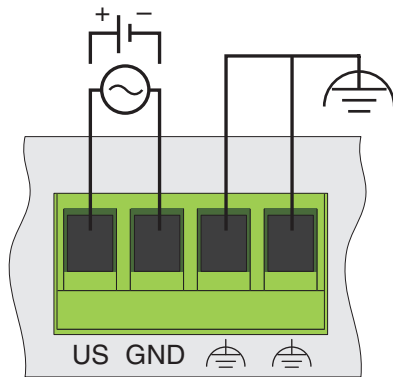


Figure 2 Power connections

Use power conductors between 0.2 - 2.5 mm² (24 - 12 AWG). Torque connection screws to 0.5 - 0.6 Nm (5 - 7 lb-in.).

6.4 Ethernet Interface

The FL SWITCH SFN...24VAC has five/eight Ethernet ports on the front in RJ45 format to which only twisted-pair cables with an impedance of 100 Ω can be connected. The data transmission speed is 10/100 Mbps. In addition, every port has an auto crossing function: it is not necessary to make a distinction between 1:1 or crossover Ethernet cables.

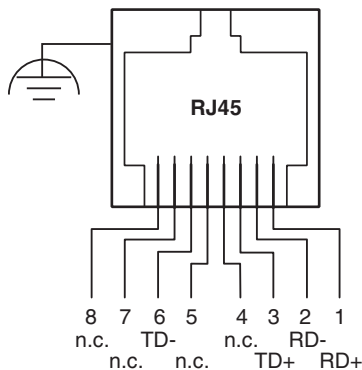


Figure 3 RJ45 pin assignment

7 Switching Characteristics

- Store and Forward

All data telegrams received by the switch are saved and their validity checked. Invalid or faulty data packets (> 1522 bytes or CRC errors) and fragments (< 64 bytes) are rejected. Valid data telegrams are forwarded by the switch. The switch always forwards the data using the data transmission speed that is used in the destination network segment.

- Multi-Address Function

The switch independently learns the addresses for termination devices, which are connected via a port, by evaluating the source addresses in the data telegrams. Only packets with unknown addresses, with a source address of this port or with a multicast/broadcast address in the destination address field are forwarded via the corresponding port. The switch can store addresses in its address table with an aging time of 5 minutes. This is important when more than one termination device is connected to one or more ports. In this way, several independent subnetworks can be connected to one switch.



A restart deletes the entire address table.

- Quality of Service (QoS): IEEE 802.1P/Q

The FL SWITCH SFN...-24VAC switches are capable of reading Ethernet packets that have already been assigned a priority level by a managed switch. In cases of heavy traffic, packets with a priority level between 4 and 7 are considered high priority and processed before packets with a priority level between 0 and 3. After prioritization the packets are forwarded without modification.

8 Dimensions

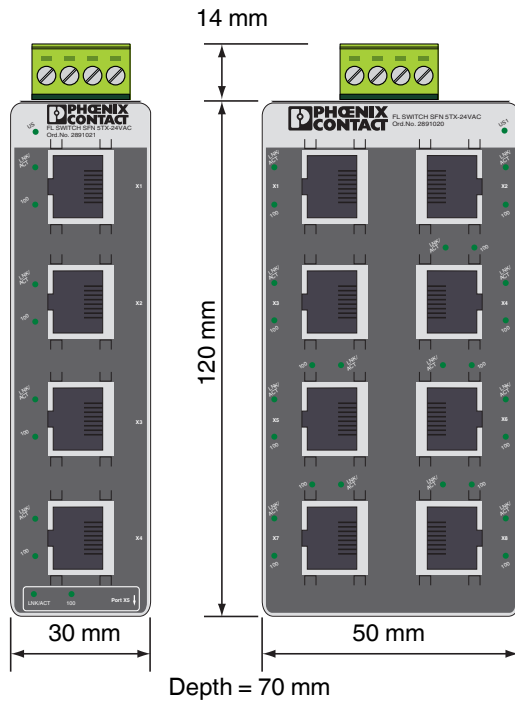


Figure 4 Housing dimensions