

isc Triacs

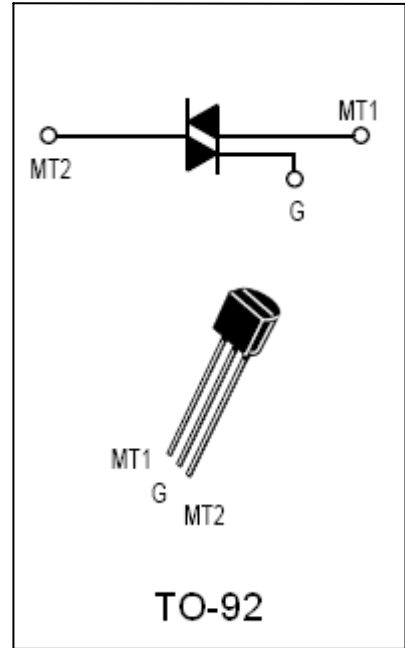
BT131-500

FEATURES

- With TO-92 package
- Glass passivated, sensitive gate triacs in a plastic envelope
- Intended for use in general purpose bidirectional switching and phase control applications.
- These devices are intended to be interfaced directly to microcontrollers, logic intergrated circuits and other low power gate trigger circuit.

ABSOLUTE MAXIMUM RATINGS(Ta=25°C)

SYMBOL	PARAMETER	MIN	UNIT
V _{DRM}	Repetitive peak off-state voltage	500	V
V _{RRM}	Repetitive peak off-state voltage	500	V
I _{T(RMS)}	RMS on-state current (full sine wave) T _{lead} ≤ 51°C	1	A
I _{TSM}	Non-repetitive peak on-state current	16	A
P _{GM}	Peak gate power dissipation	5	W
P _{G(AV)}	Average gate power dissipation	0.5	W
T _j	Operating junction temperature	110	°C
T _{stg}	Storage temperature	-45~150	°C



ELECTRICAL CHARACTERISTICS (T_c=25°C unless otherwise specified)

SYMBOL	PARAMETER	CONDITIONS	MIN	MAX	UNIT
V _{DRM}	Repetitive peak off-state voltage	I _D =0.1mA	500		V
V _{RRM}	Repetitive peak reverse voltage	I _D =0.5mA	500		V
I _D	Off-state leakage current	V _D = V _{DRM(max)} , T _j = 125°C		0.5	mA
I _{GT}	Gate trigger current	V _D =12V; I _T = 0.1A	I	3	mA
			II	3	
			III	3	
			IV	7	
V _{TM}	On-state voltage	I _T =1.6A		1.6	V
I _H	Holding current	I _{GT} =0.1A, V _D = 12V		5	mA
V _{GT}	Gate trigger voltage	V _D =12V ; R _L =100 Ω all quadrant		1.5	V