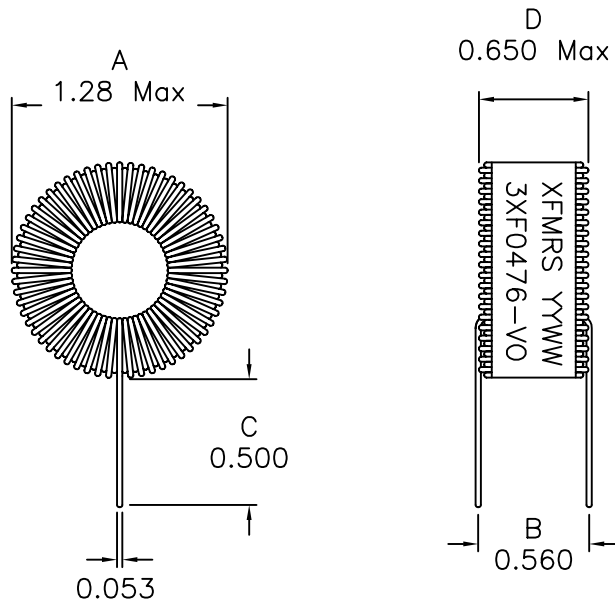


1. Mechanical Dimensions:



*Tinned length is the same as the lead length.

2. Schematic:



3. Electrical Specifications:

- Inductance: 47uH±15% @1KHz 1.0V, 0Adc
- Inductance: 29uH±15% @1KHz 1.0V, 10.7Adc
- Current Rating: 10.7Adc
- DC Resistance: 0.016 Ohms Max

Notes:

1. Solderability: Leads shall meet MIL-STD-202, Method 208D for solderability.
2. Flammability: UL94V-0
3. ASTM oxygen index: > 28%
4. Insulation System: Class F 155°C. UL file E151556
5. Operating Temperature Range: All listed parameters are to be within tolerance from -55°C to +125°C
6. Storage Temperature Range: -55°C to +125°C
7. Aqueous wash compatible
8. Electrical and mechanical specifications 100% tested
9. RoHS Compliant Component

DOC REV: A/1

XFMRS Inc www.XFMRS.com	Title: Toroid Inductor		
	UNLESS OTHERWISE SPECIFIED	P/N: 3XF0476-VO	REV. A
TOLERANCES: .xxx ±0.010	DWN.	Xiany	Apr-21-09
Dimensions in INCH	CHK.	YK Liao	Apr-21-09
SHEET 1 OF 1	APP.	BW	Apr-21-09