

Interface module - DFLK-D37 SUB/F/FKCT - 2903069


Please be informed that the data shown in this PDF Document is generated from our Online Catalog. Please find the complete data in the user's documentation. Our General Terms of Use for Downloads are valid (<http://phoenixcontact.com/download>)



The VARIOFACE feed-through module implements a 1:1 connection between plug-in push-in spring-cage connection terminal blocks and a D-SUB miniature socket strip (number of positions: 37). A separate ground tap is available.

RoHS

Key Commercial Data

Packing unit	1 STK
GTIN	 4 046356 709477
GTIN	4046356709477

Technical data

Dimensions

Width	36.5 mm
Height	128.4 mm
Depth	46 mm

Ambient conditions

Ambient temperature (operation)	-20 °C ... 50 °C
Ambient temperature (storage/transport)	-20 °C ... 70 °C

General

Max. perm. operating voltage	25 V AC 60 V DC
Max. perm. current (per branch)	2.5 A
Max. permissible current (all branches)	50 A (at T _A = 50°C)
Number of positions	37
Mounting position	any
Assembly instructions	In rows with zero spacing
Degree of protection	IP20

Connection data for connection 1

Interface module - DFLK-D37 SUB/F/FKCT - 2903069

Technical data

Connection data for connection 1

Connection name	Field level
Connection method	Plug-in push-in spring-cage connection
Stripping length	10 mm
Conductor cross section solid	0.2 mm ² ... 2.5 mm ²
Conductor cross section flexible	0.2 mm ² ... 2.5 mm ²
Conductor cross section AWG	24 ... 12

Connection data for connection 2

Connection name	Controller level
Connection method	D-SUB socket strip
Number of positions	37

Standards and Regulations

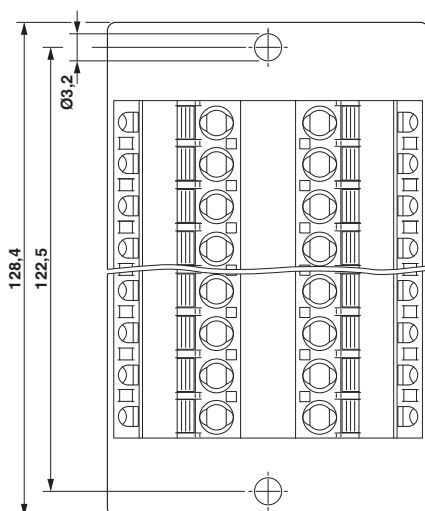
Connection in acc. with standard	CUL
Standards/regulations	DIN EN 50178
	IEC 60664
Rated insulation voltage	125 V
Rated surge voltage	1.2 kV (Functional insulation)
Degree of pollution	2
Overvoltage category	II

Environmental Product Compliance

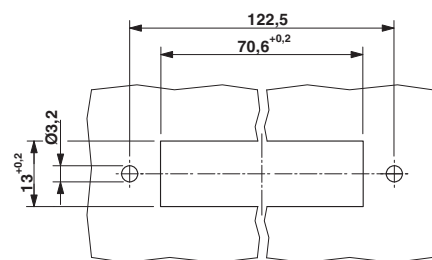
China RoHS	Environmentally Friendly Use Period = 50
	For details about hazardous substances go to tab "Downloads", Category "Manufacturer's declaration"

Drawings

Dimensional drawing

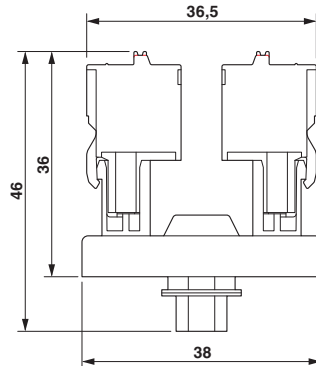


Dimensional drawing



Interface module - DFLK-D37 SUB/F/FKCT - 2903069

Dimensional drawing



Approvals

Approvals

Approvals

UL Recognized / cUL Recognized / EAC / cULus Recognized

Ex Approvals

Approval details

UL Recognized		http://database.ul.com/cgi-bin/XYV/template/LISEXT/1FRAME/index.htm	FILE E 238705
Nominal voltage UN		125 V	
Nominal current IN		1 A	
mm ² /AWG/kcmil		30-12	

cUL Recognized		http://database.ul.com/cgi-bin/XYV/template/LISEXT/1FRAME/index.htm	FILE E 238705
Nominal voltage UN		125 V	
Nominal current IN		1 A	
mm ² /AWG/kcmil		30-12	

EAC		RU C- DE.A*30.B.01742
-----	--	--------------------------

Interface module - DFLK-D37 SUB/F/FKCT - 2903069

Approvals

cULus Recognized



<http://database.ul.com/cgi-bin/XYV/template/LISEXT/1FRAME/index.htm>

Phoenix Contact 2018 © - all rights reserved
<http://www.phoenixcontact.com>

PHOENIX CONTACT GmbH & Co. KG
Flachsmarktstr. 8
32825 Blomberg
Germany
Tel. +49 5235 300
Fax +49 5235 3 41200
<http://www.phoenixcontact.com>