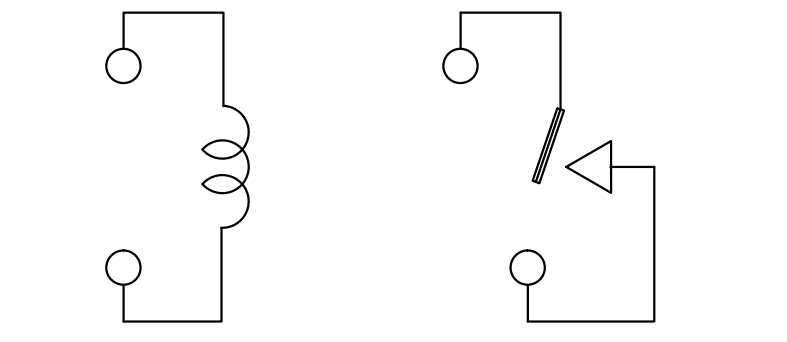
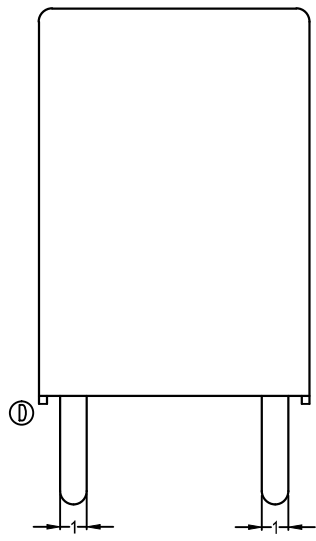
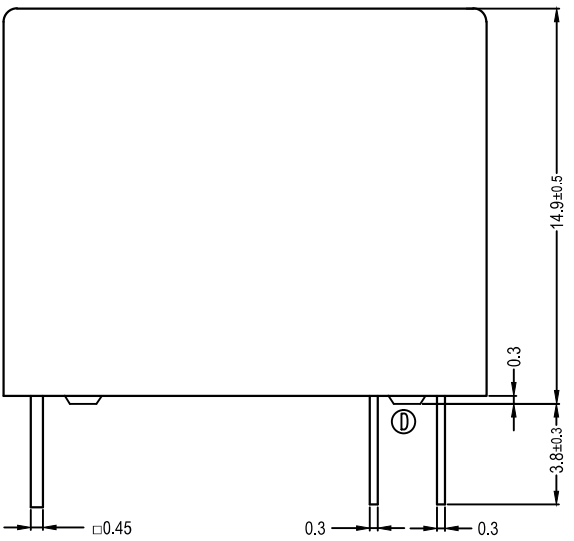
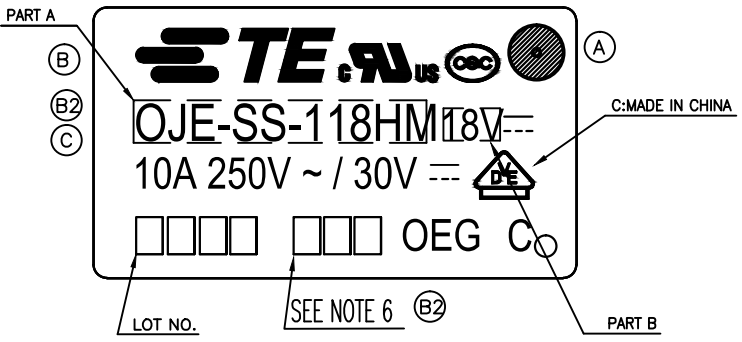


THIS DRAWING IS UNPUBLISHED. RELEASED FOR PUBLICATION
 © COPYRIGHT By - TE CONNECTIVITY ALL RIGHTS RESERVED.

LOC	DIST	REVISIONS			
P	LTR	DESCRIPTION	DATE	D/WN	APVD
HB	-				
	D	REMOVED THE RIB ON THE BASE T O CASE ECO-15-011310	29Feb2016	HYS	CHL



CONNECTION FIGURE

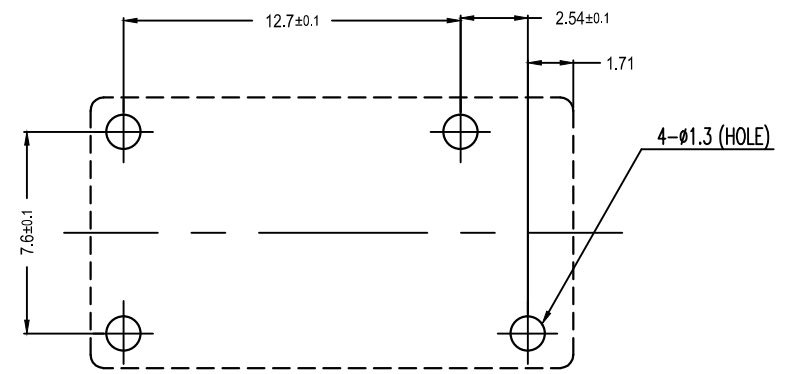
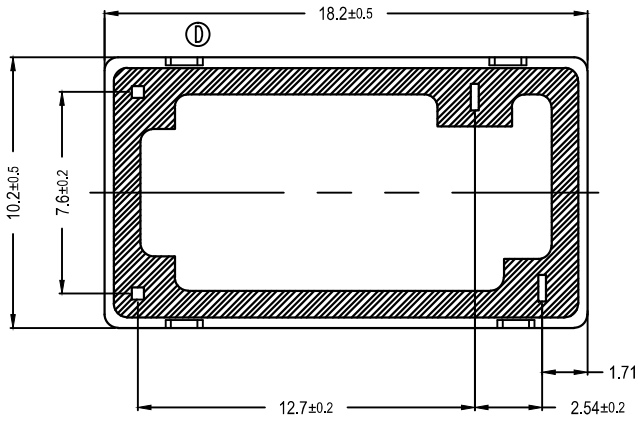


FIGURE FOR PRINTED CIRCUIT BOARD PROCESSING (BOTTOM VIEW)



THIS DRAWING IS A CONTROLLED DOCUMENT.		DWN	H.SASAKI	
DIMENSIONS: mm		CHK	Y.OIKAWA	
TOLERANCES UNLESS OTHERWISE SPECIFIED:		APVD	A.NAGAI	NAME
0 PLC ± -		PRODUCT SPEC	SEE PRODUCT SPEC	
1 PLC ± -		APPLICATION SPEC	-	
2 PLC ± -		SIZE	A3	RESTRICTED TO
3 PLC ± -		CAGE CODE	00779	
4 PLC ± -		DRAWING NO	1461402	
ANGLES ± -		WEIGHT		
MATERIAL	FINISH	CUSTOMER DRAWING		
		SCALE	5:1	SHEET 1 OF 2
		REV	D	



OJE-SH-HM CUSTOMER DRAWING

THIS DRAWING IS UNPUBLISHED. RELEASED FOR PUBLICATION
 © COPYRIGHT By - TE CONNECTIVITY ALL RIGHTS RESERVED.

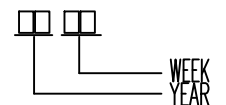
LOC	DIST	REVISIONS					
HB	-	P	LTR	DESCRIPTION	DATE	DWN	APVD
		-		SEE SHEET 1	-	-	-

ⓑ	1461402-1	OJE-SH-148HM	107-79010	48V	OJE-SH-148HM	g
	1461402-2	OJE-SH-124HM	107-79010	24V	OJE-SH-124HM	f
	1461402-6	OJE-SH-112HM	107-79010	12V	OJE-SH-112HM	e
ⓑ	1461402-3	OJE-SH-109HM	107-79010	9V	OJE-SH-109HM	d
ⓑ	1461402-5	OJE-SH-106HM	107-79010	6V	OJE-SH-106HM	c
	1461402-4	OJE-SH-105HM	107-79010	5V	OJE-SH-105HM	b
ⓑ	1461402-7	OJE-SH-103HM	107-79010	3V	OJE-SH-103HM	a
	TE CONNECTIVITY PART NO	TE CONNECTIVITY TYPE NAME	PACKAGE SPEC.	PART B	PART A	TYPE

RELAY TYPE

ⓑ ⓐ NOTES:

1.LOT NO. SYSTEM AS FOLLOWING:

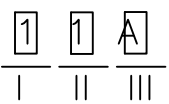


ⓑ 2.TERMINAL DIMENSION IS BEFORE SOLDER DIP;

ⓑ 3.FOR THE TIN-PLATING OF THE PINS:
 +0.1mm FOR WIDTH,THICKNESS AND DIAMETER.
 +0.5mm FOR LENGTH.

Ⓒ ⓑ 4.MARKING FROM INK TO LASER AND USING WELDED CONTACT

ⓑ 5.ADD LOT NO. SYSTEM AS FOLLOWING;



I, DIGITS FOR DAY OF THE WEEK
 1...MONDAY IN THIS WEEK;
 2...TUESDAY IN THIS WEEK;

 7...SUNDAY IN THIS WEEK
 II, DIGITS FOR SHIFT OF THE DAY
 1...DAY SHIFT IN THIS DAY;
 2...NIGHT SHIFT IN THIS DAY;
 III, ONE CHARACTER DISTINGUISH THE LINE IDENTITY,
 SUCH AS: A,B.....Z

		UV RESIN	SEAL (VENT HOLE)	16
		EPOXY RESIN	SEAL (BASE & BOBBIN)	15
		JUEW	MAGNETIC WIRE	14
94V-0		P.B.T	CASE	13
94V-0		P.B.T	BASE	12
94V-0		P.B.T	BOBBIN	11
	SOLDER DIP	C.P WIRE	COIL TERMINAL	10
94V-0		P.P.S	CARD	9
		Ag ALLOY	MOVABLE CONTACT	8
		Ag	NO.CONTACT	7
		STEEL	HINGE SPRING	6
	SOLDER DIP	PBP	NO.TERMINAL	5
	SOLDER DIP	Cu ALLOY	MOVABLE SPRING	4
	NIP	STEEL	CORE	3
	NIP	STEEL	ARMATURE	2
	NIP	STEEL	YOKE	1
INCOMBUSTIBILITY	TREATMENT	MATERIAL	DESCRIPTION	ITEM

THIS DRAWING IS A CONTROLLED DOCUMENT.		DWN	H.SASAKI	-
DIMENSIONS: mm		CHK	Y.OIKAWA	-
TOLERANCES UNLESS OTHERWISE SPECIFIED:		APVD	A.NAGAI	-
0 PLC ± -		PRODUCT SPEC	NAME	
1 PLC ± -		SEE PRODUCT SPEC		
2 PLC ± -		APPLICATION SPEC	-	
3 PLC ± -		SIZE CAGE CODE DRAWING NO RESTRICTED TO		
4 PLC ± -		A3 00779 C= 1461402 -		
ANGLES ± -		SCALE 5:1 SHEET 2 OF 2 REV D		
MATERIAL	FINISH	CUSTOMER DRAWING		



OJE-SH-HM CUSTOMER DRAWING