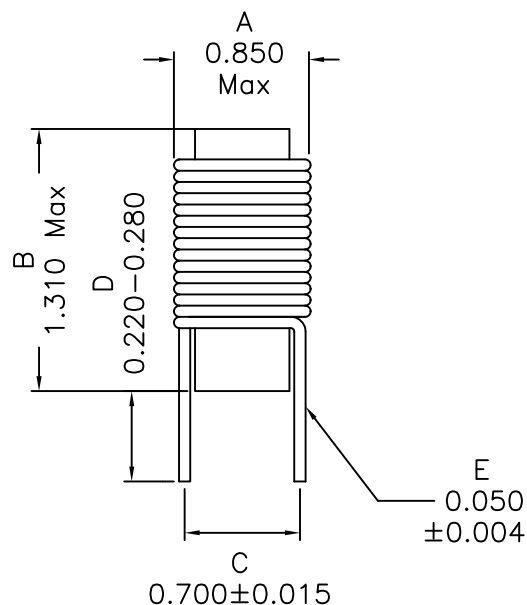
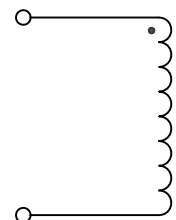


1. Mechanical Dimensions:



2. Schematic:



3. Electrical Specifications: @25°C

OCL: 47uH ±15% @15.75KHz, 0.1V

Q: 5.0 Min @15.75KHz, 0.1V

DCR: 0.022 Ohms Max

ISAT: 10.0A

Irms: 10.0A

ΔT: 40°C rise typ. at Irms (85°C ambient)

Inductance drop =10% typ. at Isat.

Notes:

- Solderability: Leads shall meet MIL-STD-202G, Method 208H for solderability.
- Flammability: UL94V-0
- ASTM oxygen index: > 28%
- Insulation System: Class F 155°C. UL file E151556
- Operating Temperature Range: All listed parameters are to be within tolerance from -40°C to +85°C
- Storage Temperature Range: -55°C to +125°C
- Aqueous wash compatible
- Electrical and mechanical specifications 100% tested
- RoHS Compliant Component

DOC. REV: A/2

XFMRs Inc www.XFMRs.com	Title: POWER CHOKES		
	UNLESS OTHERWISE SPECIFIED TOLERANCES: N/A Dimensions in INCH	P/N: XFRLVO-473	REV. A
SHEET 1 OF 1	DWN.	Yuan	Aug-01-14
	CHK.	YK Liao	Aug-01-14
	APP.	BW	Aug-01-14

PROPRIETARY

Document is the property of XFMRs Group & is not allowed to be duplicated without authorization.