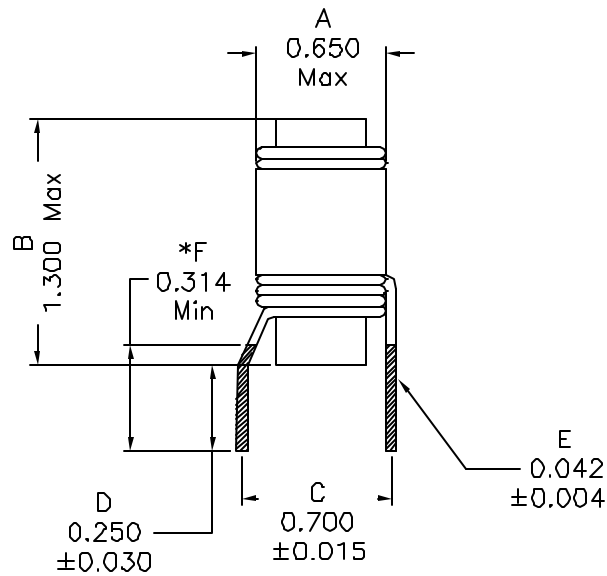
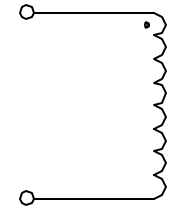


1. Mechanical Dimensions:



2. Schematic:



3. Electrical Specifications: @25°C

OCL: 150uH ±10% @15.75KHz, 0.1V

Q: 5 Min @15.75KHz, 0.1V

DCR: 0.065 Ohms Max

ISAT: 5.0A

Irms: 5.0A

ΔT: 40°C rise typ. at Irms (85°C ambient)

Inductance drop =10% typ. at Isat.

Notes:

1. Solderability: Leads shall meet MIL-STD-202G, Method 208H for solderability.
2. Flammability: UL94V-0
3. ASTM oxygen index: > 28%
4. Insulation System: Class F 155°C. UL file E151556
5. Operating Temperature Range: All listed parameters are to be within tolerance from -40°C to +85°C
6. Storage Temperature Range: -55°C to +125°C
7. Aqueous wash compatible
8. Electrical and mechanical specifications 100% tested
9. RoHS Compliant Component
10. * Dim F - must be tinned above the mounting plane.

DOC. REV: A/3

XFMRs Inc www.XFMRs.com		Title: POWER CHOKES	
UNLESS OTHERWISE SPECIFIED TOLERANCES: N/A Dimensions in INCH	P/N: XFRLVO-151K	REV. A	
	DWN.	Mei Chen	Aug-12-10
	CHK.	YK Liao	Aug-12-10
SHEET 1 OF 1	APP.	Joe Huff	Aug-12-10