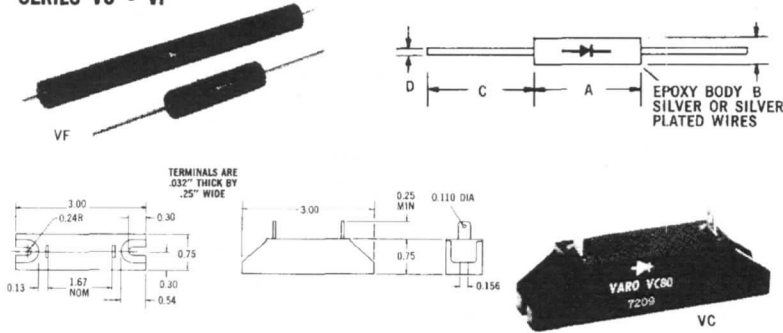


HIGH VOLTAGE DIFFUSED SILICON POWER RECTIFIERS

SERIES VC • VF



Case Style	A	B	C	D
VF	1.000	.250	1.500	.032
VF*	2.000	.300	1.500	.032
VF*	3.000	.300	1.500	.032

*Ferrule End Caps Available.

SERIES VF

Part No.	Peak Rep. Reverse Voltage (V _{RRM}) (KV)	Max. Fwd. Voltage Drop @ 25°C and I _o V _{FM} (Volts)	Case Style	Avg. Fwd. Current I _o @ 40°C (mA)	PRICING	
					1-99	100-999
VF5-5	5	12	A	5	\$1.60	\$1.08
VF5-7	7	12	A	5	1.71	1.15
VF5-10	10	18	A	5	1.96	1.32
VF5-12	12	18	A	5	2.22	1.49
VF5-15	15	35	B	5	2.30	1.55
VF5-20	20	35	B	5	2.97	2.00
VF5-25	25	35	B	5	3.72	2.50
VF5-30	30	50	C	5	4.46	3.00
VF5-40	40	50	C	5	5.95	4.00
VF5-5X	5	15	A	5	1.77	1.19
VF5-7X	7	15	A	5	1.89	1.27
VF5-10X	10	30	A	5	2.16	1.45
VF5-12X	12	30	A	5	2.44	1.64
VF5-15X	15	60	B	5	2.54	1.71
VF5-20X	20	60	B	5	3.27	2.20
VF5-25X	25	60	B	5	4.09	2.75
VF5-30X	30	90	C	5	4.91	3.30
VF5-40X	40	90	C	5	6.54	4.40
VF10-5	5	12	A	10	1.77	1.50
VF10-7	7	12	A	10	1.89	1.50
VF10-10	10	18	A	10	2.16	1.83
VF10-12	12	18	A	10	2.44	2.07
VF10-15	15	35	B	10	2.54	2.15
VF10-20	20	35	B	10	3.27	2.77
VF10-25	25	35	B	10	4.09	3.47
VF10-30	30	50	C	10	4.91	4.16
VF10-40	40	50	C	10	6.54	5.54
VF10-5X	5	15	A	10	1.95	1.65
VF10-7X	7	15	A	10	2.08	1.76
VF10-10X	10	30	A	10	2.38	2.02
VF10-12X	12	30	A	10	2.68	2.27
VF10-15X	15	60	B	10	2.80	2.37
VF10-20X	20	60	B	10	3.60	3.05
VF10-25X	25	60	B	10	4.51	3.82
VF10-30X	30	90	C	10	5.39	4.57
VF10-40X	40	90	C	10	7.20	6.10
VF25-5	5	12	A	25	1.95	1.65
VF25-7	7	12	A	25	2.08	1.76
VF25-10	10	18	A	25	2.38	2.02
VF25-12	12	18	A	25	2.68	2.27
VF25-15	15	35	B	25	2.80	2.37
VF25-20	20	35	B	25	3.60	3.05
VF25-25	25	35	B	25	4.51	3.82
VF25-30	30	50	C	25	5.39	4.57
VF25-40	40	50	C	25	7.20	6.10
VF25-5X	5	15	A	25	2.14	1.81
VF25-7X	7	15	A	25	2.29	1.94
VF25-10X	10	30	A	25	2.62	2.22
VF25-12X	12	30	A	25	2.94	2.49
VF25-15X	15	60	B	25	3.08	2.61
VF25-20X	20	60	B	25	3.95	3.35
VF25-25X	25	60	B	25	4.98	4.20
VF25-30X	30	90	C	25	5.94	5.03
VF25-40X	40	90	C	25	7.91	6.70

SERIES VC

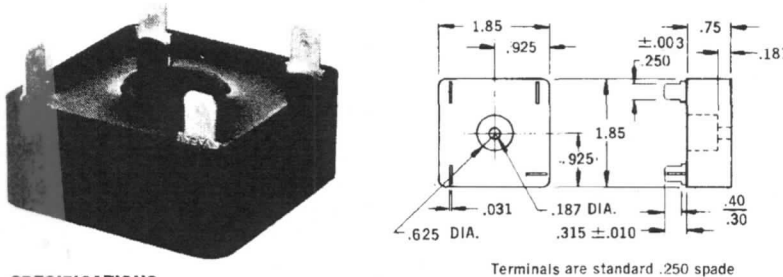
Part No.	Peak Rep. Reverse Voltage (Volts)	Avg. Fwd. Current I _o @ 40°C (Amps)	Max. Fwd. Voltage Drop @ 25°C & I _o V _{FM} (Volts)	PRICING	
				1-99	100-999
VC20	2,000	2	4	\$5.20	\$4.00
VC30	3,000	2	4	5.52	4.25
VC40	4,000	2	4	5.85	4.50
VC50	5,000	1.5	6	6.18	4.75
VC60	6,000	1.5	6	6.50	5.00
VC70	7,000	1.5	8	6.82	5.25
VC80	8,000	1	8	7.15	5.50
VC20X	2,000	2	4.8	5.98	4.60
VC30X	3,000	2	7.2	6.34	4.88
VC40X	4,000	2	9.6	6.72	5.17
VC50X	5,000	1.5	12.0	7.10	5.45
VC60X	6,000	1.5	14.4	7.47	5.75
VC70X	7,000	1.5	14.4	7.85	6.03
VC80X	8,000	1	16.8	8.22	6.32

NOTES:

- Suffix (X) denotes Fast Recovery Series.
- Maximum lead and terminal temperature for soldering, 3/8 inch from case, 5 seconds at 250°C.
- If operated over 10,000 V/inch in length, devices should be immersed in oil or re-encapsulated.

Write for Data Sheet DLS-030

HIGH VOLTAGE SILICON FULL WAVE BRIDGES



SPECIFICATIONS

I _{FSM} Peak Surge Current, 1/2 Cycle @ 60 Hz	20 Amps
Storage Temperature Range	-30°C to 150°C
Operating Temperature Range	-30°C to 100°C

Part No.	V _{RRM} (KV)	Avg. Fwd. Current, I _o @ T _A = 50°C (mA)	PRICING	
			1-99	100-999
H439	2	1500	\$7.62	\$6.35
H440	4	650	8.28	6.90
H441	6	650	8.98	7.48
H442	8	500	9.43	7.86
H443	10	500	9.79	8.16

