

Universal Serial Bus Power Controller

FEATURES

- Fully USB Compliant
- Support Four 5V Peripherals and One USB 3.3V Controller
- Separate Power Enables
- 500mA Current Limiting per Channel
- Separate Open Drain Fault Indicator for Each Channel
- 3.3V Output for USB Controller
- Available in 20 Pin DIP

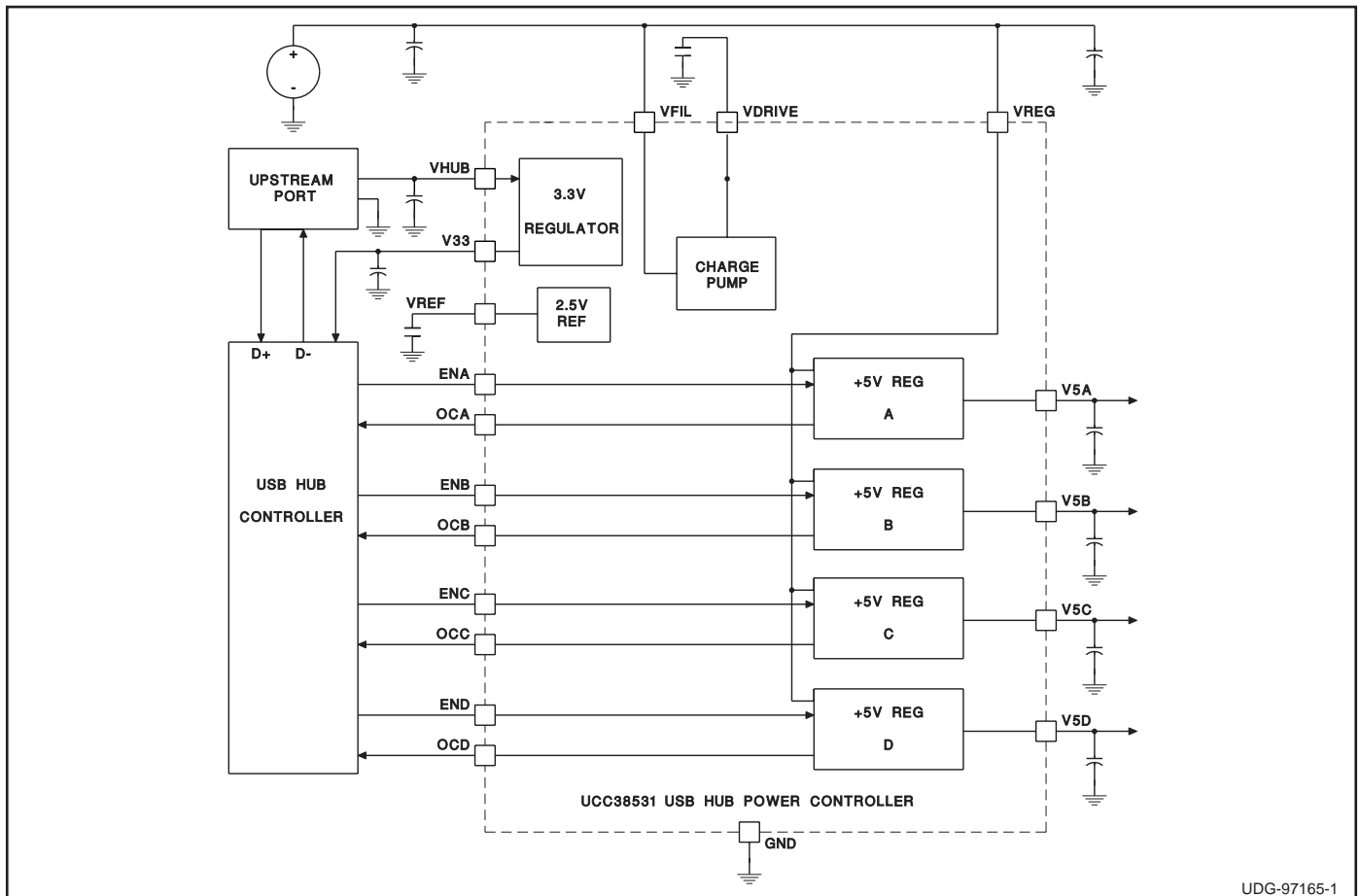
DESCRIPTION

The UCC38531 Power Controller is designed to provide a self powered USB hub with a local 3.3V regulated voltage and four 5V regulated voltages for USB ports. Each of the 5V output ports is individually enabled for optimal port control. Each port also provides an overcurrent fault signal indicating that the port has exceeded a 500mA current limit. The 3.3V linear regulator is used to power the local USB microcontroller. This regulator is protected with a 100mA current limit.

The UCC38531 is configured by connecting the VREG to a regulated 5.5V 2A source.

The 20-pin DIP package is protected by internal over-temperature shutdown mechanism, which disables the outputs should the internal junction temperature exceed 150°C.

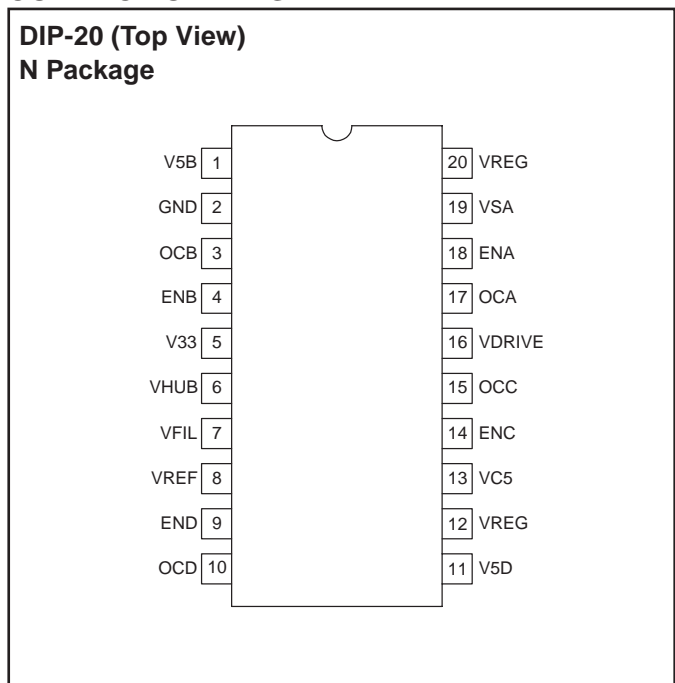
APPLICATION AND BLOCK DIAGRAM



ABSOLUTE MAXIMUM RATINGS

VFIL 9V
VCON Supply Voltage 9V
Logic Inputs (ENA-D)
 Maximum Forced Voltage -0.3V to 7V
 Maximum Forced Current ±1mA
V33
 Maximum Forced Voltage 5V
 Maximum Current 200mA
V5A-D
 Maximum Voltage 9V
 Maximum Current 750mA
Storage Temperature -65°C to +150°C
Junction Temperature -55°C to +150°C
Lead Temperature (Soldering, 10 sec.) +300°C
*Unless otherwise indicated, voltages are reference to ground.
Pulsed is defined as a less than 10% duty cycle with a maximum
duration of 500µS. Currents are positive into, negative out of the
specified terminal. All voltages are with respect to ground. Con-
sult Packaging Section of Databook for thermal limitations and
considerations of packages.*

CONNECTION DIAGRAM



ELECTRICAL CHARACTERISTICS Unless otherwise specified, T_J = 0°C to 125°C for the UCC38531. VFIL = 6.5V, VHUB = 5V. T_A = T_J.

PARAMETER	TEST CONDITIONS	MIN	TYP	MAX	UNITS
Input Supply Currents					
VHUB Supply Current	No External Load on V33		1	3	mA
VFIL Supply Current			1	3	mA
Reference					
VREF Voltage	Over Temperature	2.35	2.5	2.65	V
Line Regulation	VHUB = 4.5V to 9V		3	10	mV
3.3V Regulator					
V33 Voltage	T _J = 25°C, I _{LOAD} = 10mA	3.2	3.3	3.4	V
	0mA to 100mA, 0°C to 125°C, VHUB = 4.5V to 9V	3.165	3.3	3.435	V
Short Circuit Current Limit	VHUB = 6V, Output shorted to Ground	100	120	150	mA
5V Regulator					
V5A-D Voltage	T _J = 25°C, I _{LOAD} = 250mA, VREG = 5.5V	4.85	5	5.15	V
	0mA to 500mA, 0°C to 125°C	4.8	5	5.2	V
Short Circuit Current Limit	VREG = 5.5V, Output Shorted to Ground	500	600	750	mA
Charge Pump					
Quiescent Output Voltage	T _J = 25°C, VFIL = 6V, ENA-D = 5V, ENHUB = 5V	11	11.45	12	V
	0°C to 125°C, VFIL = 6V	10.5	11.45	12	V
Output Impedance			9	15	kΩ
Enable Inputs					
ENA-D Inputs - Guaranteed Low				0.7	V
ENA-D Inputs - Guaranteed High		3			V
Overcurrent Signals					
Active Sink Current	I _{OCX} = 100µA		140	500	mV

PIN DESCRIPTIONS

ENA-D: Separate enables pins for each of the four 5V supplies.

GND: All voltages are measured with respect to this pin. Bypass capacitors should be connected to GND as close to this pin as possible.

OCA-D: Open drain overcurrent indicator. OCA-D can be wire OR'ed by the user to create a single overcurrent indicator.

V5A-D: 5V regulated output with enable, 500mA (minimum) current limit, and overcurrent indicator.

V33: 3.3V regulator output. Current limit is 100mA minimum.

VDRIVE: Internal charge pump voltage is brought out

for external decoupling. Nominal voltage is between 11V and 13V. No external loading permitting. Decouple with at least 0.001 μ F capacitor.

VFIL: Bias supply for all four of the 5V regulators. VFIL voltage must be between 6V and 9V.

VHUB: Supply for the 3.3V USB controller power supply and bandgap reference.

VREF: Internal 2.5V reference is brought out for external decoupling only. Decouple with 0.01 μ F capacitor.

VREG: Input supply for all four 5V regulators. 2 pins supply up to a total of 2.5A to the four 5V bus voltages (V5A, V5B, V5C, V5D). Can be tied directly to VFIL.

PACKAGING INFORMATION

Orderable Device	Status ⁽¹⁾	Package Type	Package Drawing	Pins	Package Qty	Eco Plan ⁽²⁾	Lead/Ball Finish	MSL Peak Temp ⁽³⁾
UCC38531N	OBSOLETE	PDIP	N	20		TBD	Call TI	Call TI

⁽¹⁾ The marketing status values are defined as follows:

ACTIVE: Product device recommended for new designs.

LIFEBUY: TI has announced that the device will be discontinued, and a lifetime-buy period is in effect.

NRND: Not recommended for new designs. Device is in production to support existing customers, but TI does not recommend using this part in a new design.

PREVIEW: Device has been announced but is not in production. Samples may or may not be available.

OBSOLETE: TI has discontinued the production of the device.

⁽²⁾ Eco Plan - The planned eco-friendly classification: Pb-Free (RoHS), Pb-Free (RoHS Exempt), or Green (RoHS & no Sb/Br) - please check <http://www.ti.com/productcontent> for the latest availability information and additional product content details.

TBD: The Pb-Free/Green conversion plan has not been defined.

Pb-Free (RoHS): TI's terms "Lead-Free" or "Pb-Free" mean semiconductor products that are compatible with the current RoHS requirements for all 6 substances, including the requirement that lead not exceed 0.1% by weight in homogeneous materials. Where designed to be soldered at high temperatures, TI Pb-Free products are suitable for use in specified lead-free processes.

Pb-Free (RoHS Exempt): This component has a RoHS exemption for either 1) lead-based flip-chip solder bumps used between the die and package, or 2) lead-based die adhesive used between the die and leadframe. The component is otherwise considered Pb-Free (RoHS compatible) as defined above.

Green (RoHS & no Sb/Br): TI defines "Green" to mean Pb-Free (RoHS compatible), and free of Bromine (Br) and Antimony (Sb) based flame retardants (Br or Sb do not exceed 0.1% by weight in homogeneous material)

⁽³⁾ MSL, Peak Temp. -- The Moisture Sensitivity Level rating according to the JEDEC industry standard classifications, and peak solder temperature.

Important Information and Disclaimer:The information provided on this page represents TI's knowledge and belief as of the date that it is provided. TI bases its knowledge and belief on information provided by third parties, and makes no representation or warranty as to the accuracy of such information. Efforts are underway to better integrate information from third parties. TI has taken and continues to take reasonable steps to provide representative and accurate information but may not have conducted destructive testing or chemical analysis on incoming materials and chemicals. TI and TI suppliers consider certain information to be proprietary, and thus CAS numbers and other limited information may not be available for release.

In no event shall TI's liability arising out of such information exceed the total purchase price of the TI part(s) at issue in this document sold by TI to Customer on an annual basis.

IMPORTANT NOTICE

Texas Instruments Incorporated and its subsidiaries (TI) reserve the right to make corrections, modifications, enhancements, improvements, and other changes to its products and services at any time and to discontinue any product or service without notice. Customers should obtain the latest relevant information before placing orders and should verify that such information is current and complete. All products are sold subject to TI's terms and conditions of sale supplied at the time of order acknowledgment.

TI warrants performance of its hardware products to the specifications applicable at the time of sale in accordance with TI's standard warranty. Testing and other quality control techniques are used to the extent TI deems necessary to support this warranty. Except where mandated by government requirements, testing of all parameters of each product is not necessarily performed.

TI assumes no liability for applications assistance or customer product design. Customers are responsible for their products and applications using TI components. To minimize the risks associated with customer products and applications, customers should provide adequate design and operating safeguards.

TI does not warrant or represent that any license, either express or implied, is granted under any TI patent right, copyright, mask work right, or other TI intellectual property right relating to any combination, machine, or process in which TI products or services are used. Information published by TI regarding third-party products or services does not constitute a license from TI to use such products or services or a warranty or endorsement thereof. Use of such information may require a license from a third party under the patents or other intellectual property of the third party, or a license from TI under the patents or other intellectual property of TI.

Reproduction of TI information in TI data books or data sheets is permissible only if reproduction is without alteration and is accompanied by all associated warranties, conditions, limitations, and notices. Reproduction of this information with alteration is an unfair and deceptive business practice. TI is not responsible or liable for such altered documentation. Information of third parties may be subject to additional restrictions.

Resale of TI products or services with statements different from or beyond the parameters stated by TI for that product or service voids all express and any implied warranties for the associated TI product or service and is an unfair and deceptive business practice. TI is not responsible or liable for any such statements.

TI products are not authorized for use in safety-critical applications (such as life support) where a failure of the TI product would reasonably be expected to cause severe personal injury or death, unless officers of the parties have executed an agreement specifically governing such use. Buyers represent that they have all necessary expertise in the safety and regulatory ramifications of their applications, and acknowledge and agree that they are solely responsible for all legal, regulatory and safety-related requirements concerning their products and any use of TI products in such safety-critical applications, notwithstanding any applications-related information or support that may be provided by TI. Further, Buyers must fully indemnify TI and its representatives against any damages arising out of the use of TI products in such safety-critical applications.

TI products are neither designed nor intended for use in military/aerospace applications or environments unless the TI products are specifically designated by TI as military-grade or "enhanced plastic." Only products designated by TI as military-grade meet military specifications. Buyers acknowledge and agree that any such use of TI products which TI has not designated as military-grade is solely at the Buyer's risk, and that they are solely responsible for compliance with all legal and regulatory requirements in connection with such use.

TI products are neither designed nor intended for use in automotive applications or environments unless the specific TI products are designated by TI as compliant with ISO/TS 16949 requirements. Buyers acknowledge and agree that, if they use any non-designated products in automotive applications, TI will not be responsible for any failure to meet such requirements.

Following are URLs where you can obtain information on other Texas Instruments products and application solutions:

Products

Amplifiers	amplifier.ti.com
Data Converters	dataconverter.ti.com
DSP	dsp.ti.com
Clocks and Timers	www.ti.com/clocks
Interface	interface.ti.com
Logic	logic.ti.com
Power Mgmt	power.ti.com
Microcontrollers	microcontroller.ti.com
RFID	www.ti-rfid.com
RF/IF and ZigBee® Solutions	www.ti.com/lprf

Applications

Audio	www.ti.com/audio
Automotive	www.ti.com/automotive
Broadband	www.ti.com/broadband
Digital Control	www.ti.com/digitalcontrol
Medical	www.ti.com/medical
Military	www.ti.com/military
Optical Networking	www.ti.com/opticalnetwork
Security	www.ti.com/security
Telephony	www.ti.com/telephony
Video & Imaging	www.ti.com/video
Wireless	www.ti.com/wireless

Mailing Address: Texas Instruments, Post Office Box 655303, Dallas, Texas 75265
Copyright © 2008, Texas Instruments Incorporated