

NZ2520SHB

Low current consumption Type (32.768kHz)

Application

For Smartphone and Tablet computer etc.

Features

- Supports a wide temperature range from -40 to +125°C.
- Compact and light. Dimensions : 2.5 x 2.0 x 0.9 mm, weight : 0.02 g.
- Quick oscillation start up time(Typ. 1ms) is available compared to our Tuning Fork Crystal.
- Conforms to AEC-Q200.



Pb Free

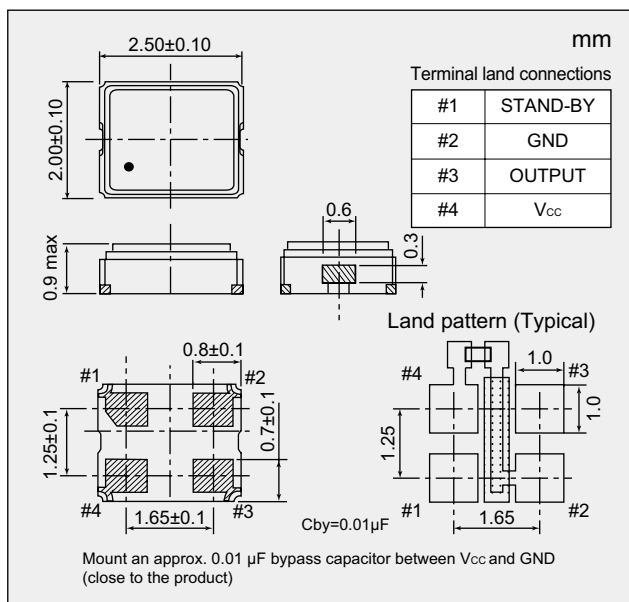
RoHS Compliant
Directive 2011/65/EU

Absolute maximum rating
Supply Voltage (V_{CC}) -0.3 to +4.5 V
Storage Temperature Range -55 to +125 °C

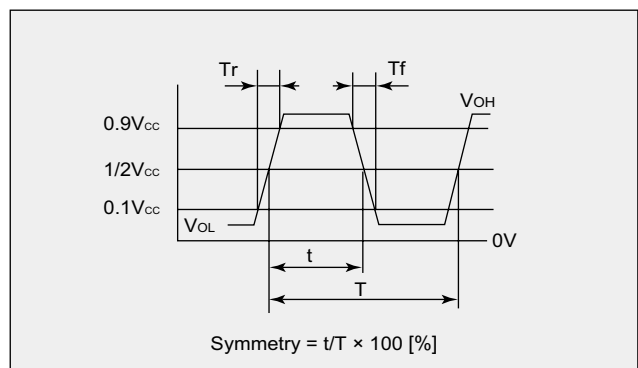
Specifications

Item	Model	NZ2520SHB		
Output		CMOS		
Nominal Frequency	(kHz)	32.768		
Overall Frequency Tolerance	(×10 ⁻⁶)	±100	±50	±30
Operating Temperature Range	(°C)	-40 to +125	-40 to +105	-40 to +85
Supply Voltage (V _{CC})	(V)	1.8 to +3.3		
Current Consumption Max.	During Operation	+25°C	18 (μA)	
	During Standby	+25°C	5 (μA)	
V _{OL} Max. / V _{OH} Min.	(V)	0.1 V _{CC} / 0.9 V _{CC}		
Tr Max. / Tf Max.	(ns)	50 / 50 (at 0.1V _{CC} to 0.9V _{CC})		
Symmetry Min. to Max.	(%)	45 to 55 (at 0.5V _{CC})		
Load (C _L) Max.	(pF)	15		
Start-up Time Max.	(ms)	4 (Typ. 1ms)		
Frequency Aging Max.	(×10 ⁻⁶)	±5 (+25°C, First year)		
Standby function		Available (Three-state)		

Dimensions



Output Waveform <CMOS>



Standby Function

#1 Input	#3 Output
Level H ($0.7 V_{CC} \leq V_{IH} \leq V_{CC}$) or OPEN is selected.	Oscillation output ON
Level L ($V_{IL} \leq 0.3 V_{CC}$) is selected.	High impedance

Crystal Clock Oscillator **NEW**



NZ2520SHB

Low current consumption Type (32.768kHz)

■ Specification Number

Overall Frequency Tolerance	Operating Temperature Range (°C)	Supply Voltage (V)			
		+1.8±0.18	+2.5±0.25	+3.0±0.3	+3.3±0.33
±100 × 10 ⁻⁶	-40 to +125	NSC5135A	NSC5135B	NSC5135C	NSC5135D
±50 × 10 ⁻⁶	-40 to +105	NSC5136A	NSC5136B	NSC5136C	NSC5136D
±30 × 10 ⁻⁶	-40 to +85	NSC5137A	NSC5137B	NSC5137C	NSC5137D

Please specify the model name, frequency, and specification number when you order products.
For further questions regarding specifications, please feel free to contact us.