



# FLA-YCON00001

Flexi Loop

SAFE SERIES CONNECTION

**SICK**  
Sensor Intelligence.



### Ordering information

Type	Part no.
FLA-YCON00001	2074733

Other models and accessories → [www.sick.com/Flexi\\_Loop](http://www.sick.com/Flexi_Loop)



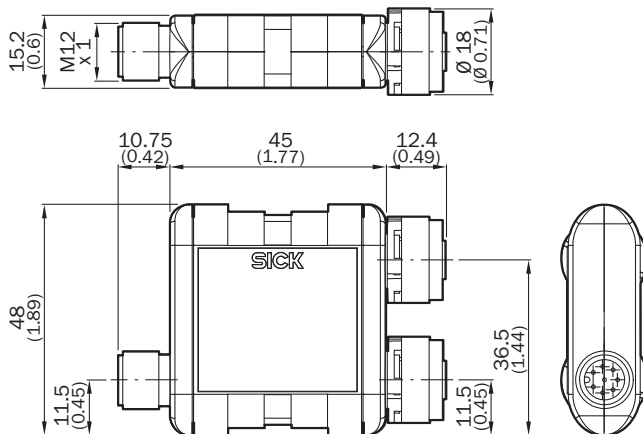
### Detailed technical data

#### Classifications

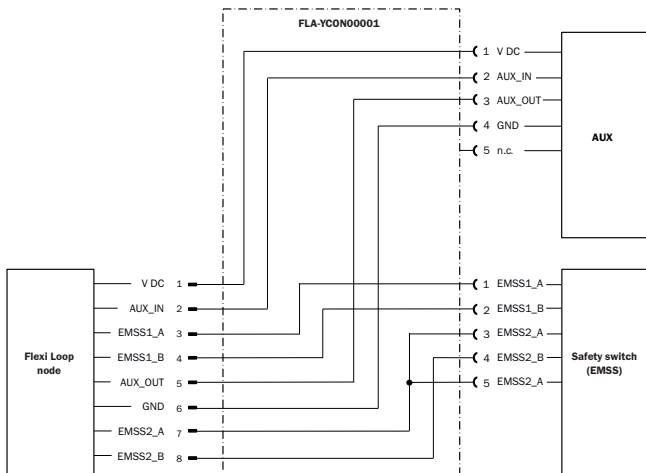
<b>ECl@ss 5.0</b>	27371990
<b>ECl@ss 5.1.4</b>	27371990
<b>ECl@ss 6.0</b>	27371819
<b>ECl@ss 6.2</b>	27371819
<b>ECl@ss 7.0</b>	27371819
<b>ECl@ss 8.0</b>	27371819
<b>ECl@ss 8.1</b>	27371819
<b>ECl@ss 9.0</b>	27371819
<b>ETIM 5.0</b>	EC001449
<b>ETIM 6.0</b>	EC001449
<b>UNSPSC 16.0901</b>	41113704

### Dimensional drawing (Dimensions in mm (inch))

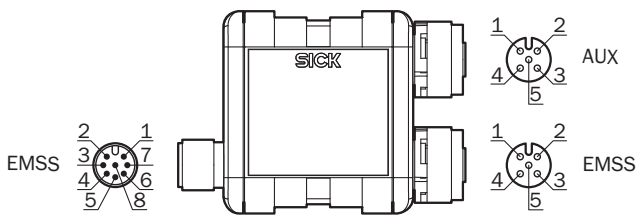
FLA-YCON00001



### Connection diagram




### PIN assignment



Con- nec- tion	Pin	Sig- nal	Description	Col- or-cod- ed con- nect- ing cable
EMSS	1	VDC	24 V supply voltage	White
2	AUX_I	Non- safe input	Brown	
3	EMSS1	Switch- ing con- tact 1, con- nec- tion A	Green	
4	EMSS1	Switch- ing con- tact 1, con- nec- tion B	Yellow	
5	AUX_O	Non- safe out- put	Gray	
6	GND	GND sup- ply volt- age	Pink	
7	EMSS2	Switch- ing con- tact 2, con- nec- tion A	Blue	
8	EMSS2	Switch- ing con- tact 2, con- nec- tion B	Red	
AUX	1	VDC	24 V supply voltage	
2	AUX_I	Non- safe input		
3	AUX_O	Non- safe out- put		
4	GND	GND sup- ply volt- age		
5	NC	Not con- nect- ed		

## Recommended accessories

Other models and accessories → [www.sick.com/Flexi\\_Loop](http://www.sick.com/Flexi_Loop)

	Brief description	Type	Part no.
Mounting brackets and plates			
	1 piece, Flexi Loop fixing clip	C-Fix bracket	2068830

## SICK AT A GLANCE

SICK is one of the leading manufacturers of intelligent sensors and sensor solutions for industrial applications. A unique range of products and services creates the perfect basis for controlling processes securely and efficiently, protecting individuals from accidents and preventing damage to the environment.

We have extensive experience in a wide range of industries and understand their processes and requirements. With intelligent sensors, we can deliver exactly what our customers need. In application centers in Europe, Asia and North America, system solutions are tested and optimized in accordance with customer specifications. All this makes us a reliable supplier and development partner.

Comprehensive services complete our offering: SICK LifeTime Services provide support throughout the machine life cycle and ensure safety and productivity.

For us, that is “Sensor Intelligence.”

## WORLDWIDE PRESENCE:

Contacts and other locations –[www.sick.com](http://www.sick.com)