

- IEEE 802.3 Ethernet compatible .
- 100 Base-TX Surface mountable .
- Design for multi-port repeater and Ethernet switching HUB application .
- Customer designs available for specific application.
- Comply with RoHS & Halogen Free requirements.
- Operating temperature range : 0 to +70 .
- Storage temperature range: -25 to +85 .



Electrical Specifications @ 25

| Part Number | Turns Ratio (±5%) | | Insertion Loss (dB Max) 0.3-100MHz | OCL(uH Min) @100KHz/0.1V with 8.0mA DC | Insulation Resistance (M) | HI-POT (Vrms) |
|-----------------------------|-------------------|---------|---------------------------------------|--|----------------------------|---------------|
| | TX | RX | | | | |
| 40SS1041AX HF | 1CT:1CT | 1CT:1CT | -1.15 | 350 | 10000 | 1500 |
| 40SS1041A HF | 1CT:1CT | 1:1 | -1.15 | 350 | 10000 | 1500 |
| 40SS1041RX HF | 1CT:1CT | 1CT:1CT | -1.15 | 350 | - | 1500 |
| 40SS1140AX ¹ HF | 1CT:1CT | 1CT:1CT | -1.0 | 350 | - | 1500 |
| 40SS1040AXM ² HF | 1CT:1CT | 1CT:1CT | -1.15 | 350 | - | 1500 |
| 40SS1064A HF | 1CT:1CT | 1CT:1CT | -1.15 | 400 | - | 1500 |

Continue

| Part Number | Return Loss (dB Min) | | | Cross Talk (dB Min) | | DCMR (dB Min) | | |
|-----------------------------|----------------------|----------|----------|---------------------|-----------|---------------|--------|--------|
| | 0.3-30MHz | 30-60MHz | 60-80MHz | 0.3-60MHz | 60-100MHz | 60MHz | 100MHz | 200MHz |
| 40SS1041AX HF | -16 | -12 | -10 | -45 | -35 | -37 | -28 | -25 |
| 40SS1041A HF | -16 | -12 | -10 | -45 | -35 | -37 | -28 | -25 |
| 40SS1041RX HF | -16 | -12 | -10 | -40 | -35 | -37 | -28 | -25 |
| 40SS1140AX ¹ HF | - | - | - | -40 | -35 | -40 | -33 | -25 |
| 40SS1040AXM ² HF | -16 | -12 | -10 | -40 | -35 | -37 | -28 | -25 |
| 40SS1064A LF | -16 | -12 | -10 | -40 | -28 | -37 | -28 | -25 |

NOTE:

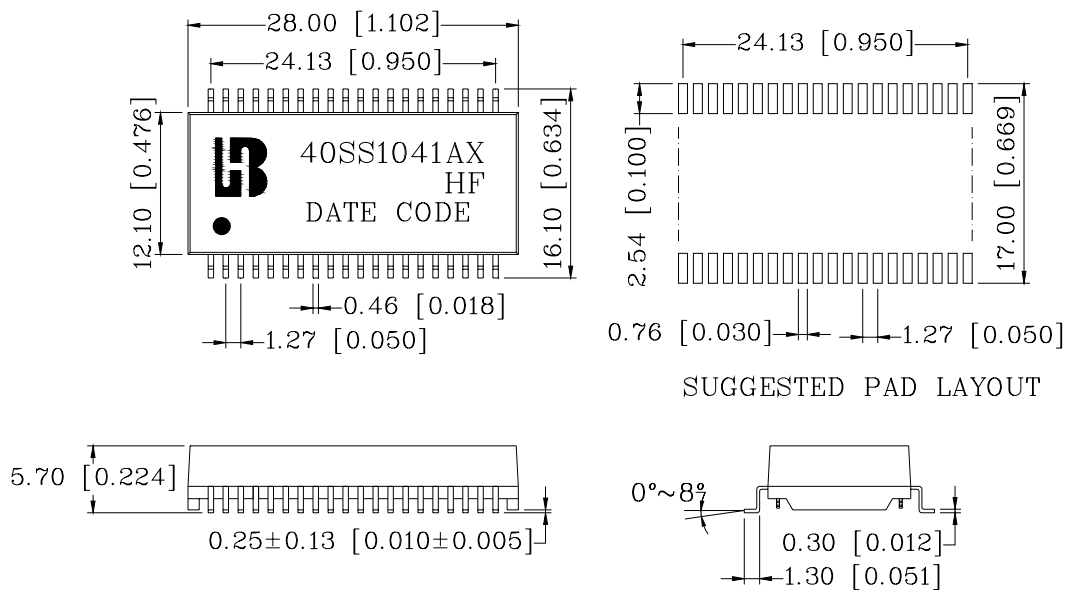
1. Return Loss(dB Min)

| 2-3MHz | 40MHz | 50MHz | 60-80MHz |
|--------|-------|-------|----------|
| -18 | -14.4 | -13.1 | -12 |

2. Operating temperature range : -40 to +85 .
Storage temperature range: -40 to +125 .

Mechanical

40SSXXXX HF

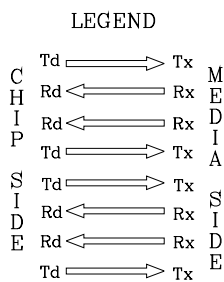
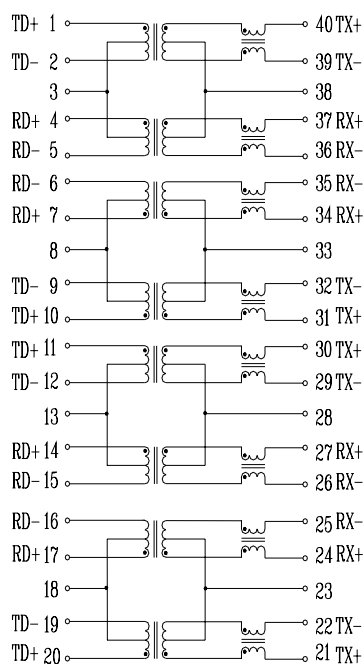


Units: mm[Inches] Tolerances: xx.x0±0.25[0.010]
0.xx±0.05[0.002]

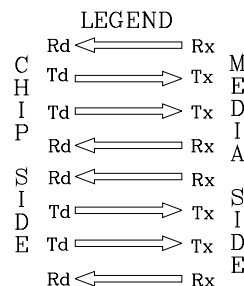
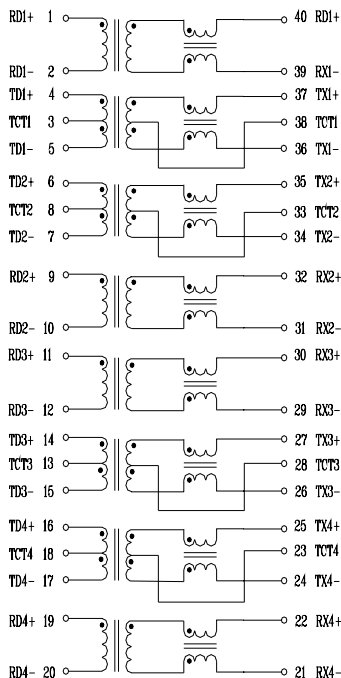
| Specification | Packing Manner | Q'ty per Tube/Reel | Q'ty/ Inner box | Q'ty/ Carton |
|---------------|----------------|--------------------|-----------------|--------------|
| 40SSXXXX HF | REEL | 400 | 400 | 2000 |

Schematics

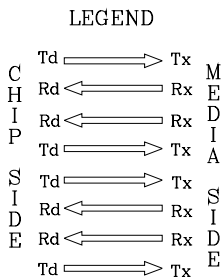
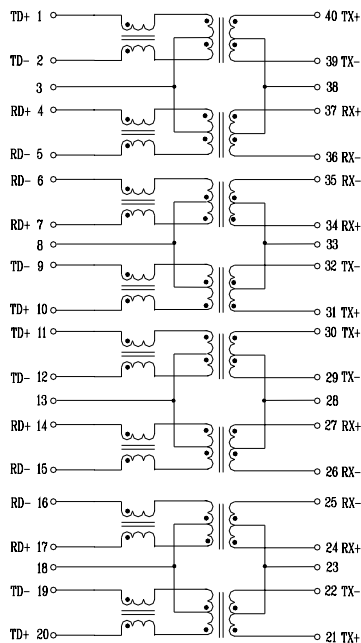
40SS1041AX HF



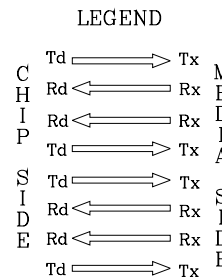
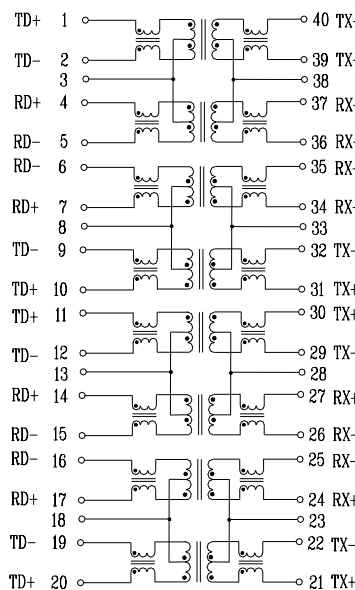
40SS1041A HF



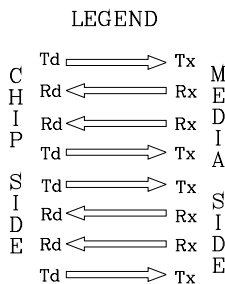
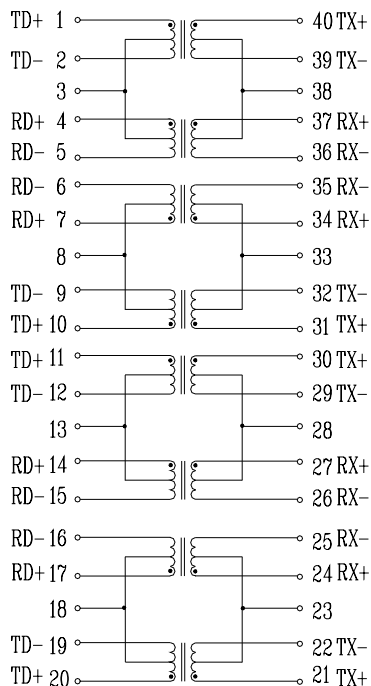
40SS1041RX HF



40SS1140AX HF



40SS1040AXM HF



40SS1064A HF

