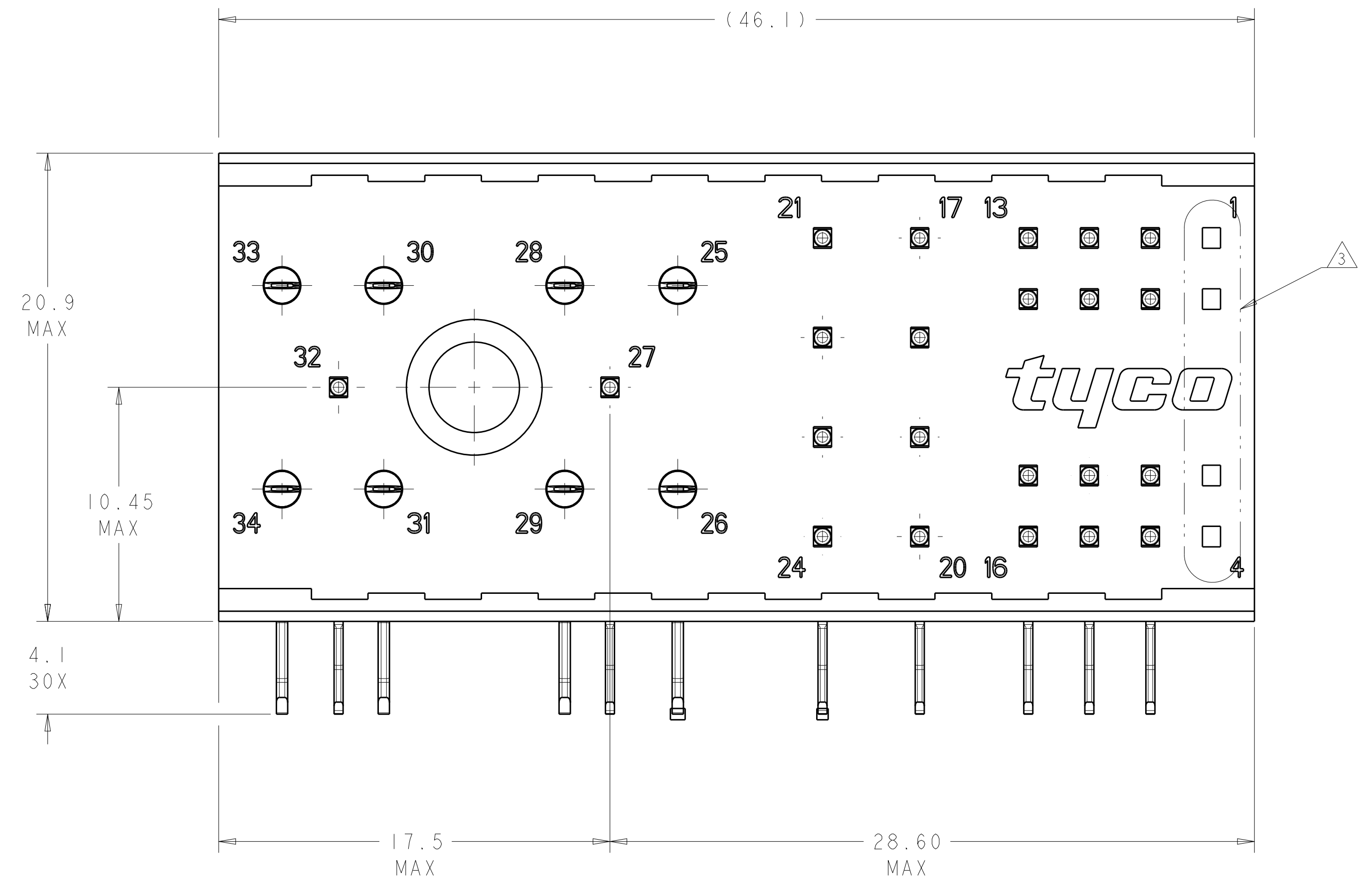
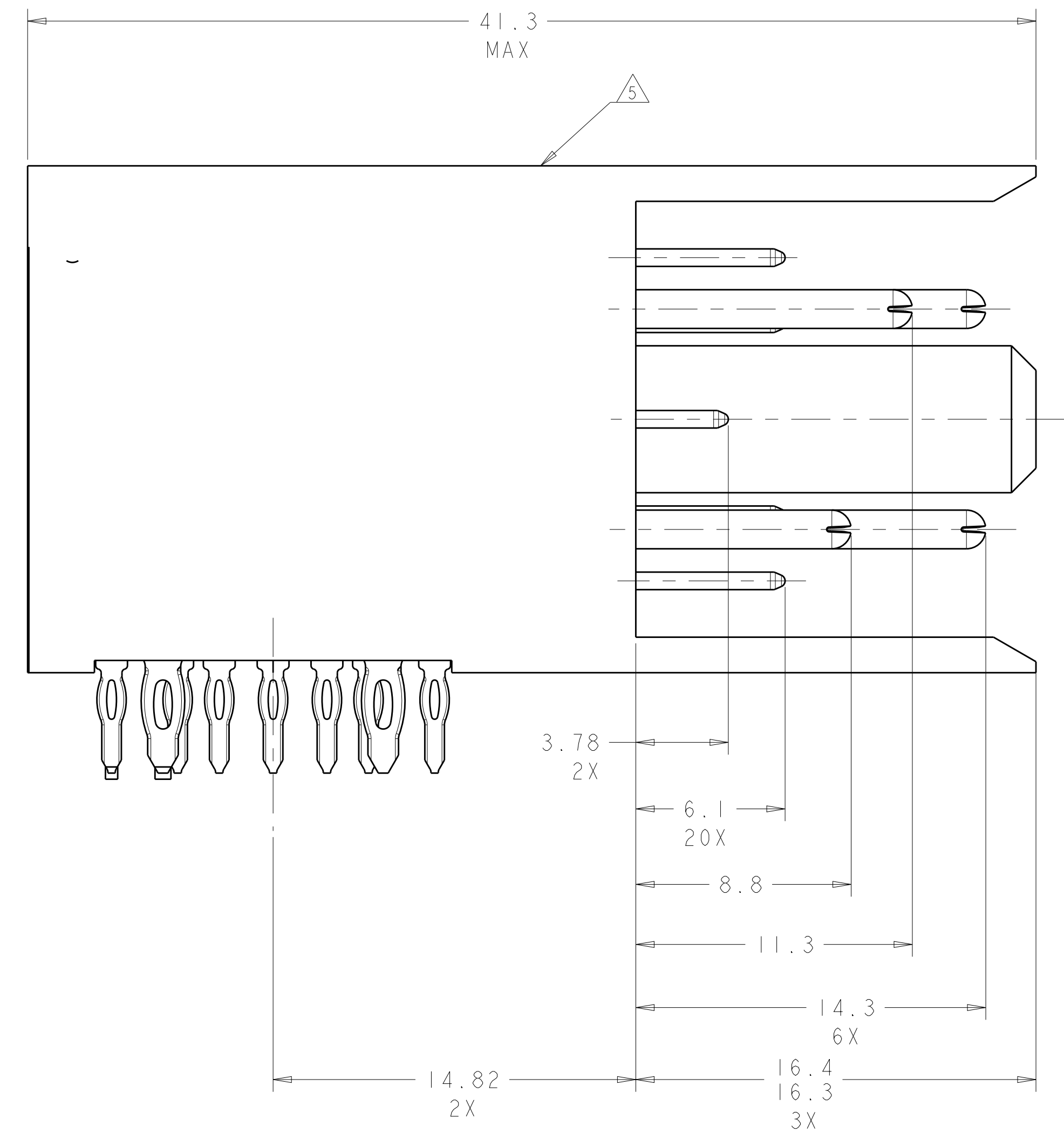


LOC	DIST	REVISIONS			
P	LTN	DESCRIPTION	DATE	DWN	APVD
E1		REVISED PER ECO-11-005033	19MAR2011	RK	HMR
E2		REMOVE PRELIMINARY MARK	24NOV2011	OL	SZ
F		REV PER ECR-12-016995	04NOV2012	OL	SZ



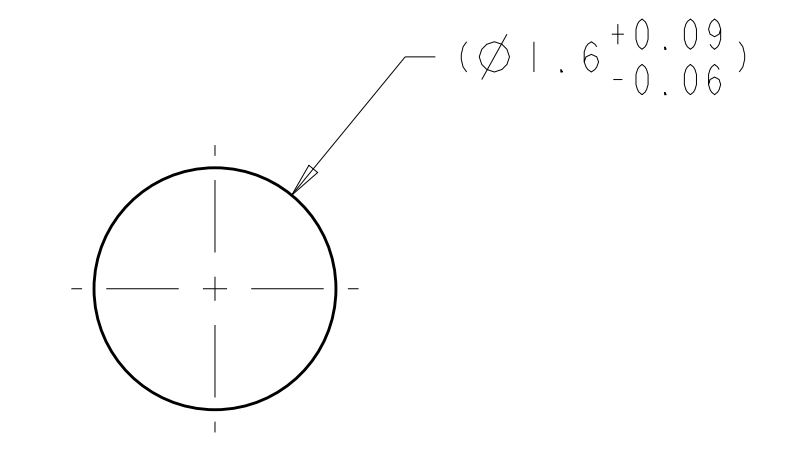
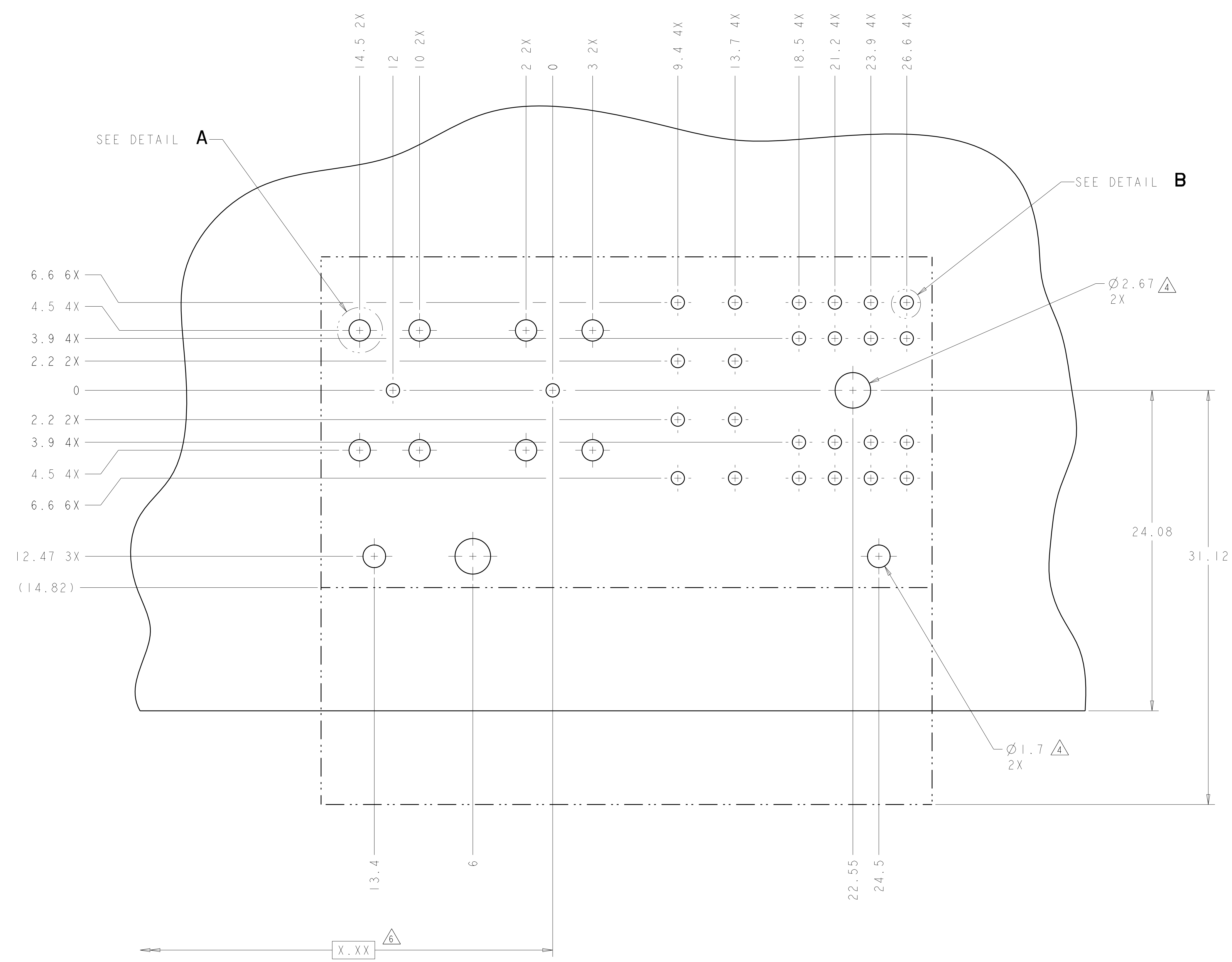
- 1 MATERIALS:**
 HOUSING: HIGH TEMP THERMOPLASTIC, UL94V-0, GRAY.
 SIGNAL CONTACTS: COPPER ALLOY
 POWER CONTACTS: COPPER ALLOY
- 2 CONTACT FINISH:**
 ALL OVER: 0.00127 MIN NICKEL
 COMPLIANT PIN AREA: 0.00127 MIN TIN
 MATING AREA: 0.00076 MIN GOLD
- 3 POSITIONS 1-4 ARE UNPOPULATED AND RESERVED FOR FUTURE USE.**
- 4 HOLES INDICATED ARE NOT REQUIRED FOR TE CONNECTIVITY PRODUCT.**
- 5 TE CONNECTIVITY PART NUMBER AND DATE CODE (YYWW) LOCATED ON SURFACE INDICATED.**
- 6 DATUM AND BASIC DIMENSION TO BE ESTABLISHED BY CUSTOMER.**
- 7 CONTACT FINISH:**
 ALL OVER: 0.00127 MIN NICKEL
 COMPLIANT PIN AREA: 0.00127 MIN TIN-LEAD
 MATING AREA: 0.00076 MIN GOLD
- 8 CONTACT MATING AREA LUBRICATED WITH BELLCORE APPROVED LUBRICANT.
 TECHNICAL REFERANCE: GR-1217-COR, ISSUE 1, NOVEMBER 1995**
- 9 CONTACT FINISH:**
 ALL OVER: 0.00127 MIN NICKEL
 COMPLIANT PIN AREA: 0.00127 MIN TIN
 MATING AREA: 0.00127 MIN GOLD

CONTACT POSN	PIN LENGTH
1-4	NOT USED
5-24	6.1
25,26,28-31	14.3
27,32	3.8
33	11.3
34	8.8

OBSOLETE	9	Ø0.762	22	22	ZP-A-030M-P2-2B	1766500-3
		Ø1.58	8	16	7P-A-030M-P2-2B	1766500-2
PLATING	2	Ø0.762	22	22	ZP-A-030M-P2-2B	1766500-1
		Ø1.58	8	16		
		MATING PIN DIAMETER	CONTACT QTY	SIZE NO	TYPE DESIGNATION	PART NO

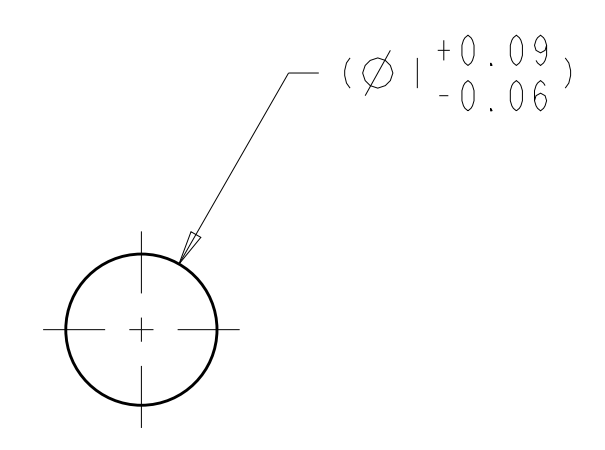
THIS DRAWING IS A CONTROLLED DOCUMENT.		DWN: HAMNER 20MAY2005	TE Connectivity ASSEMBLY, RT ANGLE, AdvancedTCA	
DIMENSIONS: mm		CHK: M. McALONIS 21AUG2006		
TOLERANCES UNLESS OTHERWISE SPECIFIED:		APVD: M. McALONIS 21AUG2006	NAME: A100779	
0 PLC ±0.5	1 PLC ±0.13	PRODUCT SPEC: 108-2216	SIZE: A100779	
2 PLC ±0.013	3 PLC ±0.001	APPLICATION SPEC: 114-13156	CAGE CODE: 1766500	
4 PLC ±0.0001	ANGLES ±	WEIGHT: -	RESTRICTED TO: -	
MATERIAL FINISH		Customer Drawing	SCALE: 6:1 SHEET 1 OF 2 REV F	

LOC	DIST	REVISIONS					
GP	00	P	LTN	DESCRIPTION	DATE	DWN	APVD
-	-	-	-	SEE SHEET 1	-	-	-



DETAIL A
 SCALE 20:1
 8X (SIZE 16)

FINISHED HOLE: $\phi 1.6^{+0.09}_{-0.06}$
 DRILLED HOLE: $\phi 1.75 \pm 0.025$
 COPPER PLATE: 0.025 MIN (PER SURFACE)
 TIN PLATE: 0.008 MIN (PER SURFACE)



DETAIL B
 SCALE 20:1
 26X (SIZE 22)

FINISHED HOLE: $\phi 1^{+0.09}_{-0.06}$
 DRILLED HOLE: $\phi 1.15 \pm 0.025$
 COPPER PLATE: 0.025 MIN (PER SURFACE)
 TIN PLATE: 0.008 MIN (PER SURFACE)

RECOMMENDED PCB LAYOUT
 VIEWED FROM CONNECTOR SIDE

THIS DRAWING IS A CONTROLLED DOCUMENT.		DWN: HAMNER 20MAY2005	TE Connectivity	
DIMENSIONS: mm		CHK: M. McALONIS 21AUG2006		
		APVD: M. McALONIS 21AUG2006	NAME: ASSEMBLY, RT ANGLE, AdvancedTCA	
TOLERANCES UNLESS OTHERWISE SPECIFIED:		PRODUCT SPEC: 108-2216	SIZE: CAGE CODE: DRAWING NO: A100779	
0 PLC ±0.5		APPLICATION SPEC: 114-13156	RESTRICTED TO: -	
1 PLC ±0.13		WEIGHT: -	SCALE: 6:1 SHEET 2 OF 2 REV F	
2 PLC ±0.013		Customer Drawing		
3 PLC ±0.001				
4 PLC ±0.0001				
ANGLES ±0.0001				
FINISH				