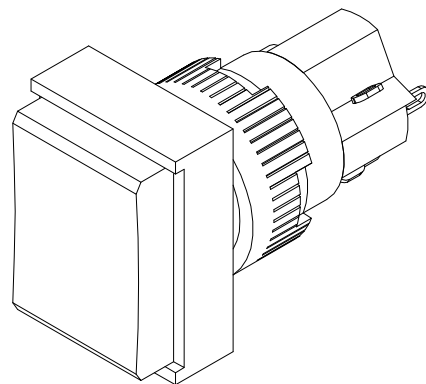
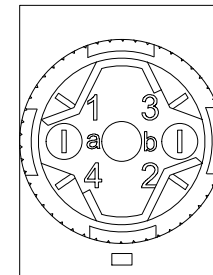
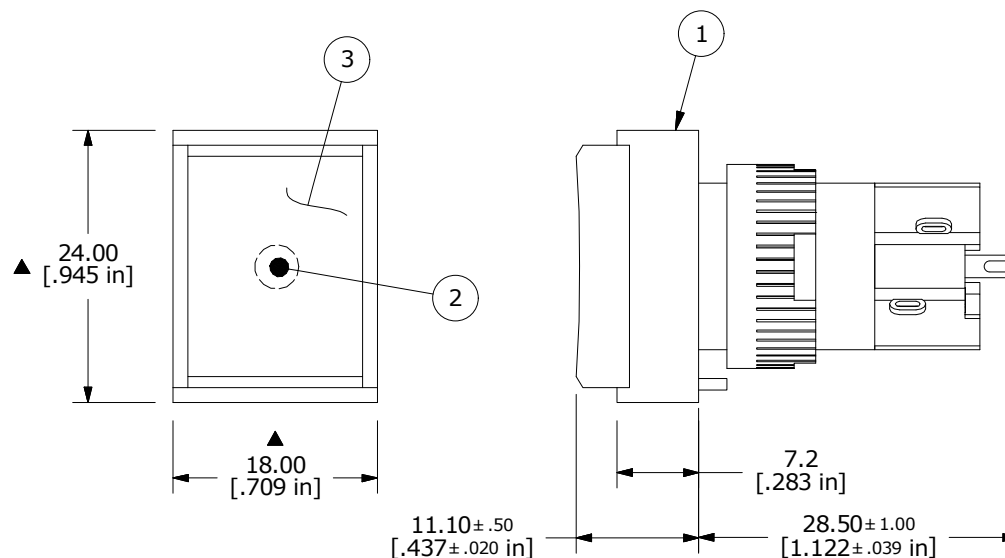
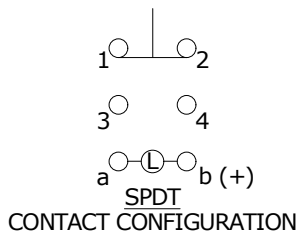


PANEL MOUNTING



PARTS LIST			
ITEM	QTY	PART NUMBER	DESCRIPTION
1	1	F040007	D16OAT11
2	1	F050418	5000418 6V DC YELLOW LED
3	1	F050203	5000203 TRANSPARENT ORANGE LENS



NOTE:

1. ALL DIMENSIONS IN MM [INCH]
2. GENERAL TOLERANCE: X.X=±0.4  
X.XX=±0.25
3. TERMINAL NUMBERS FOR REF ONLY
4. RATING: 5A @ 250VAC  
8A @ 125VAC  
6A @ 24VDC
5. MECHANICAL LIFE: 100,000 CYCLES
6. ELECTRIC LIFE: 50,000 MAKE-AND-BREAK CYCLES AT FULL LOAD.
7. INSULATION RESISTANCE: 1,000 MEGA-OHM MIN.
8. OPERATING TEMP.: -20°C to 55°C
- ▲ 9. LAMP VOLTAGE: 6V DC YELLOW LED
10. SEAL RATING: IP40
11. ▲ DENOTES CRITICAL PARAMETER.
12. PANEL THICKNESS: 0.5mm TO 5.0 mm.
13. 2002/05/EC (ROHS) COMPLIANT.
14. PACKAGE: BOX/20 PIECES PER BOX



A	21849	RELEASED FOR PRODUCTION	5/8/15	MW
REV	PCR NO	DESCRIPTION	DATE	BY

TITLE D16OAT11HYELORG				
SCALE	DATE	DR	DWG	REV
3:2	5/8/2015	MW	XF0899P	A

THE INFORMATION CONTAINED IN THIS DOCUMENT IS PROPRIETARY TO E-SWITCH AND IS NOT TO BE COPIED OR TRANSFERRED