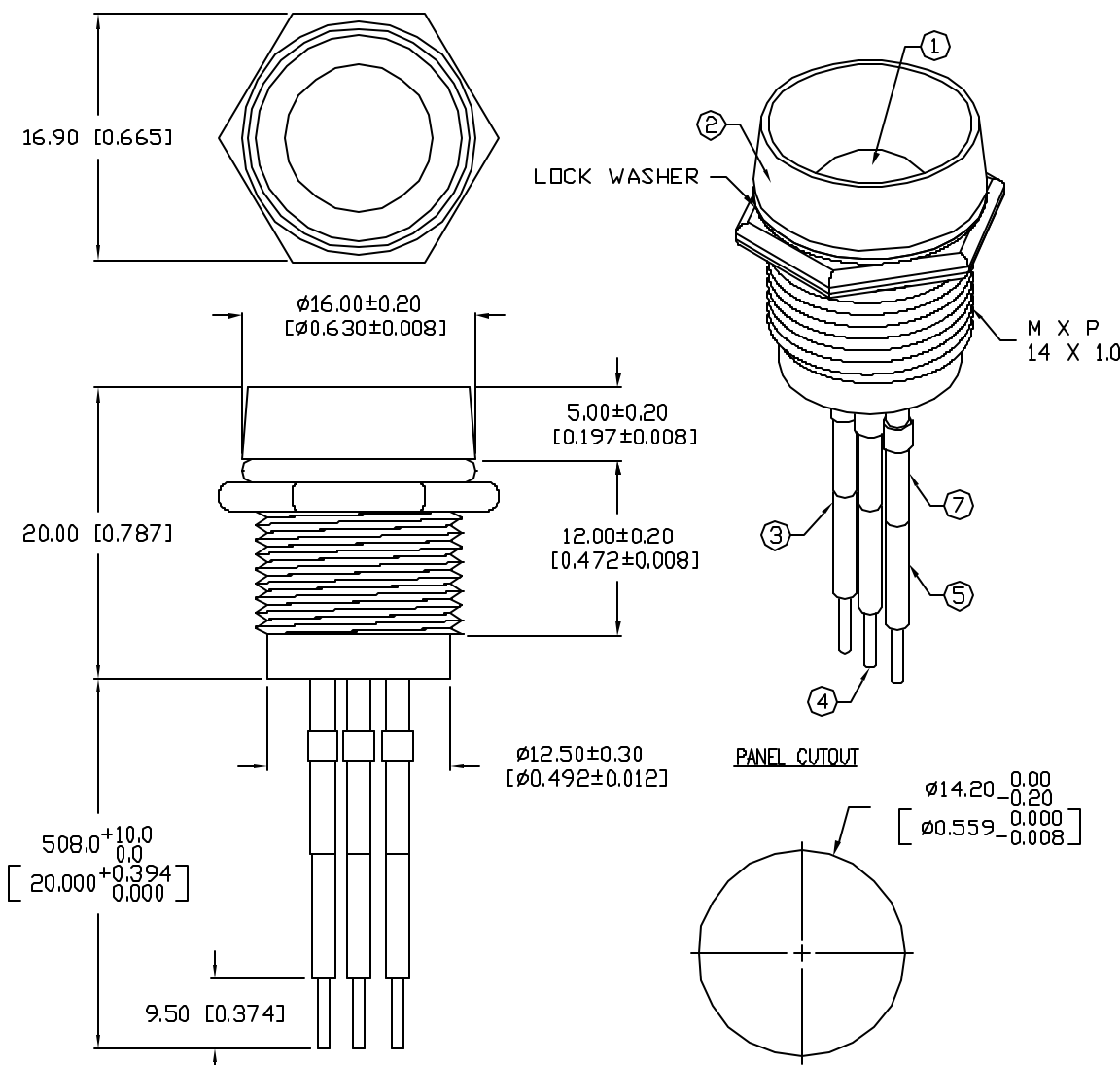


PRELIMINARY IN P/N DIR.



ELECTRO-OPTICAL CHARACTERISTICS $T_A=25^\circ\text{C}$ $I_f=20\text{mA}$

PARAMETER	MIN	TYP	MAX	UNITS	TEST COND
PEAK WAVELENGTH		636 (RED)		nm	
		562 (GREEN)		nm	
FORWARD VOLTAGE (R/G)		2.0/2.2	2.2/2.5	V_f	
REVERSE VOLTAGE	5.0			V_r	$I_f=100\mu\text{A}$
AXIAL INTENSITY (R/G)		500/200		mcd	$I_f=20\text{mA}$
VIEWING ANGLE		60		2x theta	
EMITTED COLOR:	RED/GREEN				
EPOXY LENS FINISH:	MILKY WHITE DIFFUSED				

LIMITS OF SAFE OPERATION AT 25°C PER CHIP

PARAMETER	COLORS	MAX	UNITS
PEAK FORWARD CURRENT*		150	mA
STEADY CURRENT	(R/G)	30/25	mA
POWER DISSIPATION		105	mW
DERATE FROM 25°C		-1.2	mW/°C
OPERATING, STORAGE TEMP.		-40 TO +85	°C
SOLDERING TEMP.		+260	°C
2.0mm FROM BODY			3 SEC. MAX

* $t < 10\mu\text{s}$

NOTES:

- SSL-LX100139SISUGW, RED/GREEN LED.
- SSI-LXR4915, CHROME HOUSING.
- RED ANODE: LXP-WST24RDT0C, CUT 505mm, STRIP 3mm & 9.5mm.
- COMMON CATHODE: LXP-WST24BLT0C, CUT 505mm STRIP 3mm & 9.5mm.
- GREEN ANODE: LXP-WST24GRT0C, CUT 505mm STRIP 3mm & 9.5mm.
- CRIMP WIRE LEADS TO LED LEADS.
- LXP-HEATSHRINK-2, HEATSHRINK. (3 PCS.)
- UV GLUE LED INTO HOUSING.

UNCONTROLLED DOCUMENT

*UNLESS OTHERWISE SPECIFIED TOLERANCES PER DECIMAL PRECISION ARE: X=±1 (±0.039), XX=±0.5 (±0.020), XXX=±0.25 (±0.010), XXXX=±0.127 (±0.005). LEAD SIZE=±0.05 (±0.002), LEAD LENGTH=±0.75 (±0.030), MIN= $\begin{matrix} +0.00 \\ -0.00 \end{matrix}$ DECIMAL PRECISION, MAX= $\begin{matrix} +0.00 \\ -0.00 \end{matrix}$ DECIMAL PRECISION.

REV.

PART NUMBER

SSI-LXR4915SISU351

CONFIDENTIAL INFORMATION
THE INFORMATION CONTAINED IN THIS DOCUMENT IS THE PROPERTY OF LUMEX INC. EXCEPT AS SPECIFICALLY AUTHORIZED IN WRITING BY LUMEX INC, THE HOLDER OF THIS DOCUMENT SHALL KEEP ALL INFORMATION CONTAINED HEREIN CONFIDENTIAL AND SHALL PROTECT SAME IN WHOLE OR IN PART FROM DISCLOSURE AND DISSEMINATION TO ALL THIRD PARTIES.



290 E. HELEN ROAD
PALATINE, IL 60067-6976
PHONE: +1.847.359.2790
US WEB: www.lumex.com
TW WEB: www.lumex.com.tw

RELIABILITY NOTE
OUR MANY YEARS OF EXPERIENCE DATA ACCUMULATION INDICATE THAT SOLDER HEAT IS A MAJOR CAUSE OF EARLY AND FUTURE FAILURE. PLEASE PAY ATTENTION TO YOUR SOLDERING PROCESS.

DRAWN BY:

GB

CHECKED BY:

APPROVED BY:

DATE: 9.18.02

PAGE: 1 OF 1

SCALE: N/A

10mm, RED/GREEN LED PANEL INDICATOR,
MILKY WHITE DIFFUSED, 20" WIRE LEADS, COMMON CATHODE.