

## 34-Channel Symmetric Row Driver

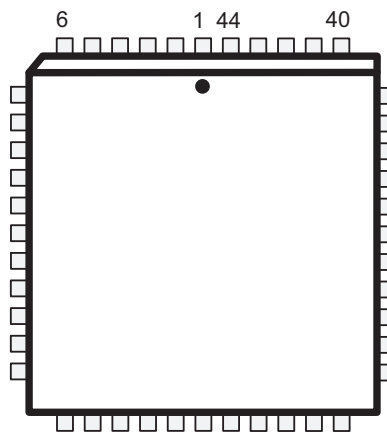
### Features

- High-Voltage CMOS technology
- Symmetric row drive (reduces latent imaging in ACTFEL displays)
- Output voltage up to +230V
- Low power level shifting
- Source/sink current minimum 70 mA
- Shift register speed 4.0 MHz
- Pin-programmable shift direction

### Description

HV7022 is a low-voltage serial to high-voltage parallel converter with push-pull outputs. It is especially suited for use as a symmetric row driver in AC thin-film electroluminescent (ACTFEL) displays. HV7022 offers 34 output lines, a direction (DIR) pin to give CW or CCW shift register loading, output enable (OE), and polarity (POL) control. After data is entered on the falling edge of CLK, a logic high will cause the output to swing to  $V_{PP}$  if POL is high, or to GND if POL is low.

### Package Type

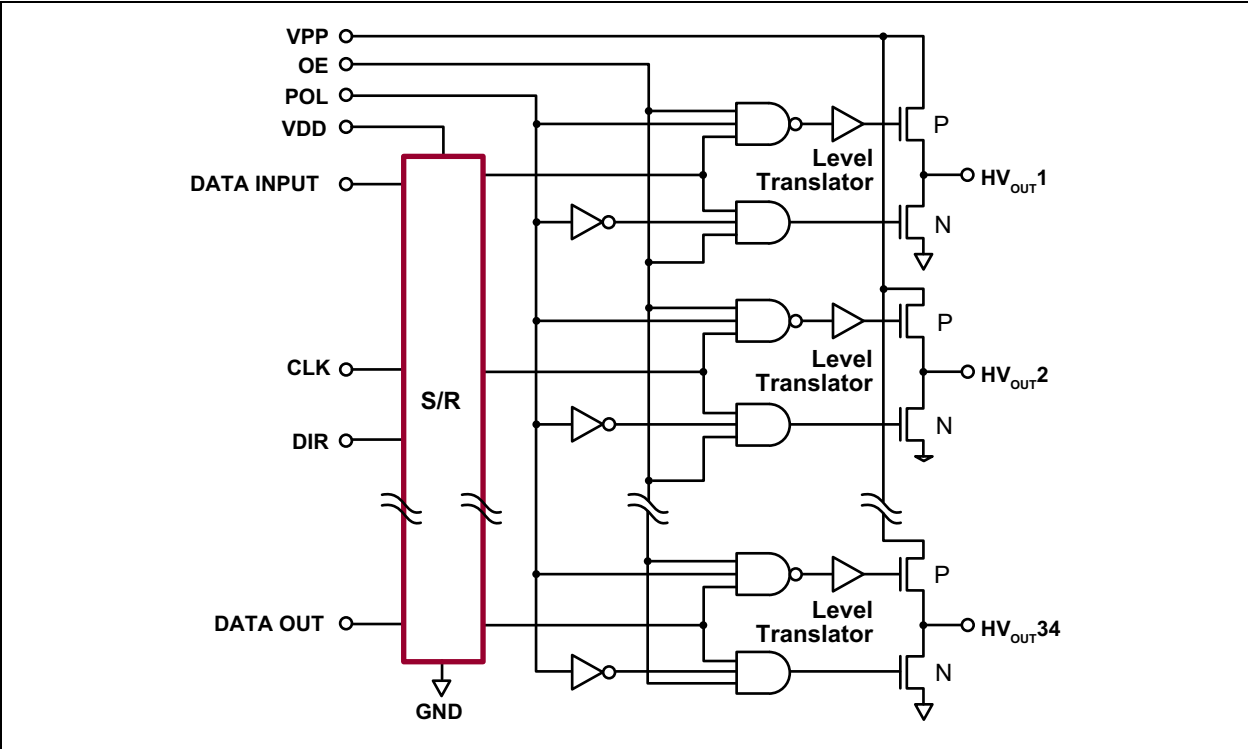


**44-Lead PLCC**

See [Table 2-1](#) for pin information

# HV7022

## Functional Block Diagram





# HV7022

## ELECTRICAL CHARACTERISTICS (CONTINUED)

Recommended Operating Conditions: $V_{PP} = 230V$ , $V_{DD} = 12V$ , $T_A = 25^\circ C$ , unless otherwise noted						
Symbol	Parameter	Min	Max	Units	Conditions	
$t_{DHL}$	Delay time high to low-level output from clock	-	150	ns	$C_L = 10pF$	
$t_{DLH}$	Delay time low to high-level output from clock	-	200	ns	$C_L = 10pF$	
$t_{THL}$	Transition time high to low-level serial output	-	200	ns	$C_L = 15pF$	
$t_{TLH}$	Transition time low to high-level serial output	-	100	ns	$C_L = 15pF$	
$t_{ONH}$	High-level turn-on time $HV_{OUT}$ from enable	-	500	ns	$V_{OH} = 195V$ , $R_L = 2.0k\ \Omega$ to 95V	
$t_{ONL}$	Low-level turn-on time $HV_{OUT}$ from enable	-	500	ns	$V_{OH} = 130V$ , $R_L = 2.0k\ \Omega$ to 30V	
$t_{OFFH}$	High-level turn-off time $HV_{OUT}$ from enable	-	1000	ns	$V_{OH} = 195V$ , $R_L = 2.0k\ \Omega$ to 95V	
$t_{OFFL}$	Low-level turn-off time $HV_{OUT}$ from enable	-	500	ns	$V_{OH} = 130V$ , $R_L = 2.0k\ \Omega$ to 30V	
SR	Slew rate, $V_{PP}$ or GND	-	45	V/ $\mu s$	One active output driving 4.7nF load to $V_{PP}$ or GND	

Note 1: The total number of ON outputs times the duty cycle must not exceed the allowable package power dissipation.

## TEMPERATURE SPECIFICATIONS

Parameter	Symbol	Min	Typ	Max	Units	Conditions
Temperature Ranges						
Operating Temperature	-	-40	-	85	$^\circ C$	-
Storage Temperature	-	-65	-	150	$^\circ C$	-
Package Thermal Resistances						
Thermal Resistance, 44-Lead PLCC	$\theta_{ja}$	-	37	-	$^\circ C/W$	-

## 1.1 Power up and Recommended Operating Conditions

To power-up HV7022, perform the following power-up sequence:

1. Connect ground
2. Apply  $V_{DD}$
3. Set all inputs (Data, CLK, Enable, etc) to a known state.
4. Apply  $V_{PP}$  ( $V_{PP}$  should not drop below  $V_{DD}$  or float during operation).

To power-down the device, reverse the steps above.

### RECOMMENDED OPERATING CONDITIONS

Symbol	Parameter	Min	Max	Units	
$V_{DD}$	Logic supply voltage	10.8	13.2	V	
$V_{PP}$	High voltage supply	–	230	V	
$V_{IH}$	High-level input voltage	$V_{DD} = 10.8$	8.1	–	V
		$V_{DD} = 13.2$	9.9	–	
$V_{IL}$	Low-level input voltage	$V_{DD} = 10.8$	-	2.7	V
		$V_{DD} = 13.2$	-	3.3	
$f_{CLK}$	Clock frequency	-	4.0	MHz	
$T_A$	Operating free-air temperature	-40	+85	°C	
$I_{OD}$	Allowable pulsed current through output diode.	–	±300	mA	

# HV7022

## 2.0 PIN DESCRIPTION

The locations of the pins are listed in [Package Type](#).

**TABLE 2-1: PIN DESCRIPTION**

Pin #	HV7022	Description
1	HV <sub>OUT</sub> 18/17	High voltage outputs.
2	HV <sub>OUT</sub> 17/18	
3	HV <sub>OUT</sub> 16/19	
4	HV <sub>OUT</sub> 15/20	
5	HV <sub>OUT</sub> 14/21	
6	HV <sub>OUT</sub> 13/22	
7	HV <sub>OUT</sub> 12/23	
8	HV <sub>OUT</sub> 11/24	
9	HV <sub>OUT</sub> 10/25	
10	HV <sub>OUT</sub> 9/26	
11	HV <sub>OUT</sub> 8/27	
12	HV <sub>OUT</sub> 7/28	
13	HV <sub>OUT</sub> 6/29	
14	HV <sub>OUT</sub> 5/30	
15	HV <sub>OUT</sub> 4/31	
16	HV <sub>OUT</sub> 3/32	
17	HV <sub>OUT</sub> 2/33	
18	HV <sub>OUT</sub> 1/34	
19	Data OUT	Serial data output. Data output for cascading to the data input of the next device.
20	OE	Output enable input. When OE is Low, all HV outputs are forced into a High-Z state, regardless of data in each channel. When OE is High, all HV outputs reflect data latched.
21	CLK	Data shift register clock Input are shifted into the shift register on the negative edge of the clock.
22	GND	Logic and high voltage ground.
23	DIR	Direction.
24	VDD	Low voltage logic power rail.
25	POL	Polarity.
26	DATA INPUT	Serial data input. Data needs to be present before each falling edge of the clock.
27	VPP	High voltage power rail.
28	NC	No Connect.
29	HV <sub>OUT</sub> 34/1	High voltage outputs
30	HV <sub>OUT</sub> 33/2	
31	HV <sub>OUT</sub> 32/3	
32	HV <sub>OUT</sub> 31/4	
33	HV <sub>OUT</sub> 30/5	
34	HV <sub>OUT</sub> 29/6	

**TABLE 2-1: PIN DESCRIPTION**

Pin #	HV7022	Description
35	HV <sub>OUT</sub> 28/7	High voltage outputs.
36	HV <sub>OUT</sub> 27/8	
37	HV <sub>OUT</sub> 26/9	
38	HV <sub>OUT</sub> 25/10	
39	HV <sub>OUT</sub> 24/11	
40	HV <sub>OUT</sub> 23/12	
41	HV <sub>OUT</sub> 22/13	
42	HV <sub>OUT</sub> 21/14	
43	HV <sub>OUT</sub> 20/15	
44	HV <sub>OUT</sub> 19/16	

**Note 1:** Pin designation for DIR H/L  
Example: for DIR = H, pin 1 is HV<sub>OUT</sub>18  
for DIR = L, pin 1 is HV<sub>OUT</sub>17

# HV7022

## 3.0 FUNCTIONAL DESCRIPTION

Table 3-1 provides functional information about HV7022.

TABLE 3-1: FUNCTIONAL TABLE CLK

I/O Relations	Inputs					Outputs		
	CLK	DIR	DATA	POL	OE	Shift Reg	HV <sub>OUT</sub>	DATA OUT
O/P HIGH	X	X	H	H	H	*	H	*
O/P OFF	X	X	L	H	H	*	HIGH-Z	*
O/P LOW	X	X	H	L	H	*	L	*
O/P OFF	X	X	L	L	H	*	HIGH-Z	*
O/P OFF	X	X	X	X	L	*	All O/P HIGH-Z	*
Load S/R, set DIR	↓	L	X	X	X	Q <sub>n</sub> →Q <sub>n+1</sub>	*	Q <sub>34</sub>
	↓	H	X	X	X	Q <sub>n</sub> →Q <sub>n-1</sub>	*	Q <sub>1</sub>
	No ↓	X	X	X	X	*	No Change	No Change

**Note 1:** H = logic high level, L = logic low level, X = irrelevant, ↓ = high-to-low transition

Q<sub>1</sub> = HV<sub>OUT1</sub>, Q<sub>n</sub> = HV<sub>OUTn</sub>, etc.

\* = dependent on previous state and whether an O/P or S/R command occurred.

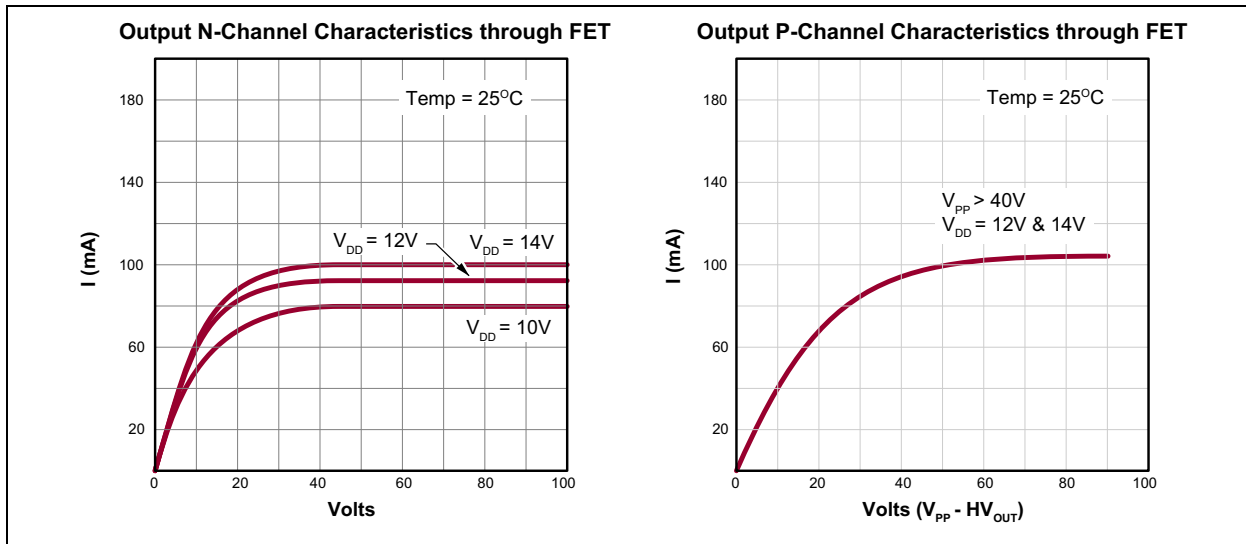


FIGURE 3-1: HV<sub>OUT</sub> Characteristics

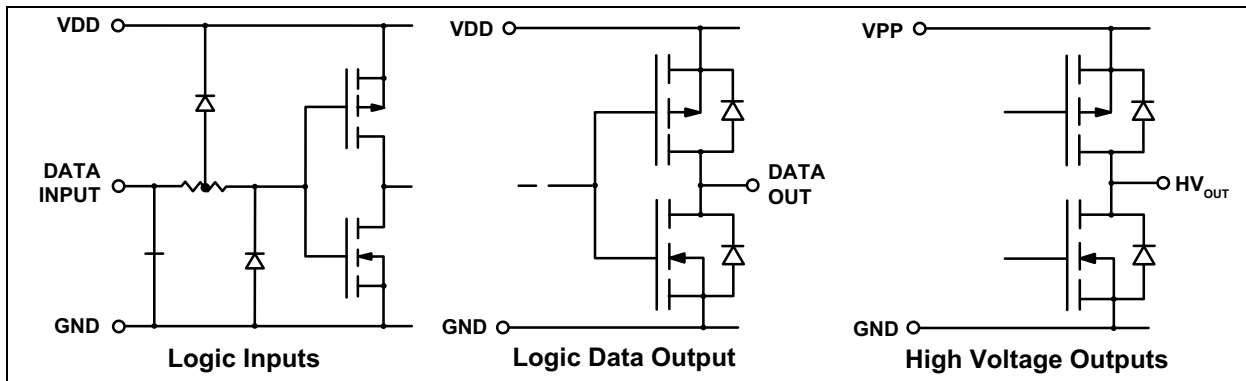
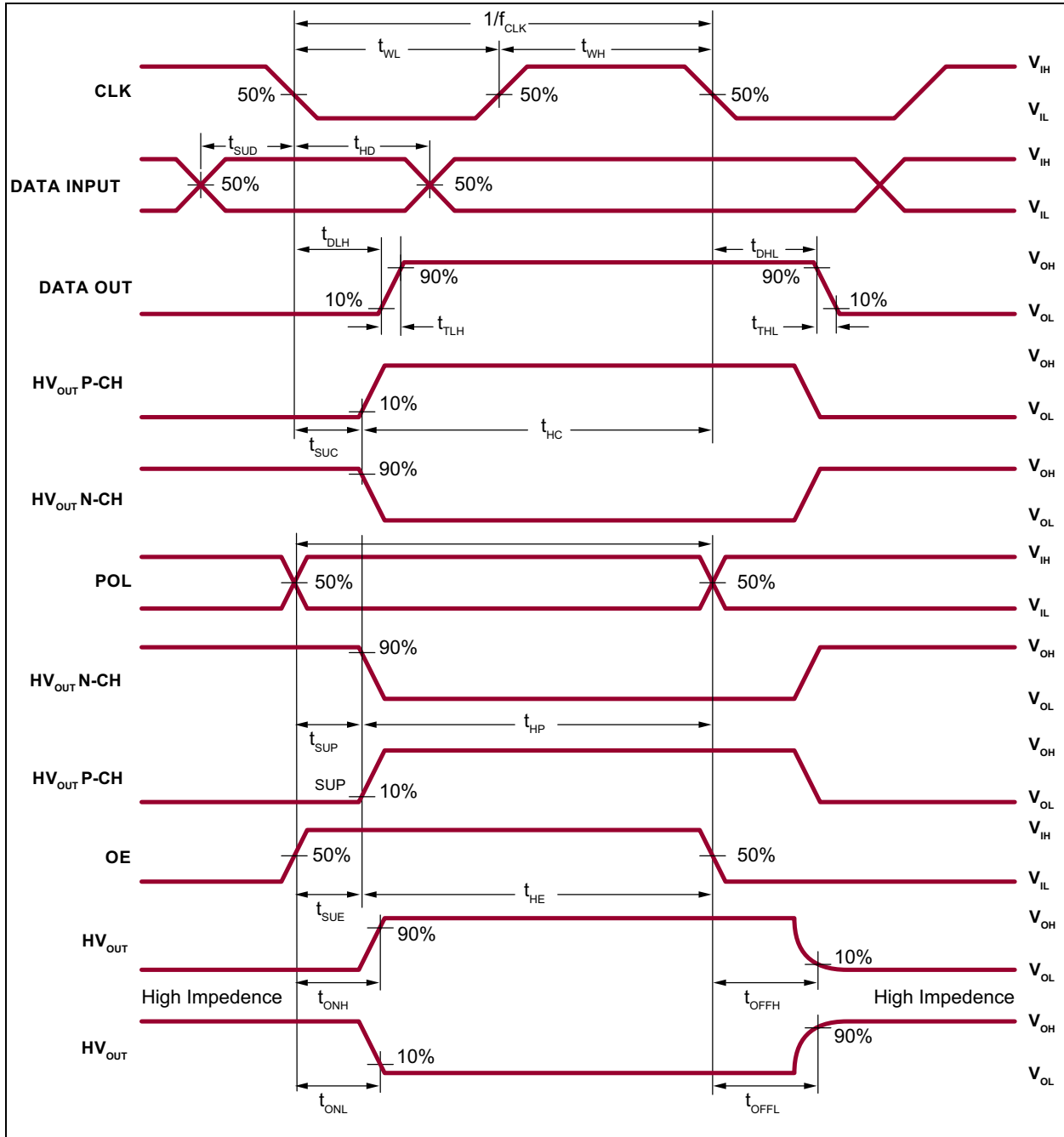


FIGURE 3-2: Input and Output Equivalent Circuits





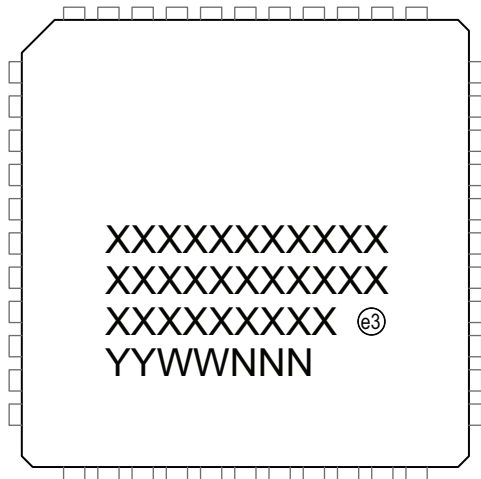
**FIGURE 3-3:** Switching Waveforms

# HV7022

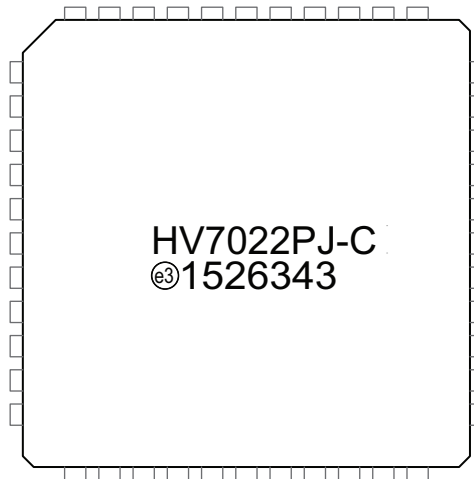
## 4.0 PACKAGING INFORMATION

### 4.1 Package Marking Information

44-lead PLCC

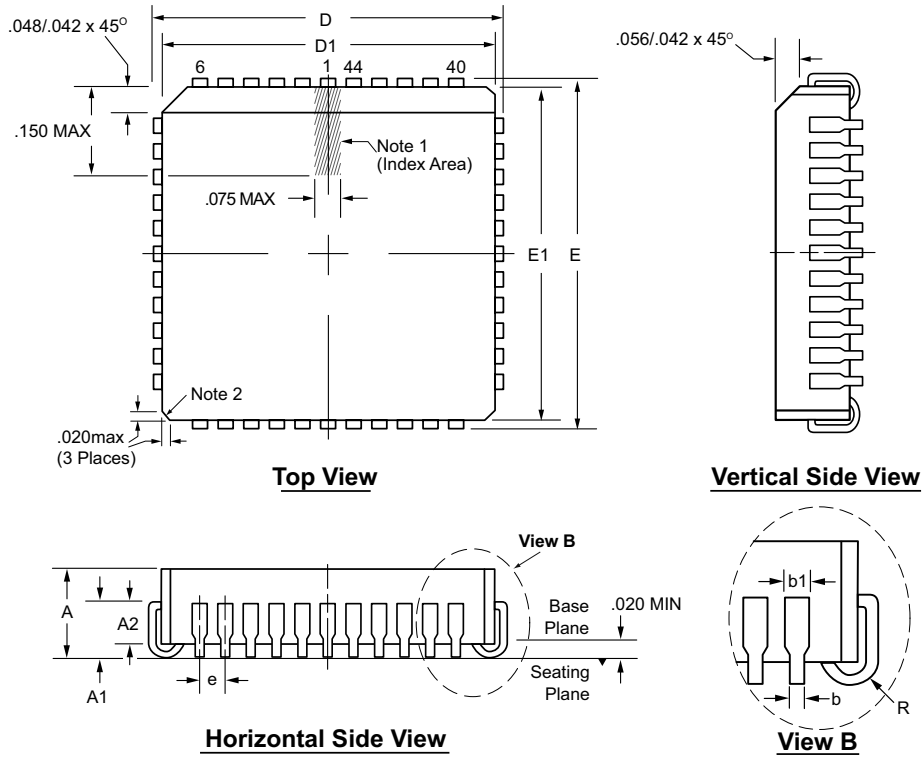


Example



<b>Legend:</b>	XX...X	Product Code or Customer-specific information
	Y	Year code (last digit of calendar year)
	YY	Year code (last 2 digits of calendar year)
	WW	Week code (week of January 1 is week '01')
	NNN	Alphanumeric traceability code
	(e3)	Pb-free JEDEC® designator for Matte Tin (Sn)
	*	This package is Pb-free. The Pb-free JEDEC designator (e3) can be found on the outer packaging for this package.
<b>Note:</b>	In the event the full Microchip part number cannot be marked on one line, it will be carried over to the next line, thus limiting the number of available characters for product code or customer-specific information. Package may or not include the corporate logo.	

## 44-Lead PLCC Package Outline (PJ) .653x.653in body, .180in height (max), .050in pitch



Note: For the most current package drawings, see the Microchip Packaging Specification at [www.microchip.com/packaging](http://www.microchip.com/packaging).

**Notes:**

1. A Pin 1 identifier must be located in the index area indicated. The Pin 1 identifier can be: a molded mark/identifier; an embedded metal marker; or a printed indicator.
2. Actual shape of this feature may vary.

Symbol	A	A1	A2	b	b1	D	D1	E	E1	e	R
Dimension (inches)	MIN	.165	.090	.062	.013	.685	.650	.685	.650	.050 BSC	.025
	NOM	.172	.105	-	-	.690	.653	.690	.653		.035
	MAX	.180	.120	.083	.021	.695	.656	.695	.656		.045

JEDEC Registration MS-018, Variation AC, Issue A, June, 1993.

† This dimension differs from the JEDEC drawing.

Drawings not to scale.

# HV7022

---

## APPENDIX A: REVISION HISTORY

### Revision A (February 2016)

- Updated Supertex Doc.# DSFP-HV7022C to Microchip DS20005428A.
- Changed part number from HV7022C to HV7022.
- Removed 44-Lead Quad Cerpac package.
- Minor text changes throughout.

## PRODUCT IDENTIFICATION SYSTEM

To order or obtain information, e.g., on pricing or delivery, refer to the factory or the listed sales office.

<u>PART NO.</u>	<u>XX</u> -	<u>X</u>	-	<u>X</u>	-	<u>X</u>
Device	Package Options	Version		Environmental		Media Type
Device:	HV7022	=		34-Channel Symmetric Row Driver		
Package:	PJ	=		44-Lead PLCC		
Version	C	=		Revision C		
Environmental	G	=		Lead (Pb)-free/ROHS-compliant package		
Media Type:	(blank)	=		27/Tube for PJ package		

**Examples:**

a) HV7022PJ-C-G      44-Lead PLCC package, 27/Tube

---

---

**Note the following details of the code protection feature on Microchip devices:**

- Microchip products meet the specification contained in their particular Microchip Data Sheet.
- Microchip believes that its family of products is one of the most secure families of its kind on the market today, when used in the intended manner and under normal conditions.
- There are dishonest and possibly illegal methods used to breach the code protection feature. All of these methods, to our knowledge, require using the Microchip products in a manner outside the operating specifications contained in Microchip's Data Sheets. Most likely, the person doing so is engaged in theft of intellectual property.
- Microchip is willing to work with the customer who is concerned about the integrity of their code.
- Neither Microchip nor any other semiconductor manufacturer can guarantee the security of their code. Code protection does not mean that we are guaranteeing the product as “unbreakable.”

Code protection is constantly evolving. We at Microchip are committed to continuously improving the code protection features of our products. Attempts to break Microchip's code protection feature may be a violation of the Digital Millennium Copyright Act. If such acts allow unauthorized access to your software or other copyrighted work, you may have a right to sue for relief under that Act.

Information contained in this publication regarding device applications and the like is provided only for your convenience and may be superseded by updates. It is your responsibility to ensure that your application meets with your specifications. MICROCHIP MAKES NO REPRESENTATIONS OR WARRANTIES OF ANY KIND WHETHER EXPRESS OR IMPLIED, WRITTEN OR ORAL, STATUTORY OR OTHERWISE, RELATED TO THE INFORMATION, INCLUDING BUT NOT LIMITED TO ITS CONDITION, QUALITY, PERFORMANCE, MERCHANTABILITY OR FITNESS FOR PURPOSE. Microchip disclaims all liability arising from this information and its use. Use of Microchip devices in life support and/or safety applications is entirely at the buyer's risk, and the buyer agrees to defend, indemnify and hold harmless Microchip from any and all damages, claims, suits, or expenses resulting from such use. No licenses are conveyed, implicitly or otherwise, under any Microchip intellectual property rights unless otherwise stated.

*Microchip received ISO/TS-16949:2009 certification for its worldwide headquarters, design and wafer fabrication facilities in Chandler and Tempe, Arizona; Gresham, Oregon and design centers in California and India. The Company's quality system processes and procedures are for its PIC® MCUs and dsPIC® DSCs, KEELOQ® code hopping devices, Serial EEPROMs, microperipherals, nonvolatile memory and analog products. In addition, Microchip's quality system for the design and manufacture of development systems is ISO 9001:2000 certified.*

**QUALITY MANAGEMENT SYSTEM  
CERTIFIED BY DNV  
= ISO/TS 16949 =**

### Trademarks

The Microchip name and logo, the Microchip logo, AnyRate, dsPIC, FlashFlex, flexPWR, Heldo, JukeBlox, KEELOQ, KEELOQ logo, Klear, LANCheck, LINK MD, MediaLB, MOST, MOST logo, MPLAB, OptoLyzer, PIC, PICSTART, PIC32 logo, RightTouch, SpyNIC, SST, SST Logo, SuperFlash and UNI/O are registered trademarks of Microchip Technology Incorporated in the U.S.A. and other countries.

ClockWorks, The Embedded Control Solutions Company, ETHERSYNCH, Hyper Speed Control, HyperLight Load, IntellIMOS, mTouch, Precision Edge, and QUIET-WIRE are registered trademarks of Microchip Technology Incorporated in the U.S.A.

Analog-for-the-Digital Age, Any Capacitor, AnyIn, AnyOut, BodyCom, chipKIT, chipKIT logo, CodeGuard, dsPICDEM, dsPICDEM.net, Dynamic Average Matching, DAM, ECAN, EtherGREEN, In-Circuit Serial Programming, ICSP, Inter-Chip Connectivity, JitterBlocker, KlearNet, KlearNet logo, MiWi, motorBench, MPASM, MPF, MPLAB Certified logo, MPLIB, MPLINK, MultiTRAK, NetDetach, Omniscient Code Generation, PICDEM, PICDEM.net, PICkit, PICtail, PureSilicon, RightTouch logo, REAL ICE, Ripple Blocker, Serial Quad I/O, SQL, SuperSwitcher, SuperSwitcher II, Total Endurance, TSHARC, USBCheck, VariSense, ViewSpan, WiperLock, Wireless DNA, and ZENA are trademarks of Microchip Technology Incorporated in the U.S.A. and other countries.

SQTP is a service mark of Microchip Technology Incorporated in the U.S.A.

Silicon Storage Technology is a registered trademark of Microchip Technology Inc. in other countries.

GestIC is a registered trademarks of Microchip Technology Germany II GmbH & Co. KG, a subsidiary of Microchip Technology Inc., in other countries.

All other trademarks mentioned herein are property of their respective companies.

© 2016, Microchip Technology Incorporated, Printed in the U.S.A., All Rights Reserved.

ISBN: 978-1-5224-0267-1



# MICROCHIP

## Worldwide Sales and Service

### AMERICAS

#### Corporate Office

2355 West Chandler Blvd.  
Chandler, AZ 85224-6199  
Tel: 480-792-7200  
Fax: 480-792-7277  
Technical Support:  
<http://www.microchip.com/support>

Web Address:

[www.microchip.com](http://www.microchip.com)

#### Atlanta

Duluth, GA  
Tel: 678-957-9614  
Fax: 678-957-1455

#### Austin, TX

Tel: 512-257-3370

#### Boston

Westborough, MA  
Tel: 774-760-0087  
Fax: 774-760-0088

#### Chicago

Itasca, IL  
Tel: 630-285-0071  
Fax: 630-285-0075

#### Cleveland

Independence, OH  
Tel: 216-447-0464  
Fax: 216-447-0643

#### Dallas

Addison, TX  
Tel: 972-818-7423  
Fax: 972-818-2924

#### Detroit

Novi, MI  
Tel: 248-848-4000

#### Houston, TX

Tel: 281-894-5983

#### Indianapolis

Noblesville, IN  
Tel: 317-773-8323  
Fax: 317-773-5453

#### Los Angeles

Mission Viejo, CA  
Tel: 949-462-9523  
Fax: 949-462-9608

#### New York, NY

Tel: 631-435-6000

#### San Jose, CA

Tel: 408-735-9110

#### Canada - Toronto

Tel: 905-673-0699  
Fax: 905-673-6509

### ASIA/PACIFIC

#### Asia Pacific Office

Suites 3707-14, 37th Floor  
Tower 6, The Gateway  
Harbour City, Kowloon

#### Hong Kong

Tel: 852-2943-5100  
Fax: 852-2401-3431

#### Australia - Sydney

Tel: 61-2-9868-6733  
Fax: 61-2-9868-6755

#### China - Beijing

Tel: 86-10-8569-7000  
Fax: 86-10-8528-2104

#### China - Chengdu

Tel: 86-28-8665-5511  
Fax: 86-28-8665-7889

#### China - Chongqing

Tel: 86-23-8980-9588  
Fax: 86-23-8980-9500

#### China - Dongguan

Tel: 86-769-8702-9880

#### China - Hangzhou

Tel: 86-571-8792-8115  
Fax: 86-571-8792-8116

#### China - Hong Kong SAR

Tel: 852-2943-5100  
Fax: 852-2401-3431

#### China - Nanjing

Tel: 86-25-8473-2460  
Fax: 86-25-8473-2470

#### China - Qingdao

Tel: 86-532-8502-7355  
Fax: 86-532-8502-7205

#### China - Shanghai

Tel: 86-21-5407-5533  
Fax: 86-21-5407-5066

#### China - Shenyang

Tel: 86-24-2334-2829  
Fax: 86-24-2334-2393

#### China - Shenzhen

Tel: 86-755-8864-2200  
Fax: 86-755-8203-1760

#### China - Wuhan

Tel: 86-27-5980-5300  
Fax: 86-27-5980-5118

#### China - Xian

Tel: 86-29-8833-7252  
Fax: 86-29-8833-7256

### ASIA/PACIFIC

#### China - Xiamen

Tel: 86-592-2388138  
Fax: 86-592-2388130

#### China - Zhuhai

Tel: 86-756-3210040  
Fax: 86-756-3210049

#### India - Bangalore

Tel: 91-80-3090-4444  
Fax: 91-80-3090-4123

#### India - New Delhi

Tel: 91-11-4160-8631  
Fax: 91-11-4160-8632

#### India - Pune

Tel: 91-20-3019-1500

#### Japan - Osaka

Tel: 81-6-6152-7160  
Fax: 81-6-6152-9310

#### Japan - Tokyo

Tel: 81-3-6880-3770  
Fax: 81-3-6880-3771

#### Korea - Daegu

Tel: 82-53-744-4301  
Fax: 82-53-744-4302

#### Korea - Seoul

Tel: 82-2-554-7200  
Fax: 82-2-558-5932 or  
82-2-558-5934

#### Malaysia - Kuala Lumpur

Tel: 60-3-6201-9857  
Fax: 60-3-6201-9859

#### Malaysia - Penang

Tel: 60-4-227-8870  
Fax: 60-4-227-4068

#### Philippines - Manila

Tel: 63-2-634-9065  
Fax: 63-2-634-9069

#### Singapore

Tel: 65-6334-8870  
Fax: 65-6334-8850

#### Taiwan - Hsin Chu

Tel: 886-3-5778-366  
Fax: 886-3-5770-955

#### Taiwan - Kaohsiung

Tel: 886-7-213-7828

#### Taiwan - Taipei

Tel: 886-2-2508-8600  
Fax: 886-2-2508-0102

#### Thailand - Bangkok

Tel: 66-2-694-1351  
Fax: 66-2-694-1350

### EUROPE

#### Austria - Wels

Tel: 43-7242-2244-39  
Fax: 43-7242-2244-393

#### Denmark - Copenhagen

Tel: 45-4450-2828  
Fax: 45-4485-2829

#### France - Paris

Tel: 33-1-69-53-63-20  
Fax: 33-1-69-30-90-79

#### Germany - Dusseldorf

Tel: 49-2129-3766400

#### Germany - Karlsruhe

Tel: 49-721-625370

#### Germany - Munich

Tel: 49-89-627-144-0  
Fax: 49-89-627-144-44

#### Italy - Milan

Tel: 39-0331-742611  
Fax: 39-0331-466781

#### Italy - Venice

Tel: 39-049-7625286

#### Netherlands - Drunen

Tel: 31-416-690399  
Fax: 31-416-690340

#### Poland - Warsaw

Tel: 48-22-3325737

#### Spain - Madrid

Tel: 34-91-708-08-90  
Fax: 34-91-708-08-91

#### Sweden - Stockholm

Tel: 46-8-5090-4654

#### UK - Wokingham

Tel: 44-118-921-5800  
Fax: 44-118-921-5820

07/14/15