

DTC1

ultra miniature pcb signal relay

DURAKOOL



- Ultra miniature - only 12.5 x 7.5 x 10mm
- Up to 1A /30VDC (resistive)
- DIL Pitch PCB mounting
- Cost effective
- RoHS Compliant

Contacts

Contact number & arrangement	SPDT (1 Changeover); 1 Form C	
Contact material	AgNi0.15 + Au plate (0.2um)	
Max. switching voltage	AC/DC	125VAC, 60VDC
Min. switching current / voltage	50mA/6VDC	
Rated load (resistive - cos φ=1)	AC1	0.5A, 125VAC
	DC1	1A, 30VDC
Max. switching power	62.5VA / 30W	
Max. switching current	1A	
Initial resistance	≤ 100mΩ, max. at 0.1A/6VDC	

Coil

Rated voltage	DC	1.5...24V
Must release voltage	≥0.1Un	
Operating range of supply voltage	See coil table 1	
Rated power consumption	DC	0.15W

Insulation

Insulation resistance	≥1000MΩ at 500VDC, 50%RH	
Dielectric strength		
	coil to contact	1000Vrms, 1min, 50Hz
	contact to contact	400Vrms, 1min, 50Hz

General Data

Operating time (typical)	mS	< 5
Release time (typical)	mS	< 5
Electrical Life	ops	1 x 10 ⁵
Mechanical life	ops	5 x 10 ⁶
Dimensions	L x W x H	12.5 x 7.5 x 10mm
Weight	≤ 2.2g	
Ambient temperature	storage	-30 to 70°C
	operating	-30 to 70°C
Shock resistance	Functional: 10g 11mS; Destructive: 100g	
Vibration resistance	DA 3.3mm 10-55Hz	

DTC1

ultra miniature pcb signal relay

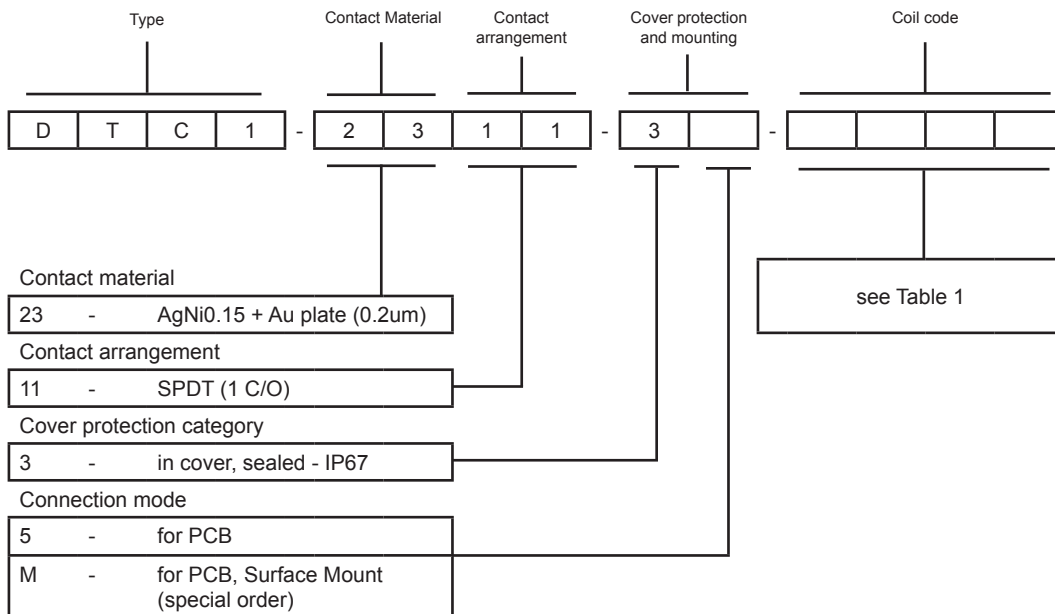


Coil Data (150mW)

Table 1

Coil Voltage Code	Nominal Voltage (VDC)	Max. Voltage (VDC)	Coil Resistance (Ω) $\pm 10\%$	Must operate voltage max. (VDC)	Must release voltage min. (VDC)
S0015	1.5	3	15	1.2	0.15
S003	3	6	60	2.4	0.3
S005	5	10	167	4.0	0.5
S006	6	12	240	4.8	0.6
S009	9	18	540	7.2	0.9
S012	12	24	960	9.6	1.2
S024	24	48	3840	19.2	2.4

Ordering codes



Other versions available to special order (MOQ=10Kpcs). Contact factory for additional information.



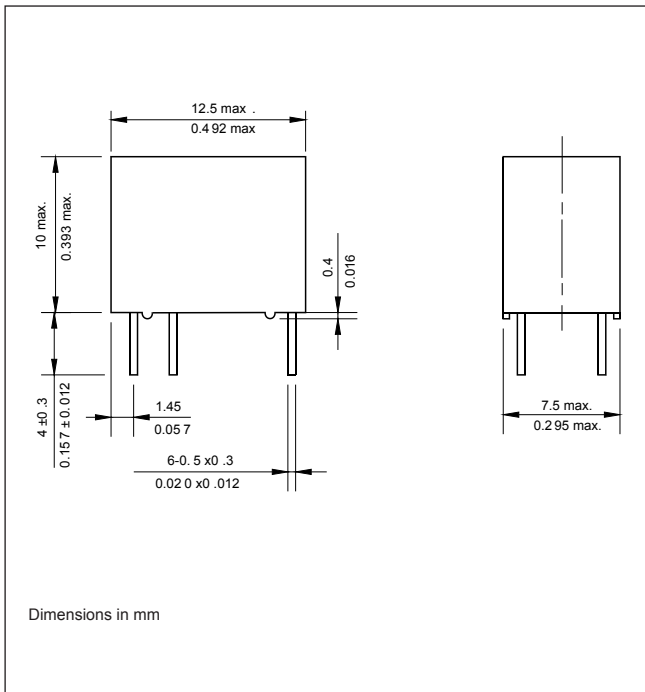
DTC1

ultra miniature pcb signal relay



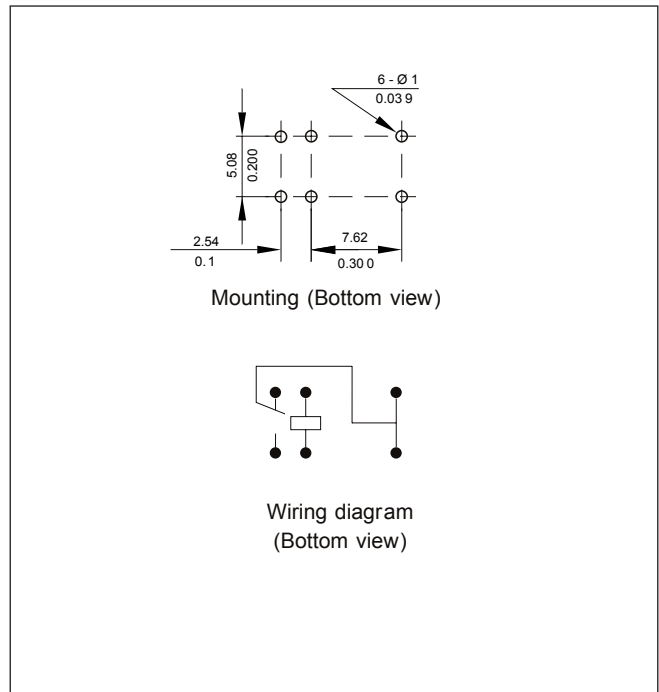
Overall Dimensions

Fig. 1



PCB Mounting Dimensions

Fig. 2



Reference Curves

Fig. 3

