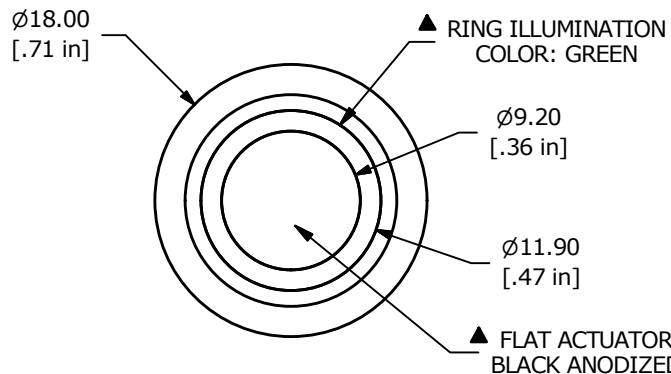
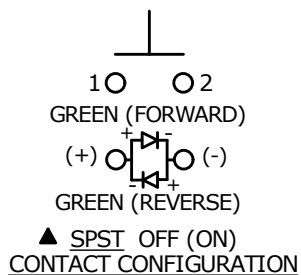


PANEL CUTOUT
MAX. PANEL THICKNESS
10.0mm [.315 in]



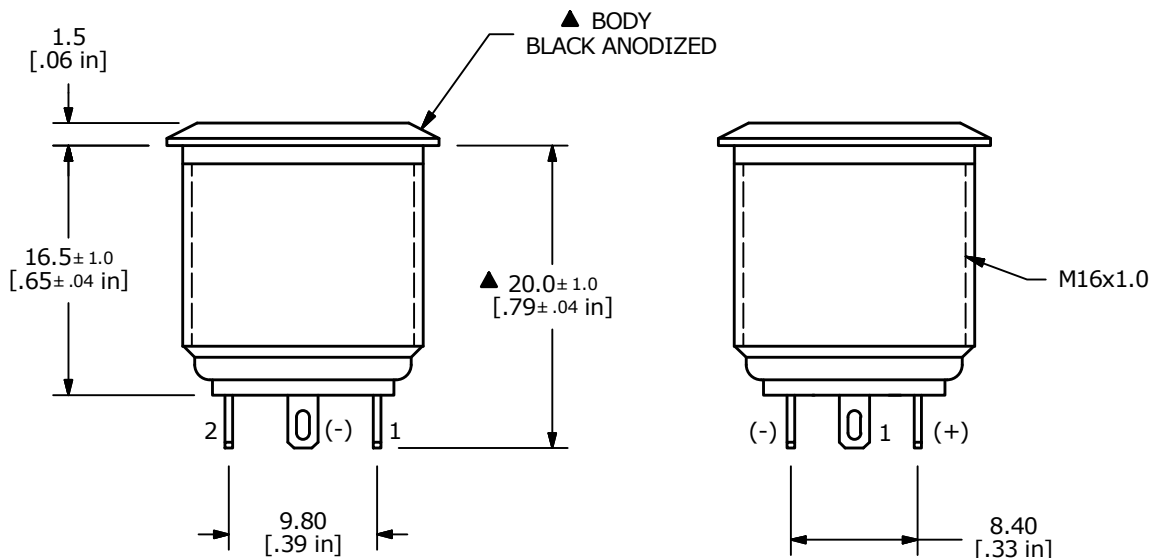
SWITCH FUNCTION	
POS. 1	POS. 2
OFF	(ON)
OPEN	1-2

(ON) = MOMENTARY



NOTE:

- ALL DIMENSIONS IN MM [INCH]
- GENERAL TOLERANCE: X.X = ±0.4
X.XX = ±0.25
- TERMINAL NUMBERS FOR REF ONLY
- ▲ CONTACT MATERIAL: SILVER
- RATING: 2A 48VDC
- ELECTRIC LIFE: 50,000 MAKE-AND-BREAK CYCLES AT FULL LOAD.
- INSULATION RESISTANCE: 1,000MΩ MIN.
- DIELECTRIC STRENGTH: 2,000VAC MIN. FOR 1 MINUTE
- CONTACT RESISTANCE: 50mΩ MAX. @ 1A 12VDC
- OPERATING TEMP.: -20°C to 55°C
- ▲ TRAVEL: 1.8mm
- ▲ DENOTES CRITICAL PARAMETER.
- HARDWARE SUPPLIED: O-RING AND HEXNUT (NOT SHOWN)
- ILLUMINATION VOLTAGE RATING: 2.8V (FORWARD, 2.8V (REVERSE)
- 2002/95/EC (ROHS) COMPLIANT



A	22174	RELEASE FOR PRODUCTION	2/29/16	MW
REV	PCR NO	DESCRIPTION	DATE	BY

TITLE PV6F24011-331				
SCALE 2:1	DATE 2/29/2016	DR MW	DWG 52-PV6F24011331	REV A

THE INFORMATION CONTAINED IN THIS DOCUMENT IS PROPRIETARY TO E-SWITCH AND IS NOT TO BE COPIED OR TRANSFERRED