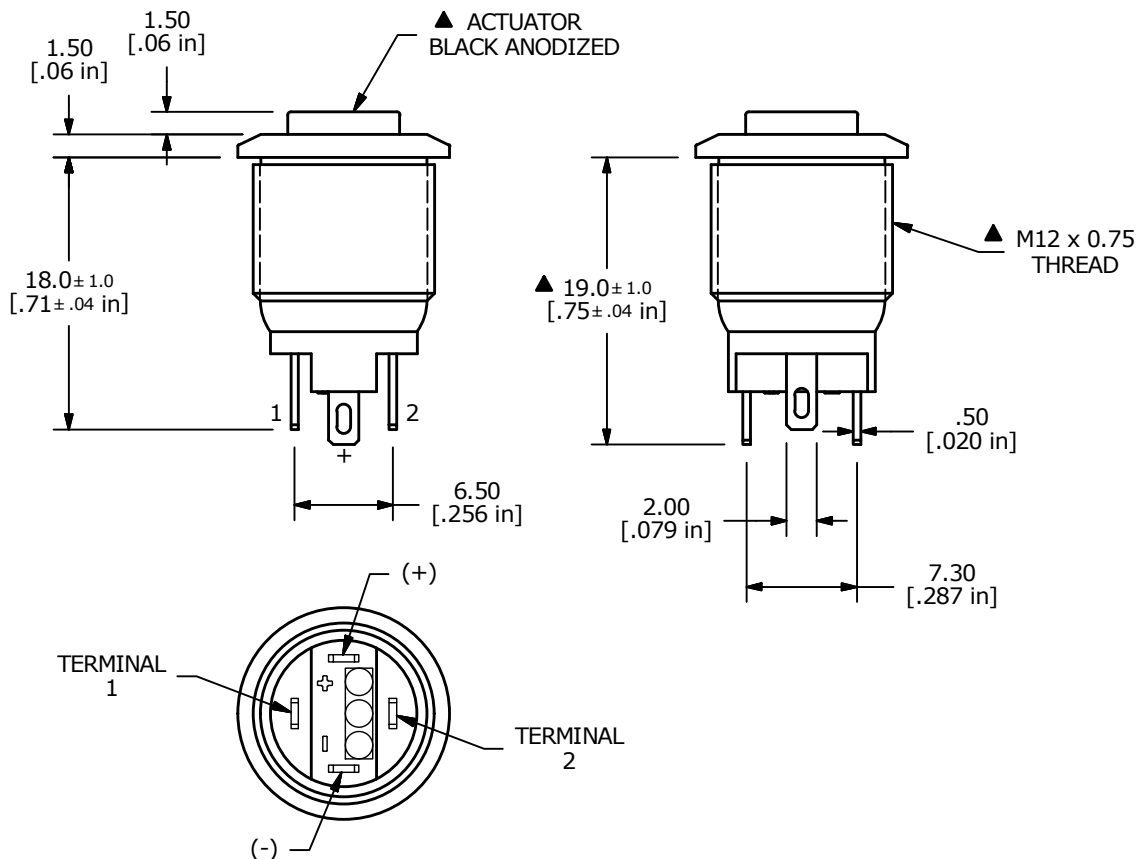
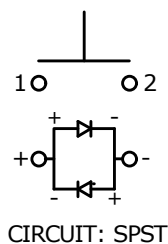


▲ SWITCH FUNCTION

POS. 1	POS. 2
OFF	(ON)
OPEN	1-2

(ON) = MOMENTARY



- NOTE:
1. ALL DIMENSIONS IN MM [INCH]
 2. GENERAL TOLERANCE: X.X = ± 0.4
X.XX = ± 0.25
 3. TERMINAL NUMBERS FOR REF. ONLY
 4. RATING: 2A @ 36VDC
 5. CONTACT RESISTANCE: 50mΩ MAX. @ 1A 12VDC
 6. INSULATION RESISTANCE: 1,000MΩ @ 500VDC
 7. DIELECTRIC STRENGTH: 2,000VAC MIN. FOR 1 MINUTE
 8. ELECTRICAL LIFE: 200,000 CYCLES
 9. CONTACT MATERIAL: SILVER
 10. OPERATING TEMPERATURE: -20°C to 55°C
 - ▲ 11. INGRESS PROTECTION: IP65
 - ▲ 12. LED VOLTAGE: BASE VOLTAGE 2.8V TYP.
 13. ▲ DENOTES CRITICAL PARAMETER
 14. 2011/65/EU (ROHS) COMPLIANT
 15. HARDWARE INCLUDED: HEX NUT AND O-RING (NOT SHOWN)



B	23191	UPDATED THREAD FROM ..0.5 TO ..0.75	1/29/18	MJR
A	22991	NEW RELEASE	9/7/17	MW
REV	PCR NO	DESCRIPTION	DATE	BY

TITLE PV0H24011-341				
SCALE	DATE	DR	DWG	REV
2:1	9/7/2017	MW	52-PV0H24011341	B