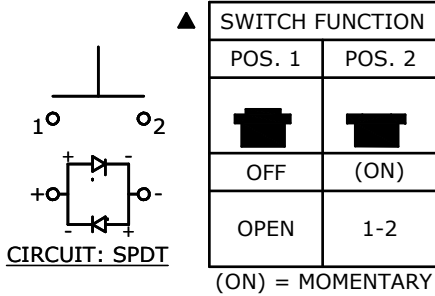
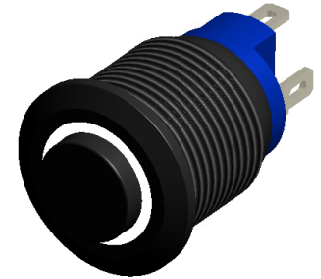
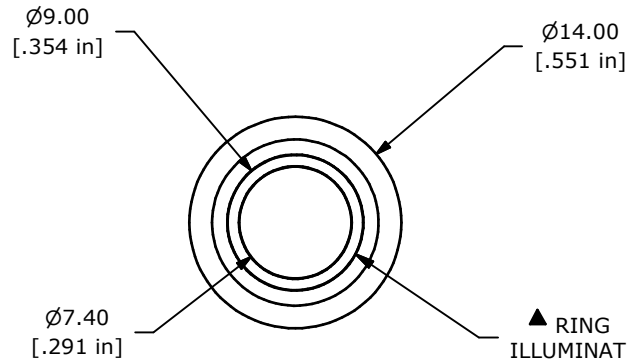


RECOMMENDED  
PANEL CUT-OUT  
1-6mm THICKNESS



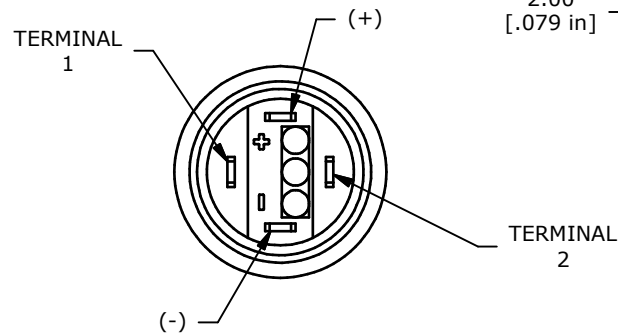
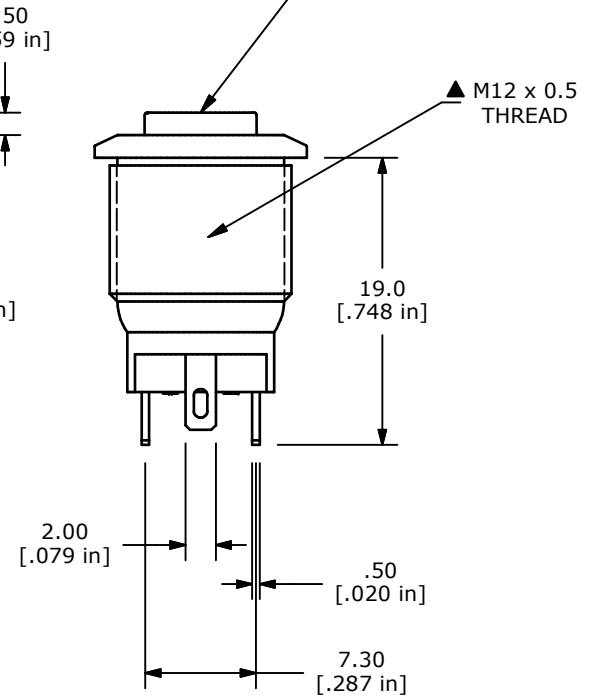
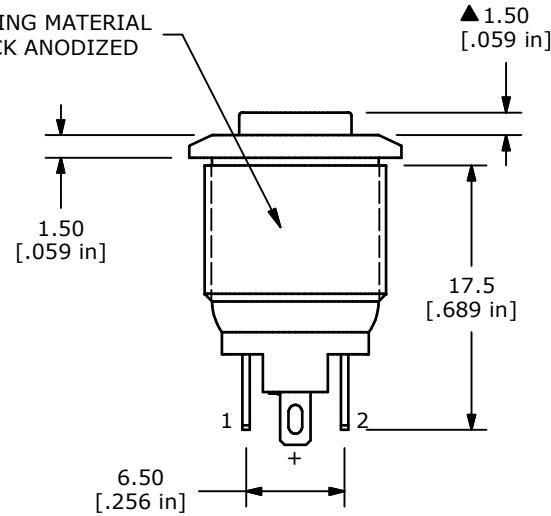
- NOTE:
- ALL DIMENSIONS IN MM [INCH]
  - GENERAL TOLERANCE: X.X = ± 0.4  
X.XX = ± 0.25
  - TERMINAL NOS. FOR REF. ONLY
  - FUNCTION: SPST
  - RATING: 2A @ 36VDC
  - CONTACT RESISTANCE: 50mΩ MAX. @ 1A 12VDC
  - INSULATION RESISTANCE: 1,000MΩ @ 500VDC
  - DIELECTRIC STRENGTH: 2,000VAC MIN. FOR 1 MINUTE
  - ELECTRICAL LIFE: 200,000 CYCLES
  - CONTACT MATERIAL: SILVER
  - OPERATING TEMPERATURE: -20°C TO 55°C
  - INGRESS PROTECTION: IP65
  - ▲13. LED VOLTAGE: BASE VOLTAGE 2.8V TYP.
  - ▲14. LED COLOR: WHITE
  - ▲15. ▲ DENOTES CRITICAL PARAMETER
  - 2011/65/EU (ROHS) COMPLIANT
  - HARDWARE INCLUDED: HEX NUT AND O-RING (NOT SHOWN)



▲ RING  
ILLUMINATED

▲ ACTUATOR MATERIAL  
BLACK ANODIZED

▲ HOUSING MATERIAL  
BLACK ANODIZED



A	22568	NEW RELEASE	10/28/16	MJR
REV	PCR NO	DESCRIPTION	DATE	BY

TITLE PV0H24011-301				
SCALE 2:1	DATE 10/28/2016	DR MJR	DWG 52-PV0H24011301	REV A

THE INFORMATION CONTAINED IN THIS DOCUMENT IS PROPRIETARY TO E-SWITCH AND IS NOT TO BE COPIED OR TRANSFERRED