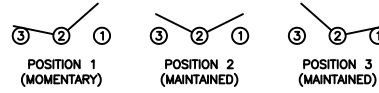


SCHMATIC



SPECIFICATIONS

FUNCTION:
1P2T (ON)-OFF-ON

RATINGS:
ANSI/UL 1054 and CAN/CSA C22.2 No. 55 (E194579):
10A 125VAC [UR, cUR]
NOM-003-SCFI-2000 (200801C11357):
10A 125V~ [NOM]
6A 250V~ [NOM]
EN 61058-1:2002+A2 (SE/09138-2):
6(2)A 250V~ 1E4 μ T125/55 [ENEC14, SMEKO]

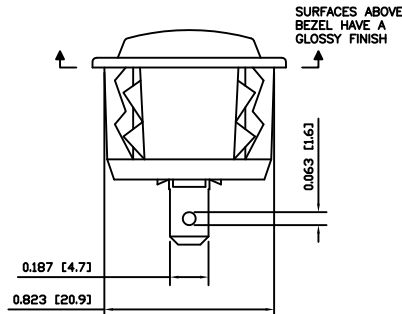
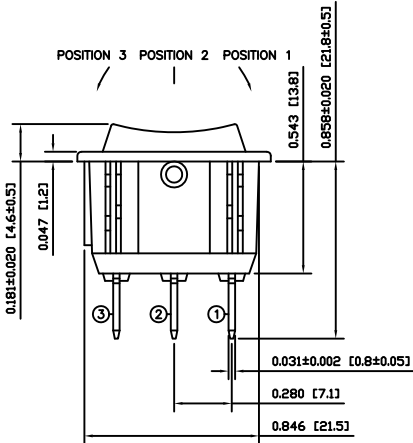
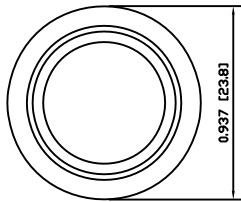
CONTACT RESISTANCE:
Initial: 35mΩ Max. at 50VAC

INSULATION RESISTANCE:
100MΩ Min. at 500VAC

DIELECTRIC STRENGTH:
1,500VAC For 1 Minute

ELECTRICAL LIFE:
6,000 Cycles [UR, cUR, NOM]
10,000 Cycles [ENEC14, SMEKO]

TEMPERATURE:
Operating: -20°C to 105°C [UR, cUR, NOM]
Operating: -20°C to 125°C [ENEC14, SMEKO]



COLORS AND MARKINGS

BODY:
Black

ACTUATOR:
Black

MARKING:
None

MARKING COLOR:
None

MATERIALS

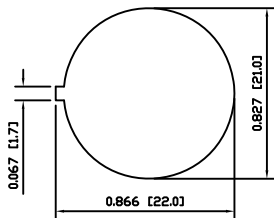
BODY:
Polyamide 6/6 (PA66), UL94 V-2

ACTUATOR:
Polyamide 6/6 (PA66), UL94 V-2

CONTACTS:
Silver Alloy Plated Copper

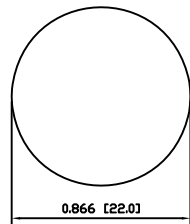
TERMINALS:
Silver Plated Copper

SUGGESTED PANEL CUTOUT



PANEL THICKNESS: 0.024~0.315 [0.6~8.0]

ALTERNATE PANEL CUTOUT



PANEL THICKNESS: 0.024~0.315 [0.6~8.0]

ACTUATOR	A	09/11/06	CAB
BODY	A	09/11/06	CAB
COLORS	A	09/11/06	CAB
MATERIALS	A	09/11/06	CAB
SPECIFICATIONS	B	11/05/09	CAB
REFERENCE	REV.	DATE	BY

THE INFORMATION CONTAINED IN THIS DOCUMENT IS PROPRIETARY TO E-SWITCH AND IS NOT TO BE COPIED OR TRANSFERRED

B	CHANGED THE VDE APPROVAL TO SEMKO APPROVAL	19931	11/05/11	CAB
A	INITIAL RELEASE	PCRD0209	09/11/17	CAB
REV.	DESCRIPTION	PCR	DATE	DRAWN BY

DIMENSIONS	
INCHES [MILLIMETERS]	
GENERAL TOLERANCES	
±0.008 [±0.2] / ±1'	
SCALE	PROJECTION
DRAWING NOT TO SCALE	1:1

RRGA1C31100			
ITEM NUMBER	DATE	REVISION	
38-RRGA1C31100	MAY 11, 2011	B	