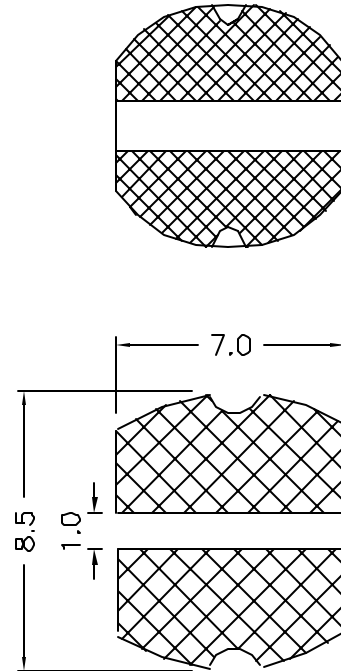
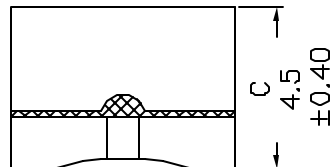
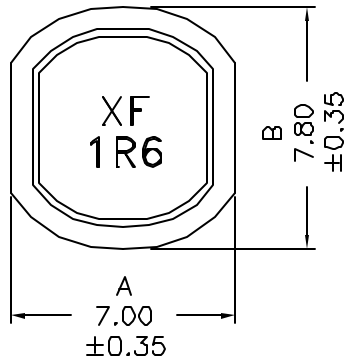


1. Mechanical Dimensions:



PAD LAYOUT

Notes:

1. Solderability: Leads shall meet MIL-STD-202G, Method 208H for solderability.
2. Flammability: UL94V-0
3. ASTM oxygen index: > 28%
4. Insulation System: Class F 155°C, UL file E151556
5. Operating Temperature Range: All listed parameters are to be within tolerance from -40°C to +85°C
6. Storage Temperature Range: -55°C to +125°C
7. Aqueous wash compatible
8. SMD Lead Coplanarity: ± 0.004 (0.102mm)
9. Electrical and mechanical specifications 100% tested
10. RoHS Compliant Component

DOC REV: A/1

2. Schematic:



3. Electrical Specifications: @25°C

OCL: 1.6uH \pm 20% @1KHz 1.0V

Q: 15 Min @100KHz 0.1V

DCR: 0.018 Ohms Max

IDC: 1.0A

PROPRIETARY Document is the property of XFMRS Group & is not allowed to be duplicated without authorization.

XFMRS Inc www.XFMRS.com	Title: XFSDR74SH SERIES INDUCTORS	
	UNLESS OTHERWISE SPECIFIED TOLERANCES: N/A Dimensions in MM	P/N: XFSDR74SH-1R6M
	DWN.	Mei Chen Mar-23-10
	CHK.	YK Liao Mar-23-10
SHT 1 OF 1	APP.	Joe Huff Mar-23-10