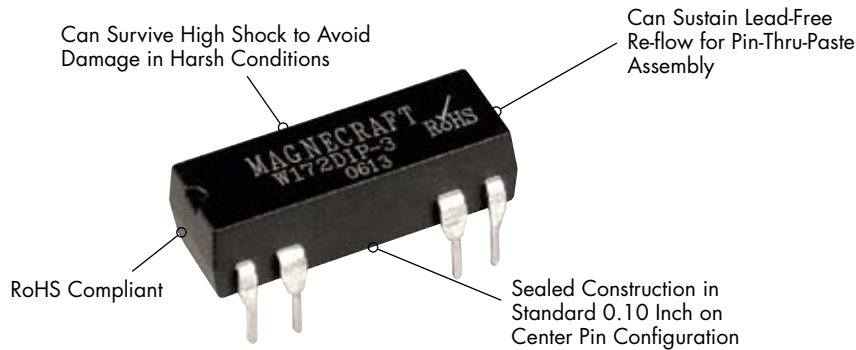


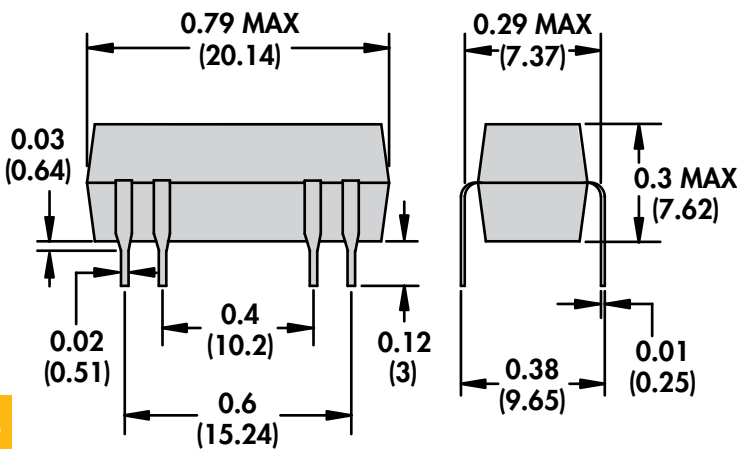
# 172DIP PCB Mount Miniature Reed Relay/SPDT and DPDT 0.25 Amp Rated



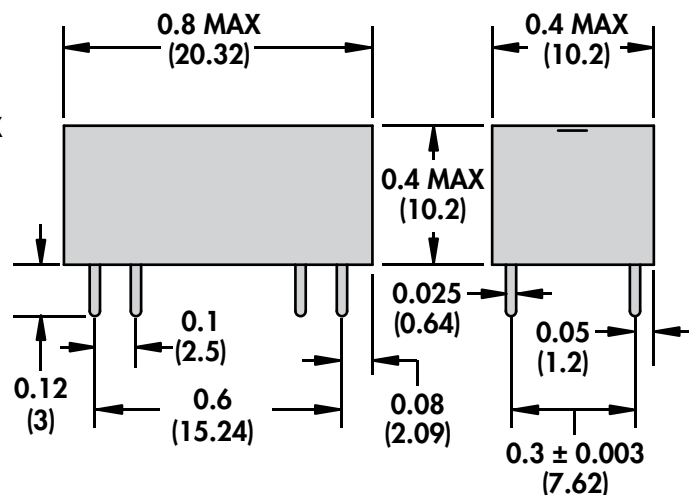
## General Specifications

Contact Characteristics		Units	172DIP SPDT	172DIP DPDT
Number and type of Contacts			SPDT	DPDT
Contact materials			Rhodium	Rhodium
Current rating		A	0.25	0.25
Switching voltage		V	60	60
		V	100	100
Minimum Switching Requirement	Minimum	mA	10	10
Coil Characteristics				
Voltage Range		V	5...24	5...24
Operating Range	% of Nominal		80% to 110%	80% to 110%
Average consumption		W	0.29	0.29
Drop-out voltage threshold			10%	10%
Performance Characteristics				
Electrical Life	Operations @ Rated Current (Resistive)		50,000,000	50,000,000
Mechanical Life	Unpowered		100,000,000	100,000,000
Operating time (response time)		ms	1	1
Rated insulation voltage	Between coil and contact	V	1000	1000
Dielectric strength	Between poles	V	1000	1000
rms voltage	Between contacts	V	200	200
Environment				
Ambient air temperature	Storage	°C	-40...+85	-40...+85
around the device	Operation	°C	-40...+55	-40...+55
Vibration resistance	Operational	g-n	20, 10-200 Hz	20, 10-200 Hz
Shock resistance		g-n	50	50
Weight		grams	1	1

**172DIP SPDT**



**172DIP DPDT**



WHEN SPACING DIP RELAYS, THE RELAYS REQUIRE 1/2 INCH SPACING FROM THE SIDE OF THE ADJACENT RELAYS



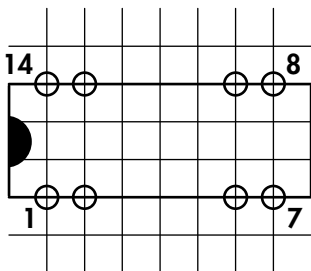
**Standard Part Numbers**

**BOLD-FACED PART NUMBERS ARE NORMALLY STOCKED**

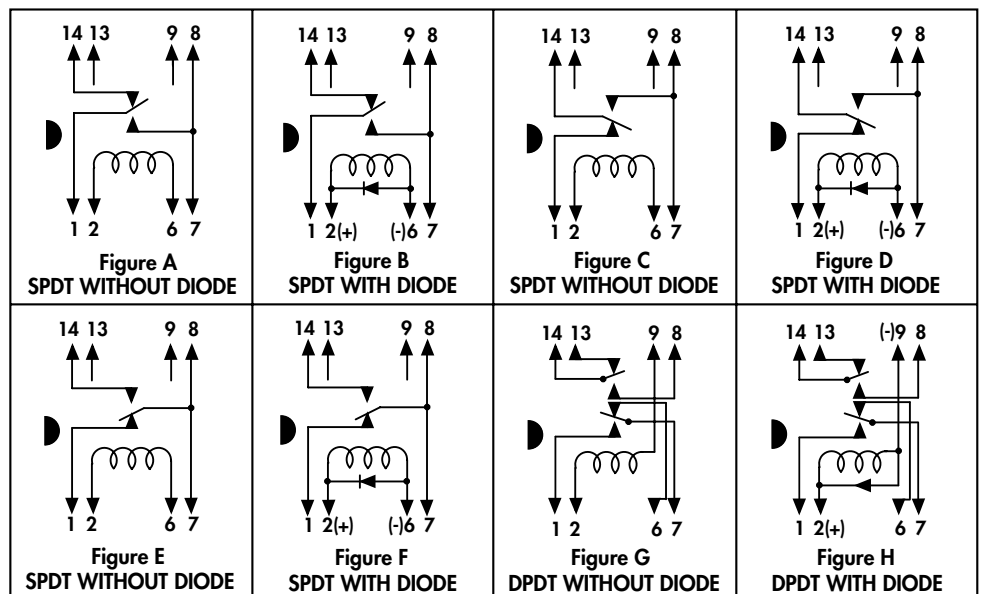
Nominal Input Voltage	Nominal Coil Resistance ( $\Omega$ )	Part Number	Contact Configuration	Figure
5 VDC	200 $\Omega$	<b>W172DIP-1</b>	SPDT	A
12 VDC	1000 $\Omega$	<b>W172DIP-3</b>	SPDT	A
24 VDC	2200 $\Omega$	<b>W172DIP-4</b>	SPDT	A
5 VDC	200 $\Omega$	<b>W172DIP-5</b>	SPDT w/ Clamping Diode	B
12 VDC	1000 $\Omega$	<b>W172DIP-7</b>	SPDT w/ Clamping Diode	B
24 VDC	2200 $\Omega$	<b>W172DIP-8</b>	SPDT w/ Clamping Diode	B
5 VDC	200 $\Omega$	<b>W172DIP-31</b>	SPDT	C
12 VDC	1000 $\Omega$	<b>W172DIP-33</b>	SPDT	C
24 VDC	2200 $\Omega$	W172DIP-34	SPDT	C
5 VDC	200 $\Omega$	<b>W172DIP-35</b>	SPDT w/ Clamping Diode	D
12 VDC	1000 $\Omega$	<b>W172DIP-37</b>	SPDT w/ Clamping Diode	D
24 VDC	2200 $\Omega$	W172DIP-38	SPDT w/ Clamping Diode	D
5 VDC	200 $\Omega$	<b>W172DIP-141</b>	SPDT	E
12 VDC	1000 $\Omega$	<b>W172DIP-145</b>	SPDT	E
24 VDC	3200 $\Omega$	<b>W172DIP-146</b>	SPDT	E
5 VDC	200 $\Omega$	<b>W172DIP-147</b>	SPDT w/ Clamping Diode	F
12 VDC	1000 $\Omega$	<b>W172DIP-149</b>	SPDT w/ Clamping Diode	F
24 VDC	3200 $\Omega$	<b>W172DIP-150</b>	SPDT w/ Clamping Diode	F
5 VDC	46 $\Omega$	<b>W172DIP-17</b>	DPDT	G
12 VDC	266 $\Omega$	<b>W172DIP-19</b>	DPDT	G
24 VDC	1066 $\Omega$	<b>W172DIP-20</b>	DPDT	G
5 VDC	46 $\Omega$	<b>W172DIP-21</b>	DPDT w/ Clamping Diode	H
12 VDC	266 $\Omega$	<b>W172DIP-23</b>	DPDT w/ Clamping Diode	H
24 VDC	1066 $\Omega$	<b>W172DIP-24</b>	DPDT w/ Clamping Diode	H

**WIRING DIAGRAMS TOP VIEW**

**CIRCUIT BOARD PIN SPACING  
VIEWED FROM COMPONENT SIDE  
(TOP VIEW)**



0.1 IN GRID  
(2.54 MM)



# Mouser Electronics

Authorized Distributor

Click to View Pricing, Inventory, Delivery & Lifecycle Information:

## Magnecraft / Schneider Electric:

[W172DIP-23](#) [W172DIP-21](#) [W172DIP-38](#) [W172DIP-19](#) [W172DIP-33](#) [W172DIP-37](#) [W172DIP-17](#) [W172DIP-35](#)  
[W172DIP-5](#) [W172DIP-3](#) [W172DIP-1](#) [W172DIP-7](#) [W172DIP-8](#) [W172DIP-145](#) [W172DIP-146](#) [W172DIP-149](#)  
[W172DIP-141](#) [W172DIP-150](#) [W172DIP-147](#)

## Schneider Electric:

[W172DIP-31](#) [W172DIP-20](#)