

SAW Filter 873.0MHz
Part No: MP06157

Model: TB1009A
Rev No: 2

A. MAXIMUM RATING:

Electrostatic Sensitive Device

1. Operating temperature range: -25°C to 55°C
2. Storage temperature range: -40°C to 85°C
3. Input Power Level: 10dBm
4. Maximum DC Voltage: 10V

B. CHARACTERISTICS:

Ambient Temperature: 25°C

Characteristics	Min.	Typ.	Max.
Center frequency Fc MHz	872.5	873	873.5
Maximum Insertion loss IL dB	-	26.0	30.0
1.0dB Band Width MHz	14.0	14.9	-
40dB Band Width MHz		18.1	19.0
Passband Ripple at Fc ± 7.0MHz dB	-	0.8	1.2
Attenuation (Reference level from minimum Insertion loss)			
863.5MHz dB	40	50	-
882.5MHz dB	40	43	-
Single Input Impedance Ohm	-	50	-
Single Output Impedance Ohm	-	50	-
Temperature Coefficient ppm/°C ²	-	-0.036	-

SAW Filter 873.0MHz
Part No: MP06157

Model: TB1009A
Rev No: 2

C. FREQUENCY RESPONSES:

1. Wide band response

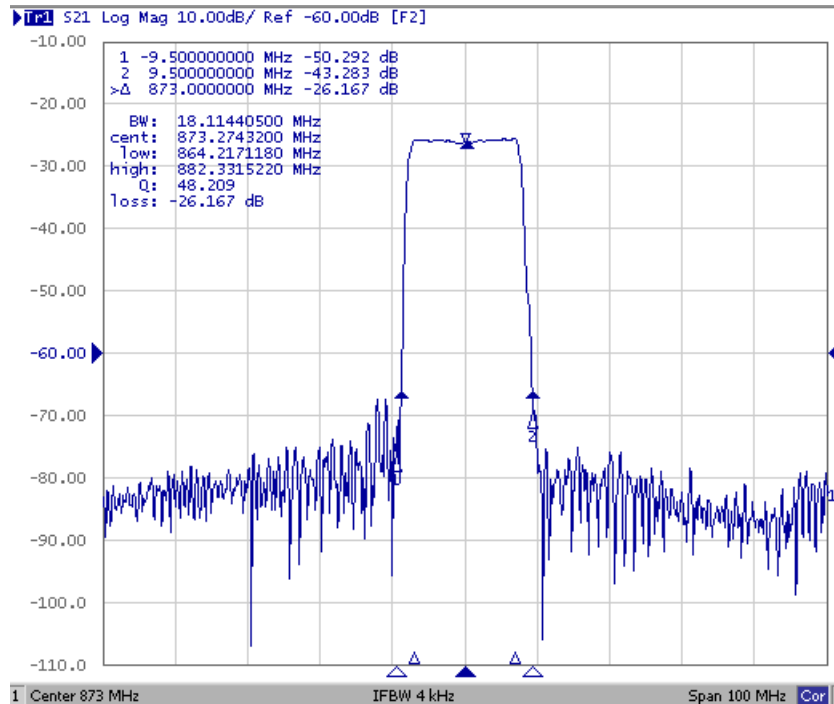


Fig. 1: Horizontal: 10MHz / Div, Vertical: 10dB / Div

2. Pass band & Group Delay response

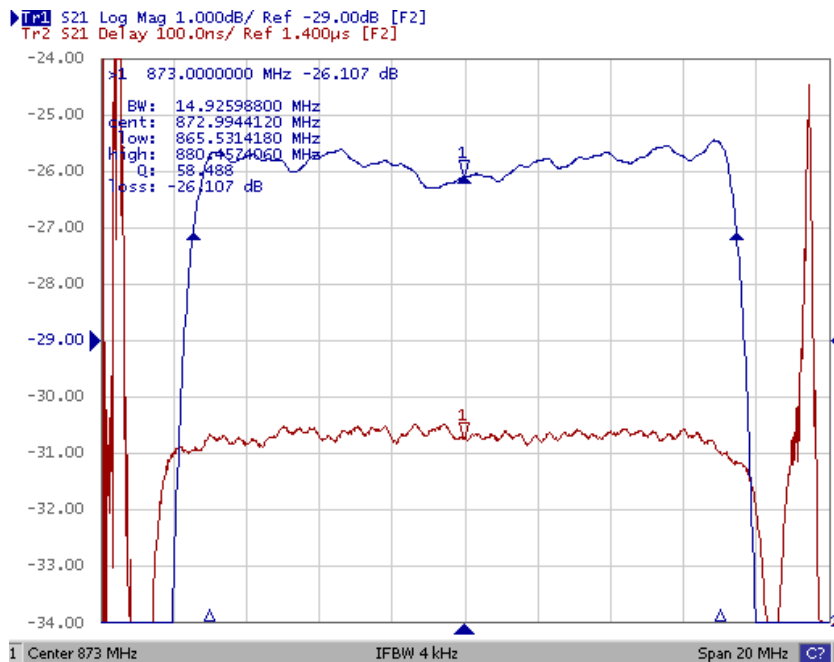
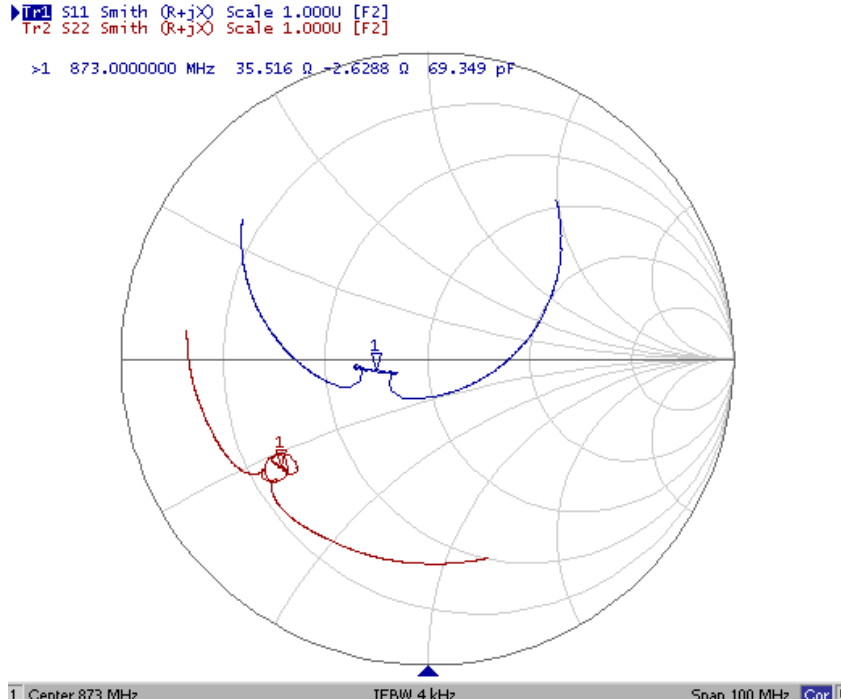


Fig. 2: Horizontal: 2MHz / Div, Vertical: 1dB / Div, Vertical: 100ns / Div

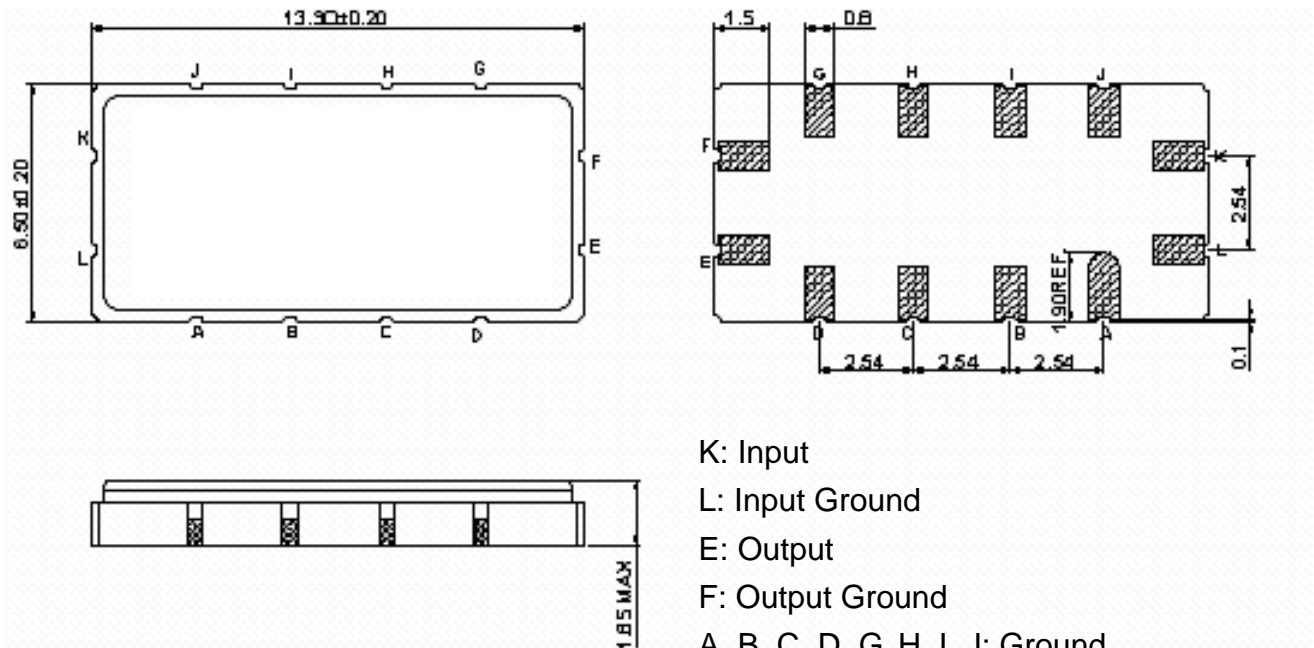
SAW Filter 873.0MHz
Part No: MP06157

Model: TB1009A
Rev No: 2

3. Smith Chart



D. OUTLINE DRAWING:

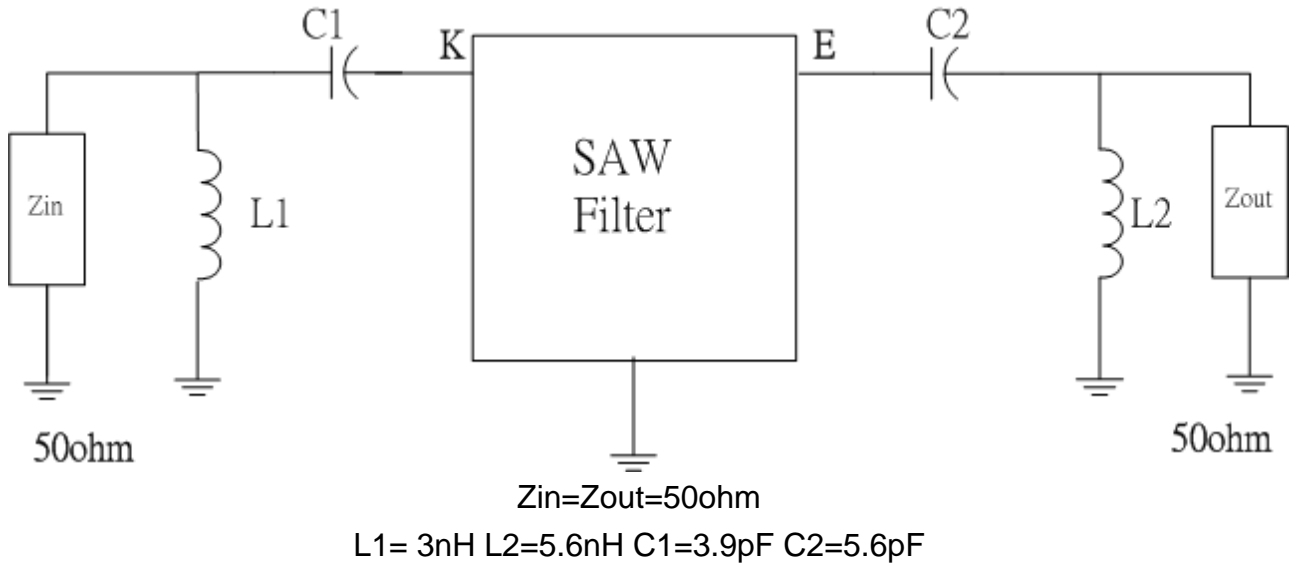


- K: Input
 - L: Input Ground
 - E: Output
 - F: Output Ground
 - A, B, C, D, G, H, I, J: Ground
- Unit: mm

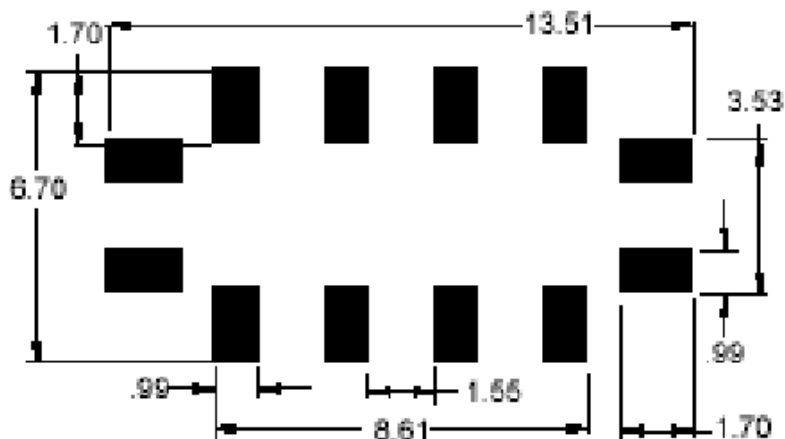
SAW Filter 873.0MHz
Part No: MP06157

Model: TB1009A
Rev No: 2

E. MATCHING CIRCUIT:



F. PCB FOOTPRINT:

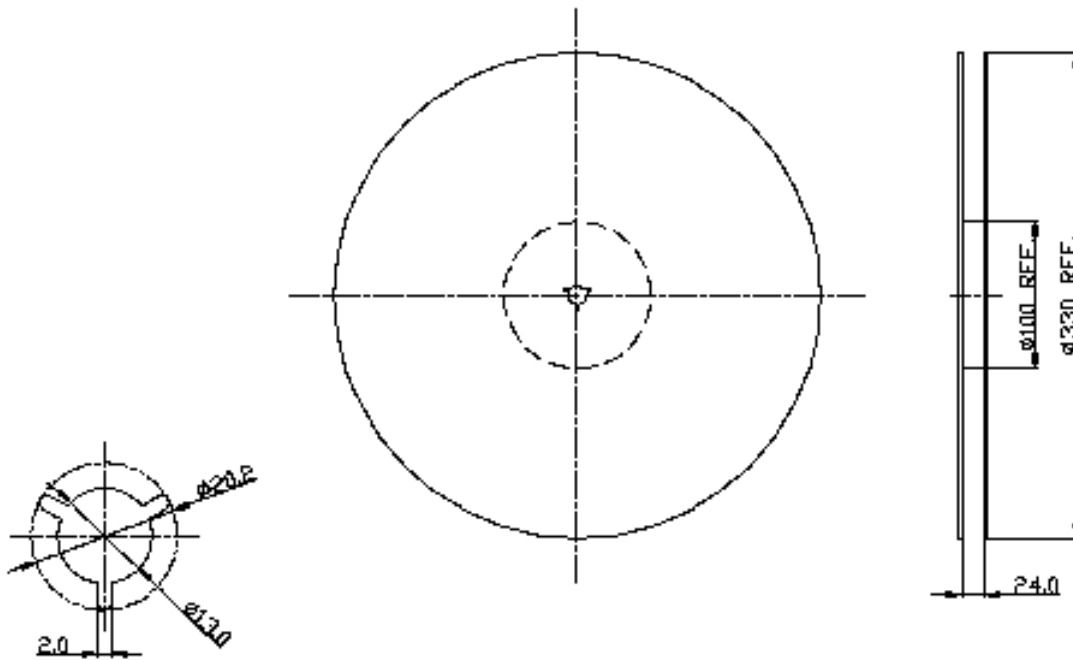


SAW Filter 873.0MHz
Part No: MP06157

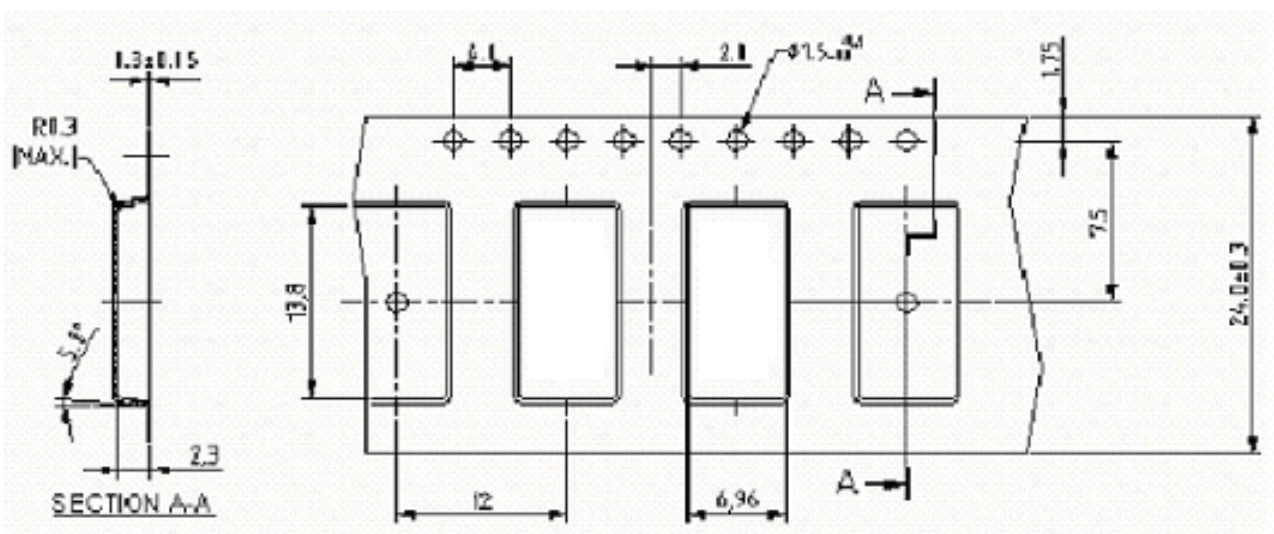
Model: TB1009A
Rev No: 2

G. PACKING:

1. Reel Dimension: (Reel count: 7" = 500)



2. Tape Dimension



SAW Filter 873.0MHz
Part No: MP06157

Model: TB1009A
Rev No: 2

H. RECOMMENDED REFLOW PROFILE:

