

CARMEN-SS-C

~12° spot beam. Assembly with holder C compatible with LEDiL HEKLA. Updated version.

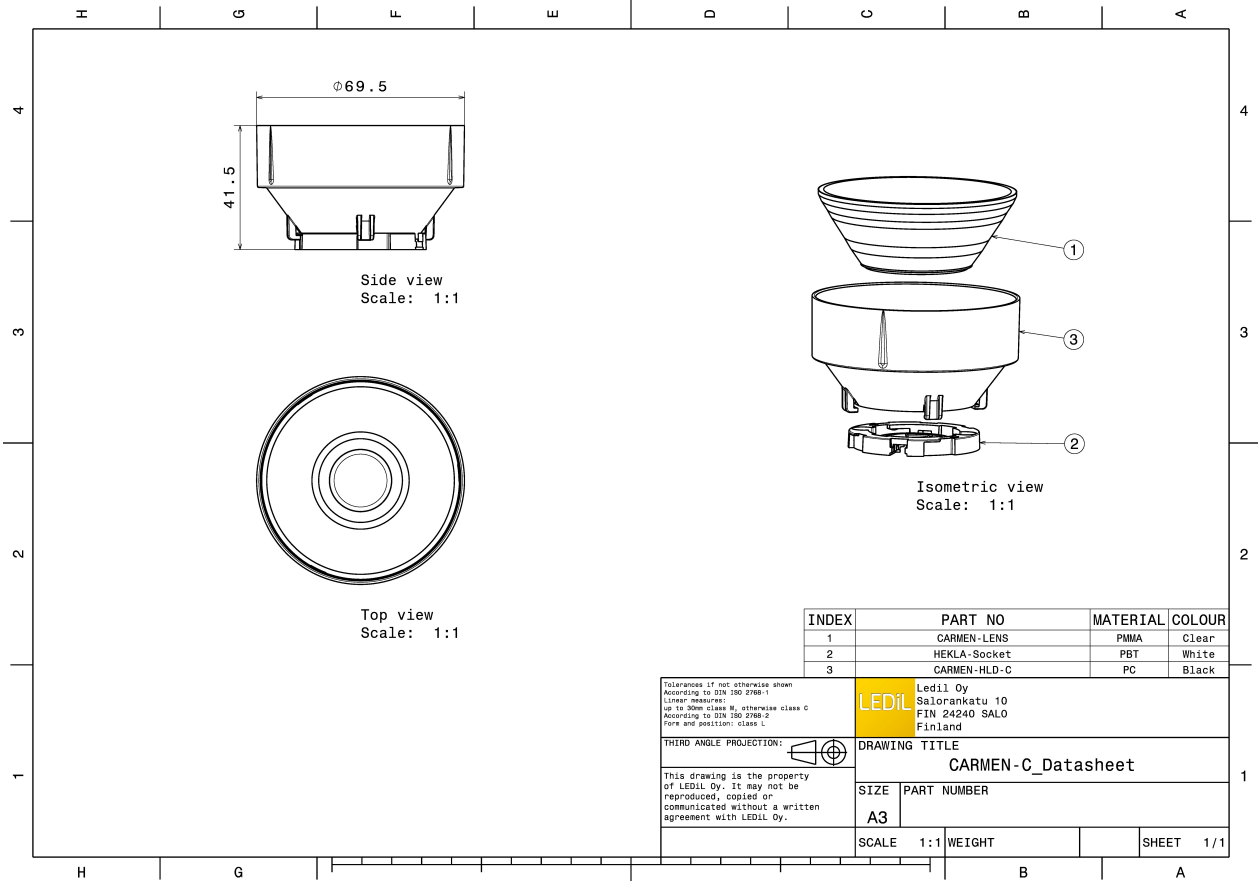
TECHNICAL SPECIFICATIONS:

Dimensions	Ø 69.5 mm
Height	41.5 mm
Fastening	socket
Colour	
Box size	480 x 280 x 300 mm
Box weight	8.4 kg
Quantity in Box	150 pcs
ROHS compliant	yes ⓘ



MATERIAL SPECIFICATIONS:

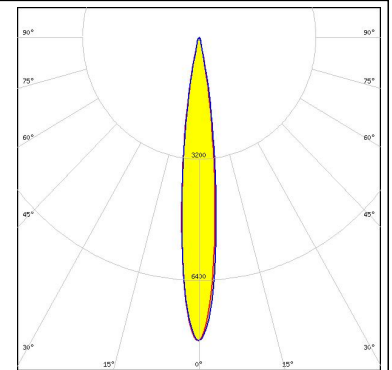
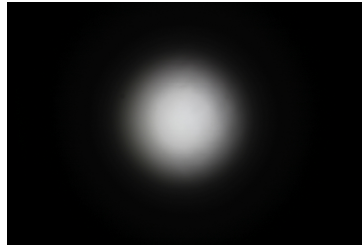
Component	Type	Material	Colour
CARMEN-SS	Lens	PMMA	clear
CARMEN-HLD-C	Holder	PC	black



PHOTOMETRIC DATA (MEASURED):

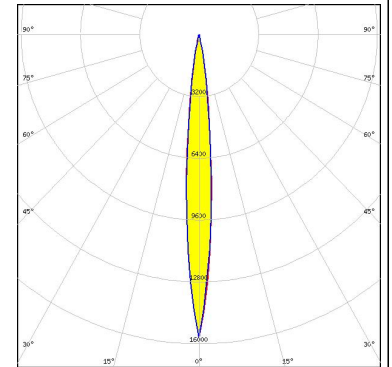
CITIZEN

LED CLL02x/CLU02x (LES10)
FWHM 13.0°
Efficiency 61 %
Peak intensity 8.000 cd/lm
Required components:
F15255_HEKLA-SOCKET-C



CITIZEN

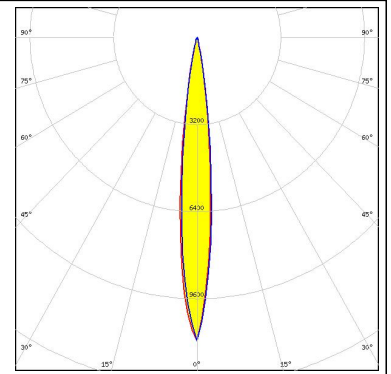
LED CLU700/701
FWHM 10.0°
Efficiency 64 %
Peak intensity 13.900 cd/lm
Required components:
F15255_HEKLA-SOCKET-C



PHOTOMETRIC DATA (SIMULATED):

CREE 

LED CXA/B 15xx
FWHM 12.0°
Efficiency 68 %
Peak intensity 11.100 cd/lm
Required components:
F15256_HEKLA-SOCKET-D



GENERAL INFORMATION:

NOTE: The typical beam angle will be changed by different color, chip size and chip position tolerance. The typical total beam angle is the full angle measured where the luminous intensity is half of the peak value.

Due to use of high power COB's with this product, special attention to proper thermal design is highly recommended. LEDiL has no liability for direct, indirect or consecutive damages arising from the LEDiL products being used outside of the recommended temperature range.

MATERIALS:

As part of our continuous research and improvement processes, and to ensure the best possible quality and availability of our products, LEDiL reserves the right to change material grades without notice.

PRODUCT DATA USER AGREEMENT AND DISCLAIMER:

The measured data in the provided downloadable LEDiL Product Datasheets and Mechanical 2D-Drawings is rounded and provided as reference for planning. LEDiL Oy's optical specifications have been verified by conducting performance testing of the products in accordance with the company's quality system. The reported data are averaged results of multiple measurements with typical variation. LEDiL Oy reserves the right to without prior notification make changes and improvements to its products.

LEDiL Oy assumes neither warranty, nor guarantee nor any other liability of any kind for the contents and correctness of the provided data. The provided data has been generated with highest diligence but the provided data may in reality not represent the complete possible variation range of all intrinsic parameters. Therefore, in certain cases a deviation from the provided data could occur.

LEDiL Oy reserves the right to undertake technical changes of its products without further notification which could lead to changes in the provided data. LEDiL Oy assumes no liability of any kind for the possible deviation from any provided data or any other damage resulting from the usage of the provided data.

The user agrees to this disclaimer and user agreement with the download or usage of the provided files.

LEDiL Oy

Joensuunkatu 13
FI-24240 SALO
Finland

LEDiL Inc.

228 West Page Street
Suite D
Sycamore IL 60178
USA

Local sales and technical support

www.ledil.com/where_to_buy

Shipping locations

Salo, Finland
Hong Kong, China

Distribution Partners

www.ledil.com/where_to_buy