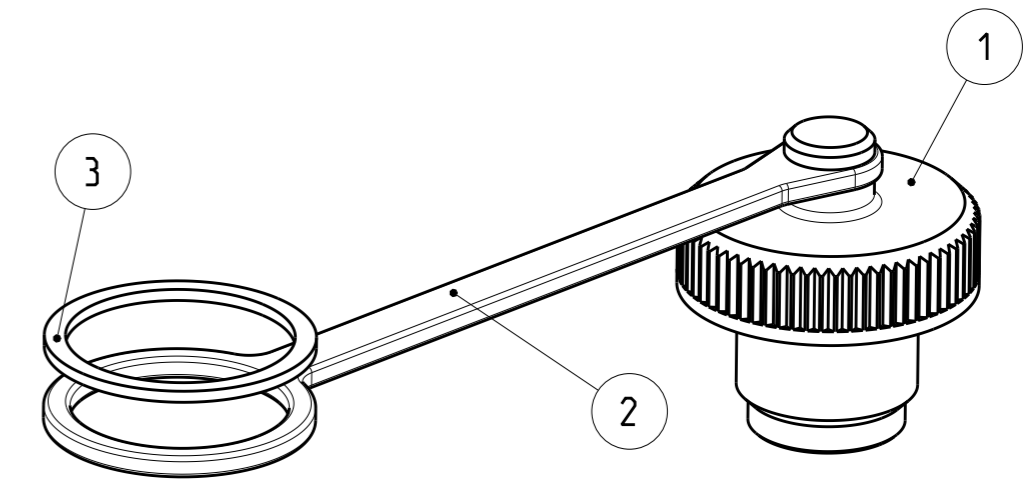
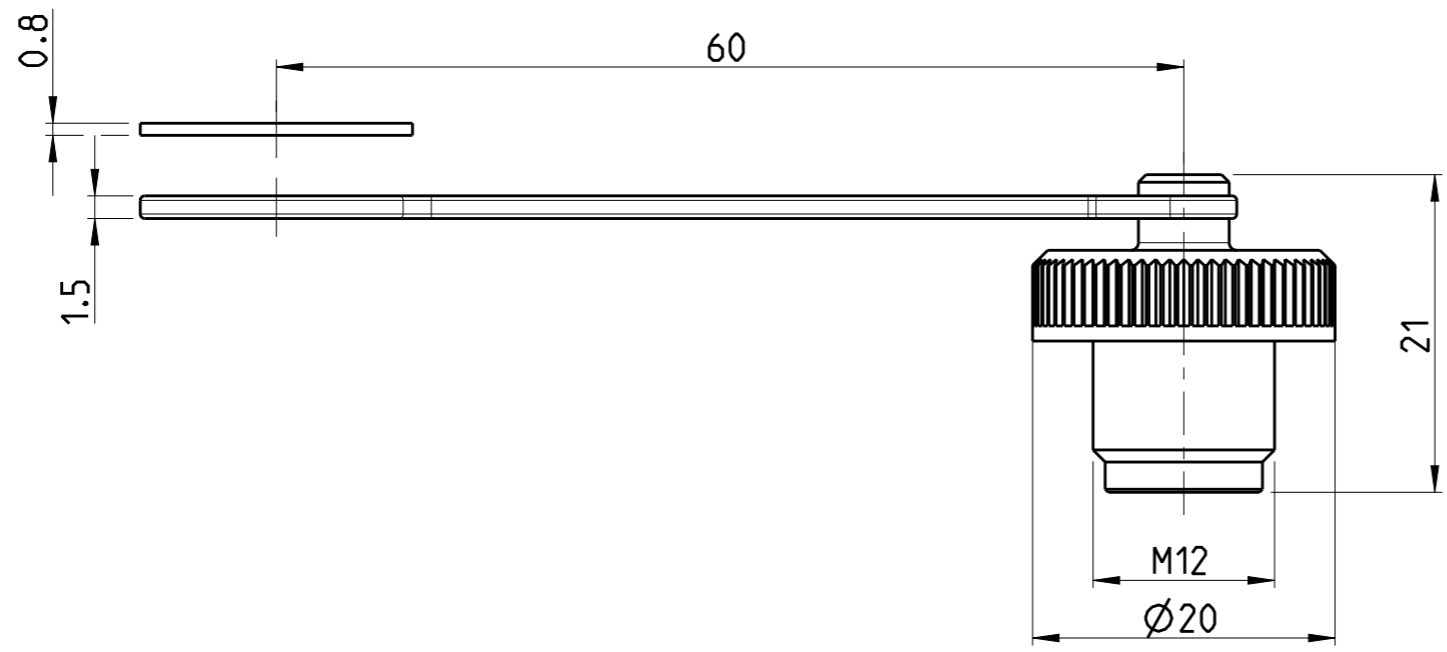


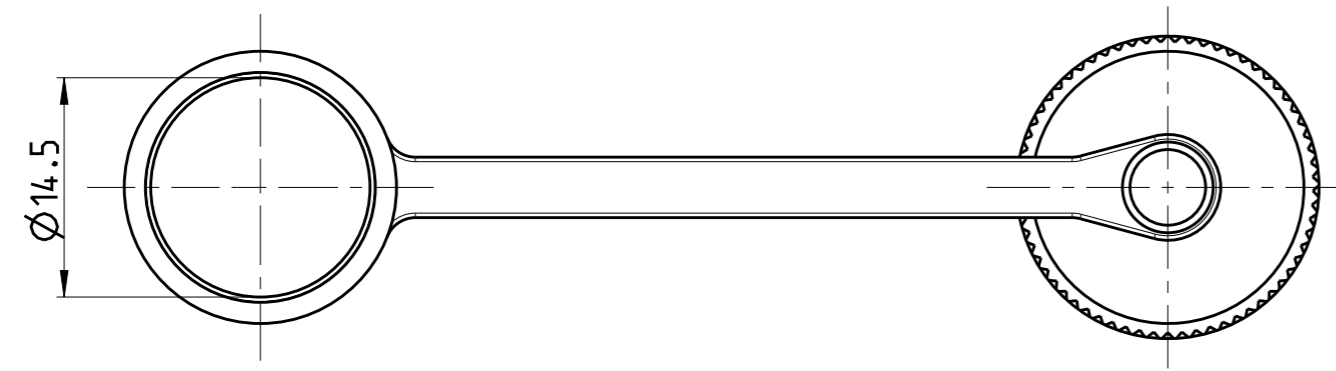
THIS DRAWING IS UNPUBLISHED. RELEASED FOR PUBLICATION 20
 © COPYRIGHT 20 BY - ALL RIGHTS RESERVED.

| REVISIONS | | | | | |
|-----------|-----|-------------|-----------|-----|------|
| P | LTR | DESCRIPTION | DATE | DWN | APVD |
| | A | NEW RELEASE | 19NOV2014 | TJ | PS |
| | | | | | |
| | | | | | |



2823065-1 AS SHOWN

- NOTES:
 1. QUALIFIES PROTECTION: IP 67
 2. ALL DIMENSIONS FOR REFERENCE ONLY UNLESS OTHERWISE TOLERANCES SPECIFIED.



| | | |
|----------|----------------|---------|
| PA 66 | WASHER | 3 |
| PUR | SLEEVE | 2 |
| PA 66 | PROTECTIVE CAP | 1 |
| MATERIAL | DESCRIPTION | ITEM NO |

| | | | | |
|---|--|----------------------------------|--|----------------------|
| THIS DRAWING IS A CONTROLLED DOCUMENT. | | DWN CHIRASHREE 17OCT2014 | | |
| DIMENSIONS: mm | | CHK MOHAMMED THAJUDEEN 17OCT2014 | | |
| TOLERANCES UNLESS OTHERWISE SPECIFIED: | | APVD PRASHANTH S 17OCT2014 | NAME M12 PROTECTION CAP FOR FEMALE SOCKET, IP 67, FRONT FASTENED | |
| 0 PLC ± 1 PLC ± 2 PLC ± 3 PLC ± 4 PLC ± ANGLES ± | | PRODUCT SPEC - | SIZE A3 | |
| MATERIAL NA | | APPLICATION SPEC - | CAGE CODE - | DRAWING NO C-2823065 |
| FINISH - | | WEIGHT - | RESTRICTED TO - | |
| - | | Customer Drawing | SCALE 2:1 | SHEET 1 OF 1 REV A |