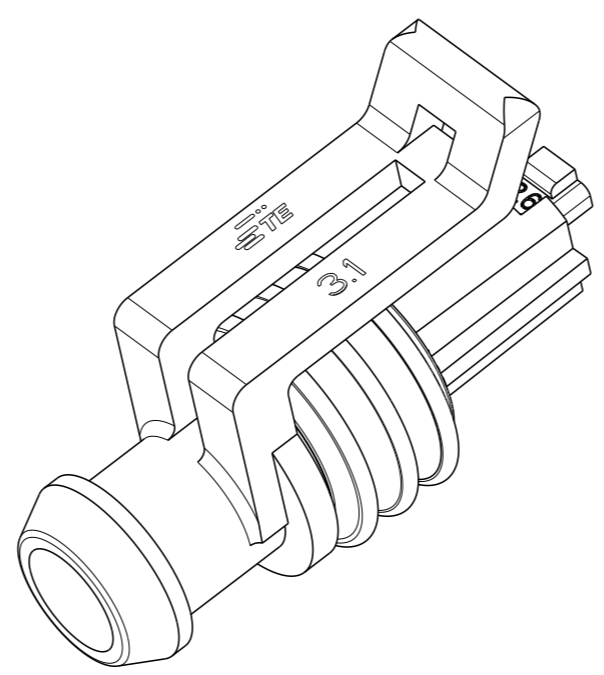
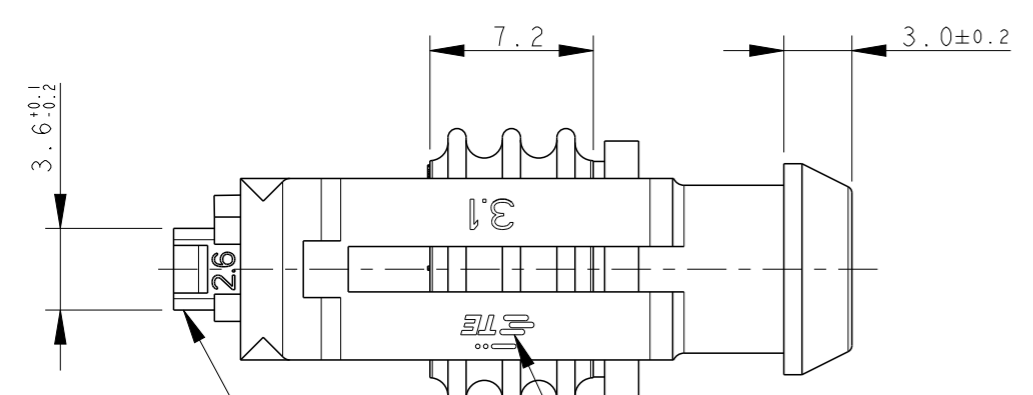
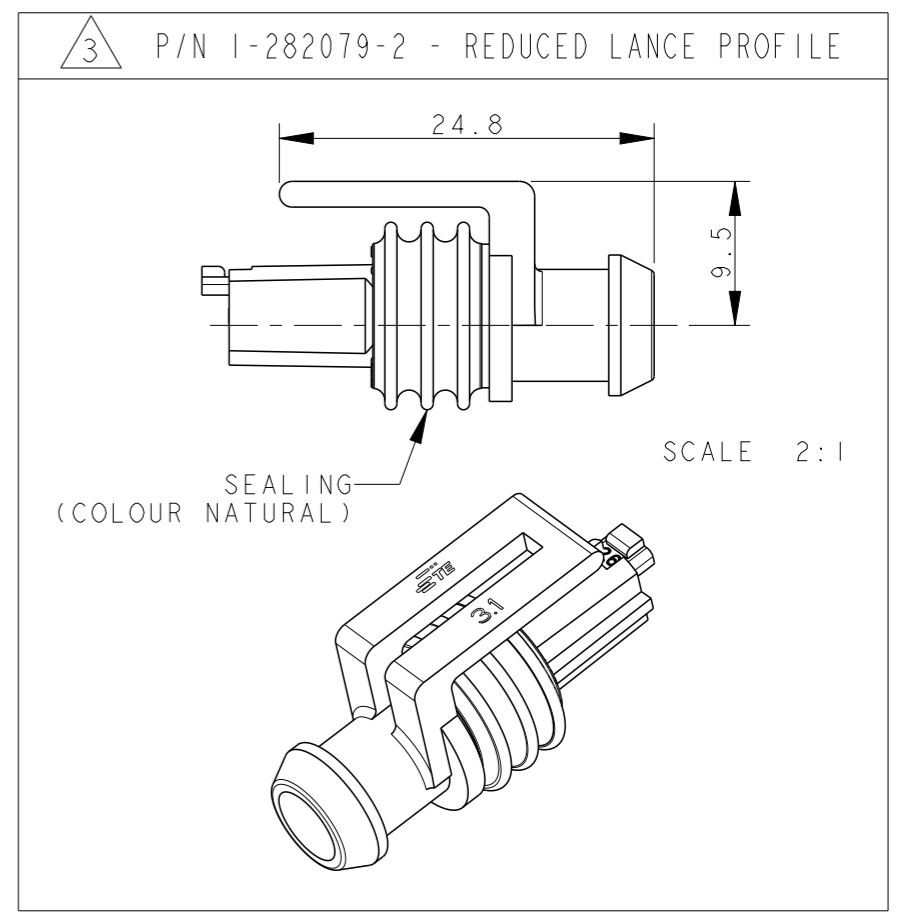
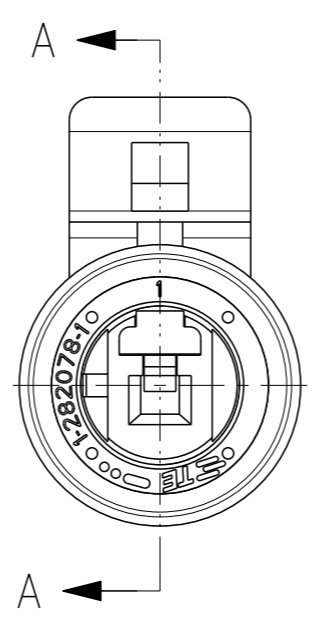
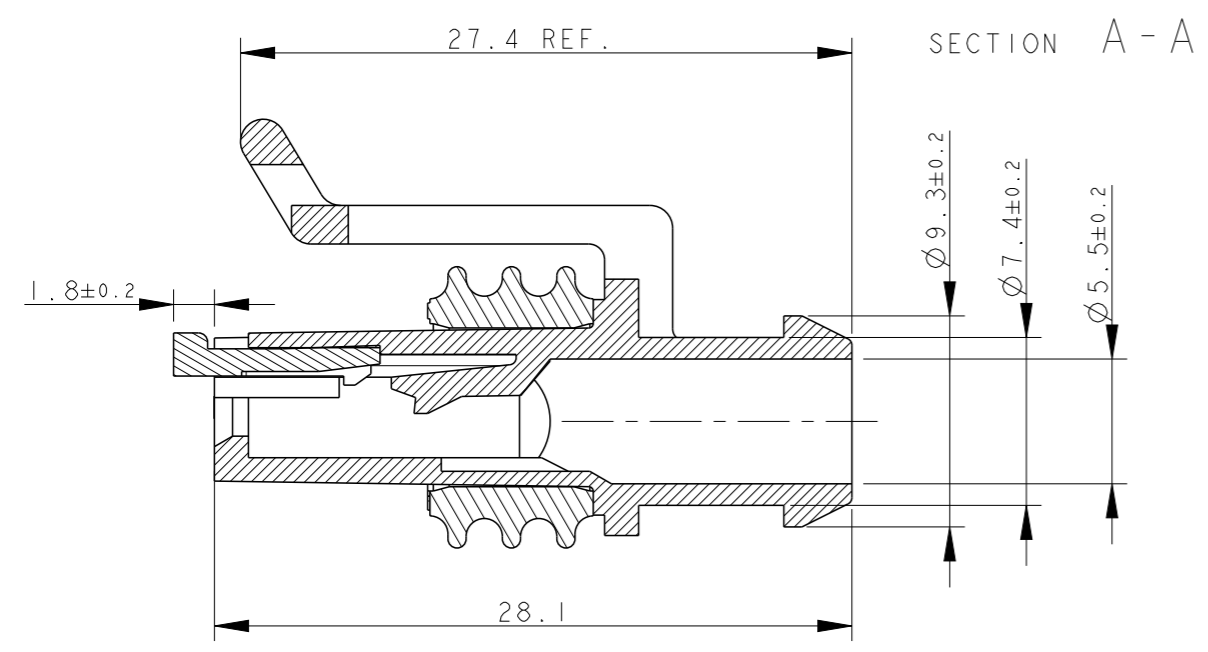


THIS DRAWING IS UNPUBLISHED. RELEASED FOR PUBLICATION 2011
 © COPYRIGHT 2011 ALL RIGHTS RESERVED.

REVISIONS					
P	LTR	DESCRIPTION	DATE	DWN	APVD
	G	ECR-14-009314	24MAR2015	M.P.	M.G.
	G1	REVISED (ECR-15-014031)	25SEP2015	M.G.	M.G.



TE CONNECTIVITY TRADE MARK, (IN ALTERNATIVE: "AMP" LOGO, OR "Tyco Electronics" LOGO)

SEALING (COLOUR YELLOW)

PRE-ASSEMBLED SECONDARY LOCK (COLOUR RED)

⚠ WARNING: LOW RETENTION FORCE OF SEALING ON HOUSING (<9N)
 2) FOR COUNTERPART DETAILS, SEE SHEET 2 OF 2

NOTE	FINISH/COLOR	MATERIAL	PART NUMBER
1	BLACK	HOUSING+SEC.LOCK: PA 66-GF SEALING: LSR (4% OIL CONTENT)	2-282079-2
	3	BLACK	1-282079-2
	GRAY	HOUSING+SEC.LOCK: PA 66-GF SEALING: LSR (NO OIL CONTENT)	282079-3
	BLACK		282079-2

THIS DRAWING IS A CONTROLLED DOCUMENT.

DWN C. BERTINI 05-1992	TE Connectivity
CHK A. BRUNI 05-1992	
APVD -	NAME -
PRODUCT SPEC 108-20090	AMP SUPERSEAL 1.5 SRS. 1 POSITION PLUG ASS'Y
APPLICATION SPEC 412-20000	
WEIGHT 1.55gr	SIZE A3
Customer Drawing	CAGE CODE 00779
	DRAWING NO G-282079
	RESTRICTED TO -
	SCALE 3:1
	SHEET 1 OF 2
	REV G1

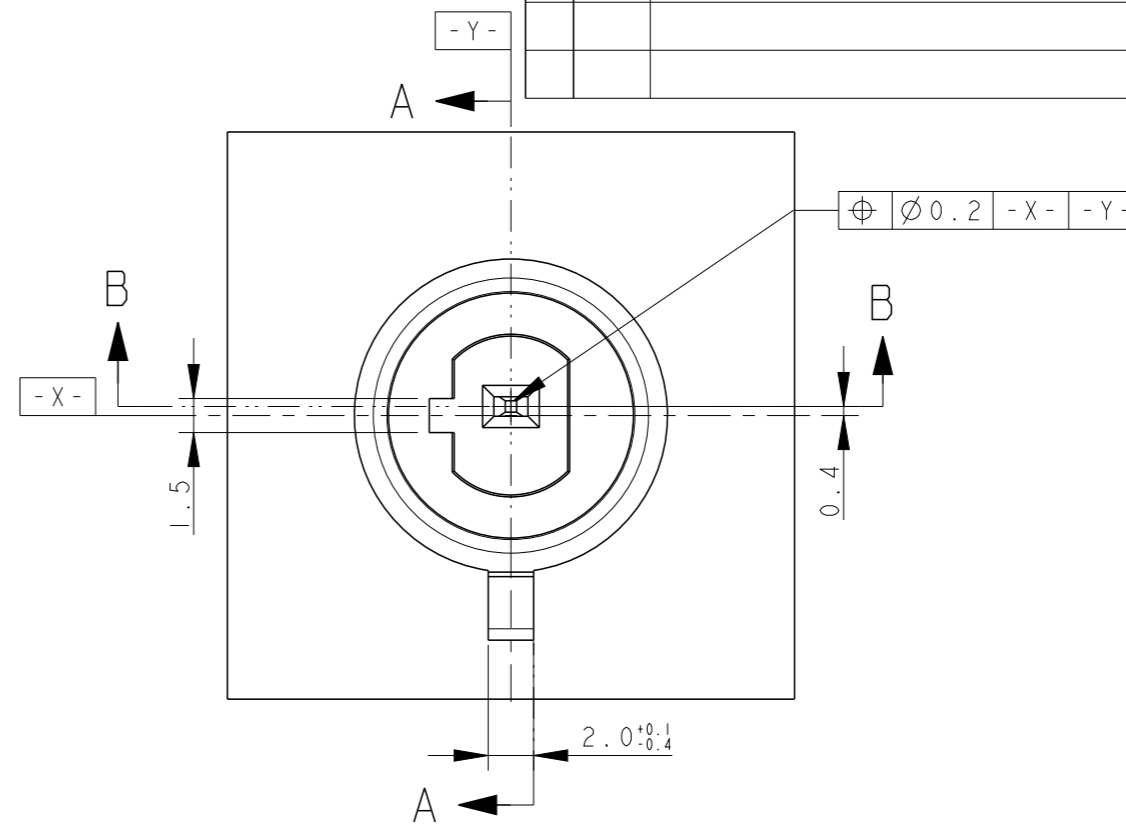
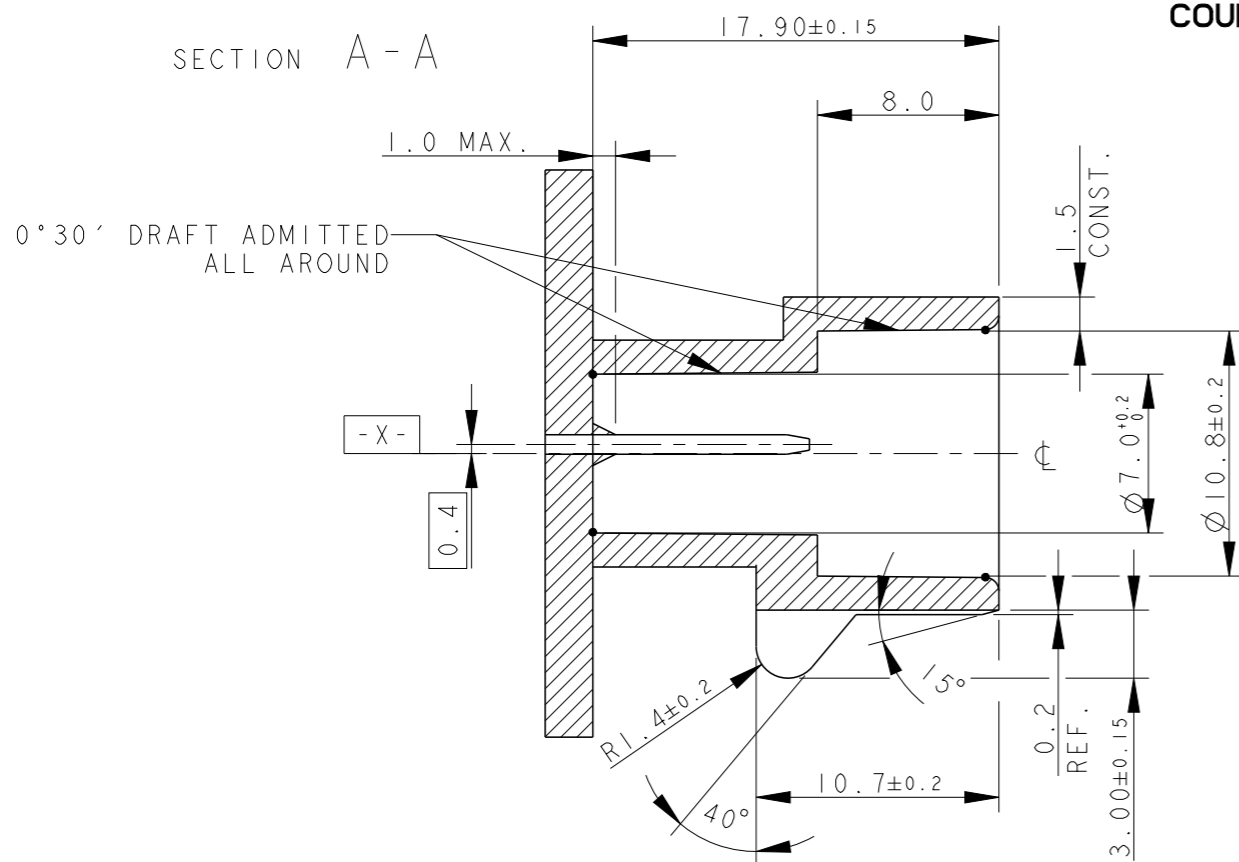
DIMENSIONS: mm	TOLERANCES UNLESS OTHERWISE SPECIFIED:
	0 PLC ± 1 PLC ±0.3 2 PLC ± 3 PLC ± 4 PLC ± ANGLES ±2°
MATERIAL SEE TABLE	FINISH SEE TABLE

REVISIONS

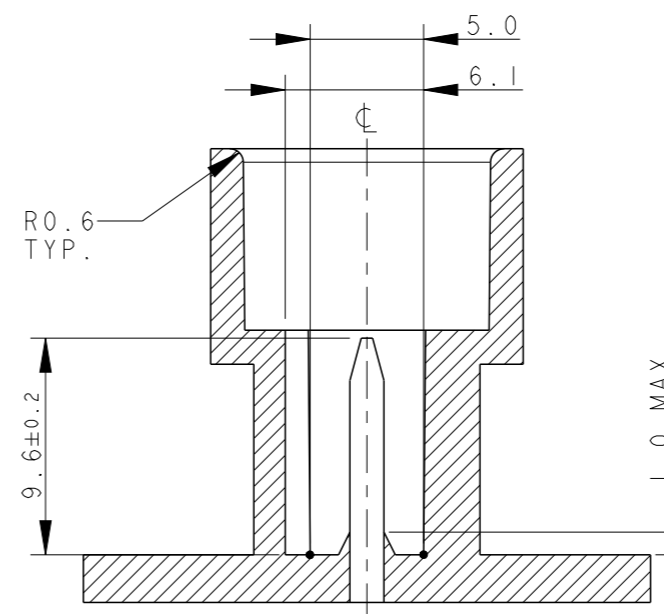
P	LTR	DESCRIPTION	DATE	DWN	APVD
-	-	SEE SHEET 1	-	-	-

COUNTERPART DETAILS

SECTION A - A

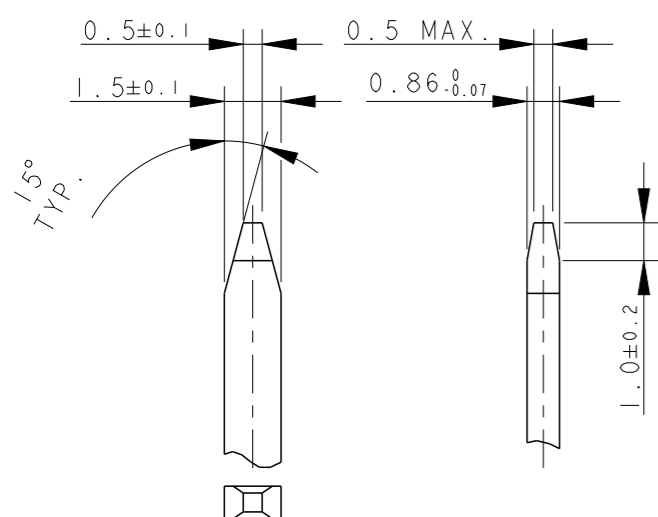


SECTION B - B



MATERIALS: PA66-GF FOR HOUSING
TIN PLATED BRASS FOR TABS

TAB DETAILS



THIS DRAWING IS A CONTROLLED DOCUMENT.

DWN C. BERTINI 05-1992

CHK A. BRUNI 05-1992

APVD -

NAME



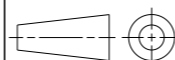
AMP SUPERSEAL 1.5 SRS.
1 POSITION PLUG ASS'Y

DIMENSIONS:

mm

TOLERANCES UNLESS OTHERWISE SPECIFIED:

- 0 PLC ±0.3
- 1 PLC ±0.1
- 2 PLC ±0.05
- 3 PLC ±
- 4 PLC ±
- ANGLES ±2°



MATERIAL



FINISH



PRODUCT SPEC 108-20090

APPLICATION SPEC 412-20000

WEIGHT 1.55gr

SIZE CAGE CODE DRAWING NO RESTRICTED TO

A300779 C-282079

Customer Drawing

SCALE 5:1 SHEET 2 OF 2 REV G1