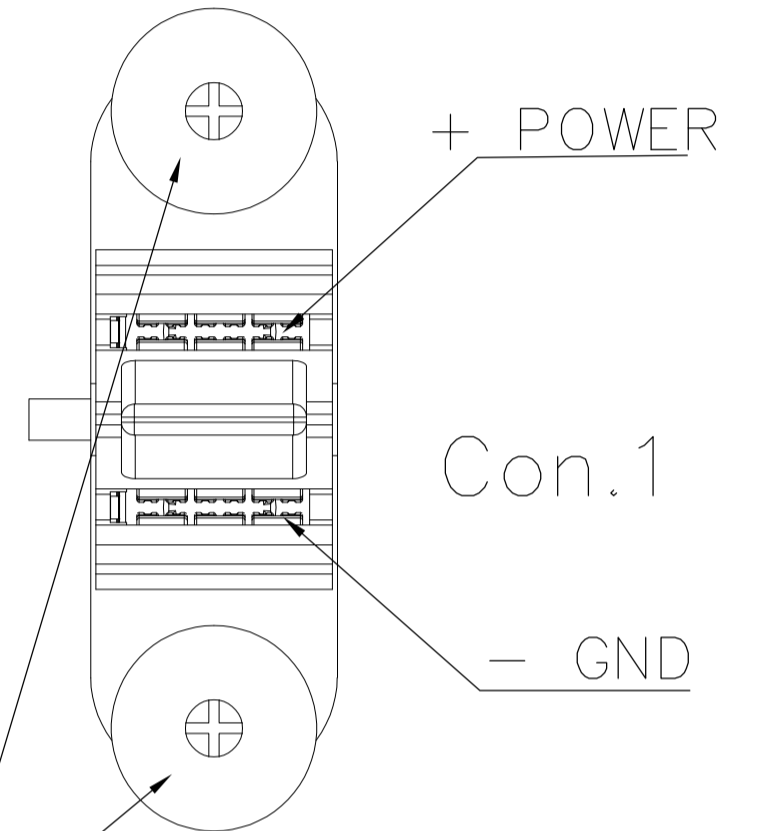
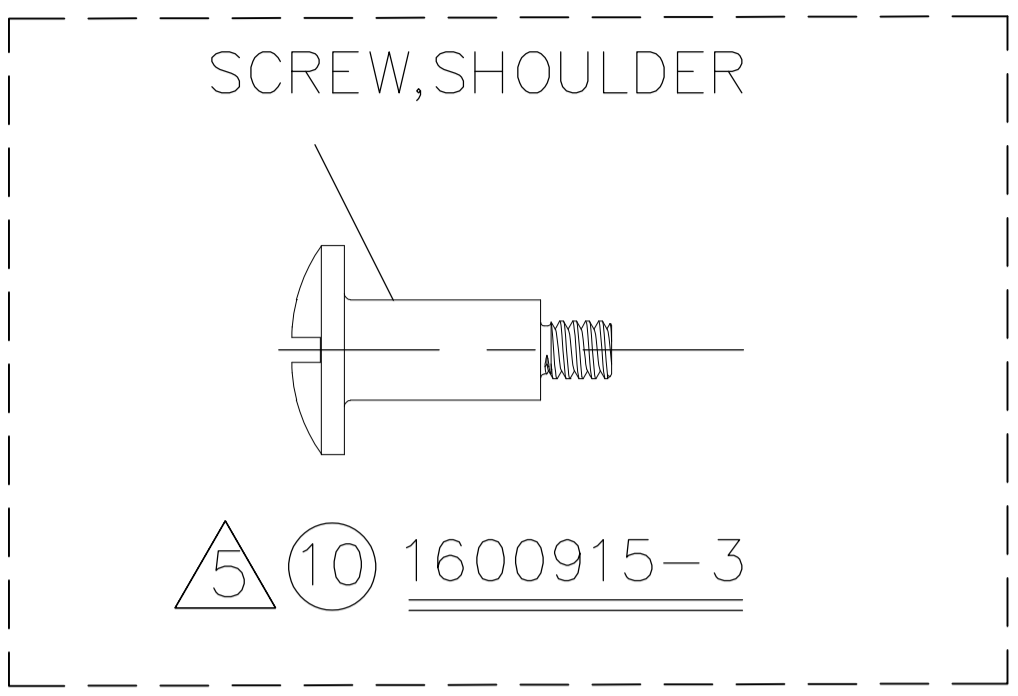
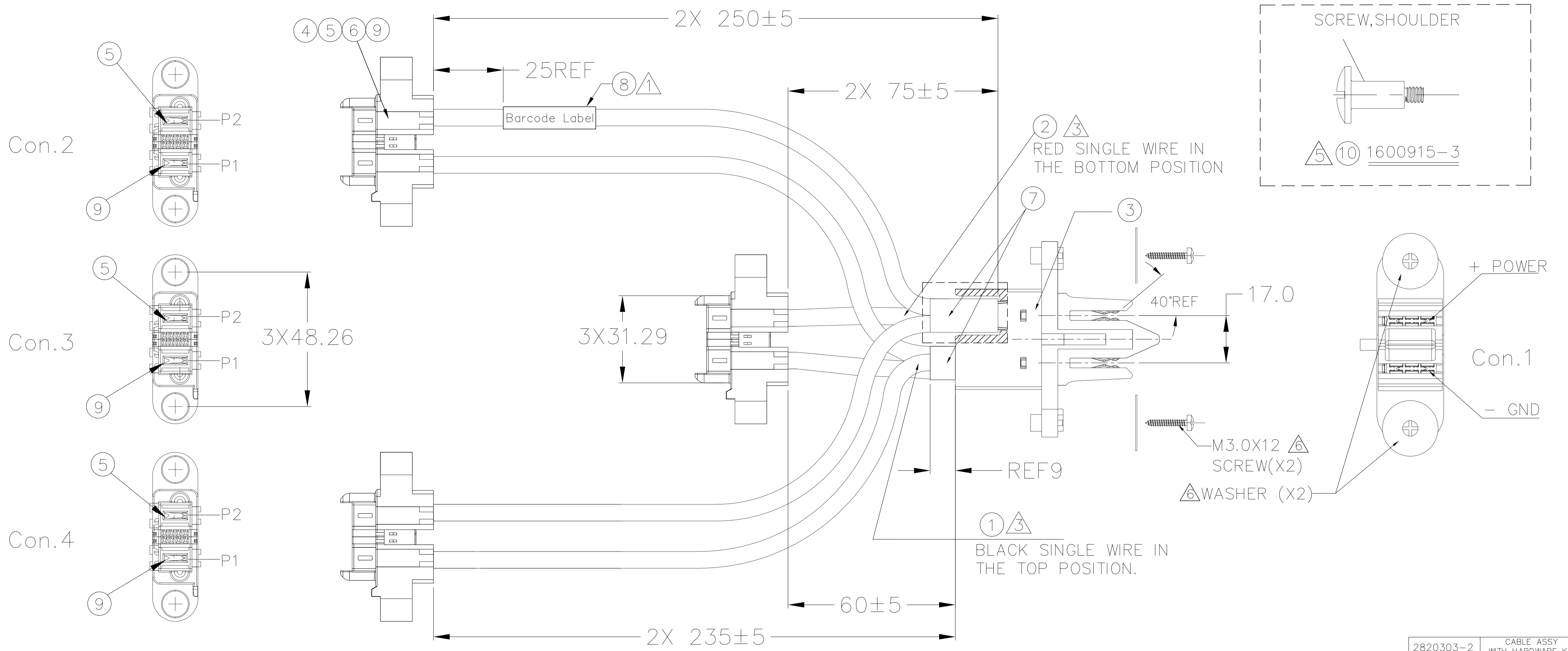
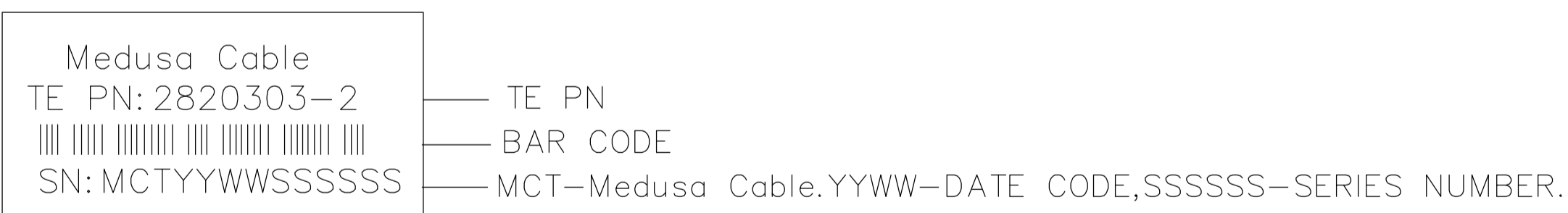


LOC	DIST	REVISIONS			
GP	00	REV	DESCRIPTION	DATE	APPV
		A	Release	28JUL2014	GL WW
		C	ECO-14-017071, Change to Barcode label.	11NOV2014	GL WW
		D	ECO-15-000967, Short Screw, Change Screw shoulder material.	16DEC2014	GL DZ
		E	Add package material: Anti-Static Ziplock Bag with label.	06FEB2015	GL DZ

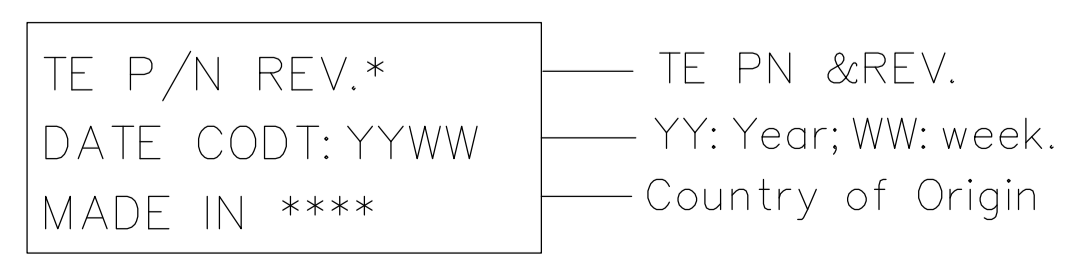


2820303-2	CABLE ASSY WITH HARDWARE KIT
2820303-1	CABLE ASSY ONLY
TE P/N	NOTE

NOTES:  
 1. THE MARKING TEXT AS FOLLOWS:



- 2. 100% ELECTRICALLY TESTED: OPEN/SHORT, HI-POT. HI-POT: 500VDC, 50 MEGAOHMS FOR 100 MILLISECONDS.
- 3. SINGLE WIRE WILL BE ALTERNATING PATTERN WHEN CRIMPING CCJ TERMINAL.
- 4. ROHS COMPLIANCE: PRODUCT AND PROCESSING MEETS REQUIREMENTS OF TE SPECIFICATION TEC-138-702.
- 5. HARDWARE KIT FOR MBXLE ONLY SCREW IS SUPPLIED BY TE. THE SCREWS WILL BE PACKAGED SEPARATELY. NUT WILL BE SUPPLIED BY CUSTOMER.
- 6. SCREWS AND WASHERS FOR CCJ HOUSING WILL BE PACKAGED SEPARATELY.
- 7. INDIVIDUALLY PACK EACH CABLE ASSEMBLY WITH A CLEAR ANTI-STATIC ZIPLOCK BAG.
- 8. APPLY LABEL ONTO CLEAR ANTI-STATIC ZIPLOCK BAG, THE MARKING TEXT AS FOLLOWS:



WIRING CHART

FROM	TO	COLOR	SIZE
Con.2-P1	Con.1 - GND	BLACK	8 AWG
Con.3-P1			
Con.4-P1			
Con.2-P2	Con.1 + POWER	RED	8 AWG
Con.3-P2			
Con.4-P2			

REV	QTY	PC	DESCRIPTION	ITEM NO
1	1	PC	LABEL ON THE ANTI-STATIC ZIPLOCK BAG.	12
1	1	PC	CLEAR ANTI-STATIC ZIPLOCK BAG.	11
6	1	PC	HARDWARE KIT FOR X,Y FLOATING SCREW, SHOULDER.	10
3	3	PC	MBXLE RECEPT POWER CONTACT MFBL.	9
1	1	PC	LABEL	8
AR	AR	M	HEAT SHRINK TUBE	7
6	6	PC	MBXLE RECEPT POWER LOCK.	6
3	3	PC	MBXLE RECEPT POWER CONTACT STD.	5
3	3	PC	MBXLE RECEPT PMT CABLE HOUSING 1P/8S/1P	4
1	1	PC	CCJ CONNECTOR.	3
AR	AR	FT	WIRE, 8AWG,HIGH STRAND/HIGH FLEX,RED. VENDOR:Hwatek.Alternative:New England.	2
AR	AR	FT	WIRE, 8AWG,HIGH STRAND/HIGH FLEX,BLACK. VENDOR:Hwatek.Alternative:New England.	1
-2	-1	U/M		

THIS DRAWING IS A CONTROLLED DOCUMENT.

DIMENSIONS: mm	TOLERANCES UNLESS OTHERWISE SPECIFIED:	DWN: Grace Li 04DEC2013	CHK: Glen Gutgold 04DEC2013	APPR: David Zhang 04DEC2013	NAME: CABLE ASSY,CUBBY POWER
0 PLC ± 0.40	1 PLC ± 0.25	2 PLC ± 0.25	3 PLC ± 0.25	4 PLC ± 0.25	RESTRICTED TO
MATERIAL: -	FINISH: -	SIZE: A1	CAGE CODE: 00779	DRAWING NO: 2820303	SCALE: 1:1
CUSTOMER DRAWING			WEIGHT: 288 Grams	SHEET: 1 OF 1	REV: E