

High Frequency Ceramic Solutions

2.4 GHz Impedance-Matched Integrated RF Front End Passive Balun Filter for ADF7241 and ADF7242

P/N 2450BM14E0007

Detail Specification: 8/31/2012

Page 1 of 3

General Specifications

Part Number	2450BM14E0007
Frequency (MHz)	2400 - 2500
Unbalanced Impedance (Antenna Out)	50 Ω
Balanced Differential Impedance	Conjugate match to ADI ADF7241 and ADF7242
Attenuation (dB)	25min. @4800~5000MHz 25min. @7200~7500MHz
Power Capacity	2W max.

Insertion Loss	1.5 dB max.
Return Loss	9.5 dB min.
Phase Difference	180° ± 10°
Amplitude Difference	2.0 dB max.
Reel Quantity	4,000
Operating Temperature	-40 to +85°C
Recommended Storage Conditions	+5 to +35°C, Humidity: 45-75%RH, 18 mos. Max *

*18 months in vacuum sealed bag and 1 week cumulative after opened. For more info go to www.johansontechnology.com/silverleads

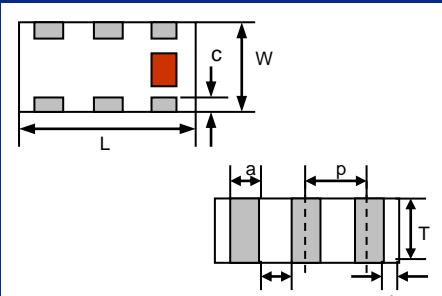
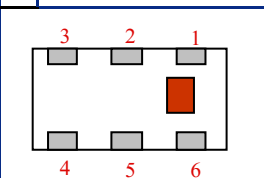
P/N	Packaging Style	Bulk	Suffix = S	Eg. 2450BM14E0007S
		T & R (Paper)	Suffix = E	Eg. 2450BM14E0007T
Suffix	Termination Style	AgPt	Suffix = None	Eg. 2450BM14E0007(S or T)

Terminal Configuration

No.	Function
1	Unbalanced Port
2	GND
3	Balanced Port
4	Balanced Port
5	GND
6	GND

Mechanical Dimensions

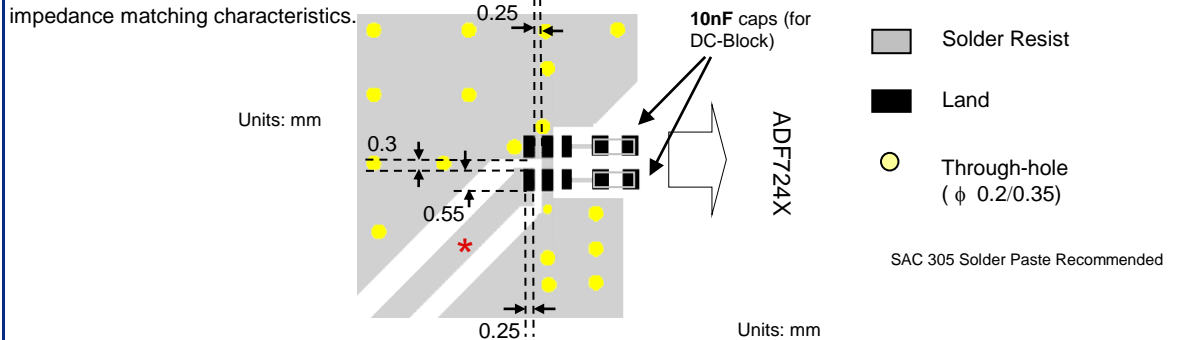
	In	mm
L	0.063 ± 0.004	1.60 ± 0.10
W	0.031 ± 0.004	0.80 ± 0.10
T	0.024 ± 0.004	0.60 ± 0.10
a	0.008 ± 0.004	0.20 ± 0.10
b	0.008 +.004/-0.006	0.20 +0.1/-0.15
c	0.006 ± 0.004	0.15 ± 0.10
g	0.012 ± 0.004	0.30 ± 0.10
p	0.020 ± 0.002	0.50 ± 0.05

Mounting Considerations

Mount these devices with brown mark facing up.

* Line width should be designed to provide 50 Ω impedance matching characteristics.



Johanson Technology, Inc. reserves the right to make design changes without notice.

All sales are subject to Johanson Technology, Inc. terms and conditions.



www.johansontechnology.com

4001 Calle Tecate • Camarillo, CA 93012 • TEL 805.389.1166 FAX 805.389.1821

2012 Johanson Technology, Inc. All Rights Reserved

High Frequency Ceramic Solutions

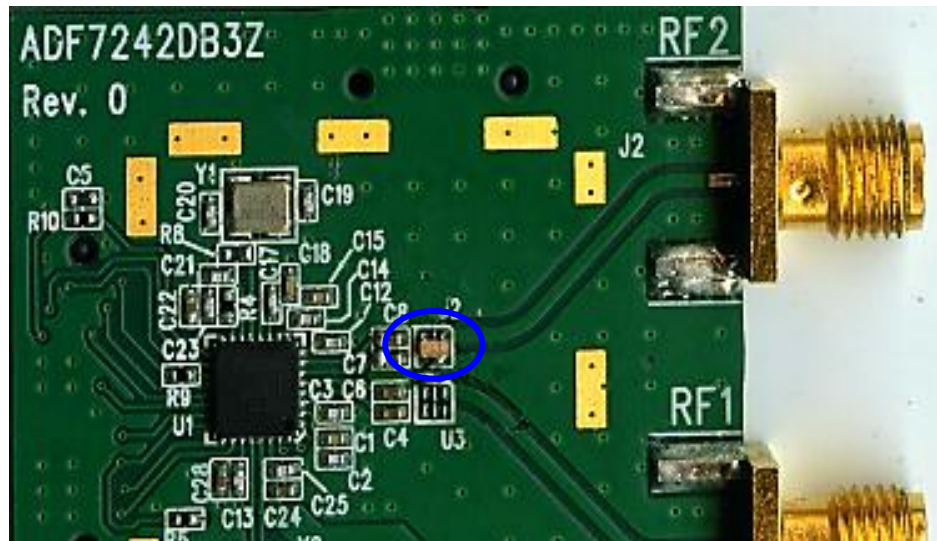
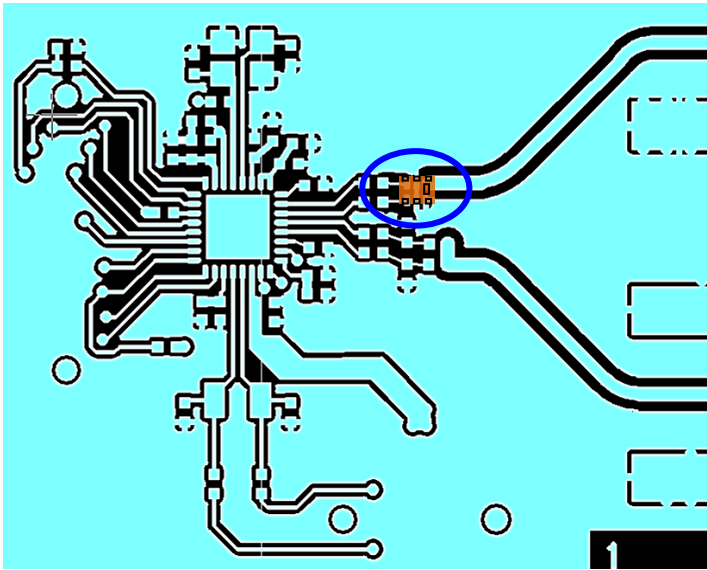
2.4 GHz Impedance-Matched Integrated RF Front End Passive Balun Filter
for ADF7241 and ADF7242

P/N 2450BM14E0007

Detail Specification: 8/31/2012

Page 2 of 3

Layout Details



Johanson Technology, Inc. reserves the right to make design changes without notice.
All sales are subject to Johanson Technology, Inc. terms and conditions.



www.johansontechnology.com

4001 Calle Tecate • Camarillo, CA 93012 • TEL 805.389.1166 FAX 805.389.1821

2012 Johanson Technology, Inc. All Rights Reserved

High Frequency Ceramic Solutions

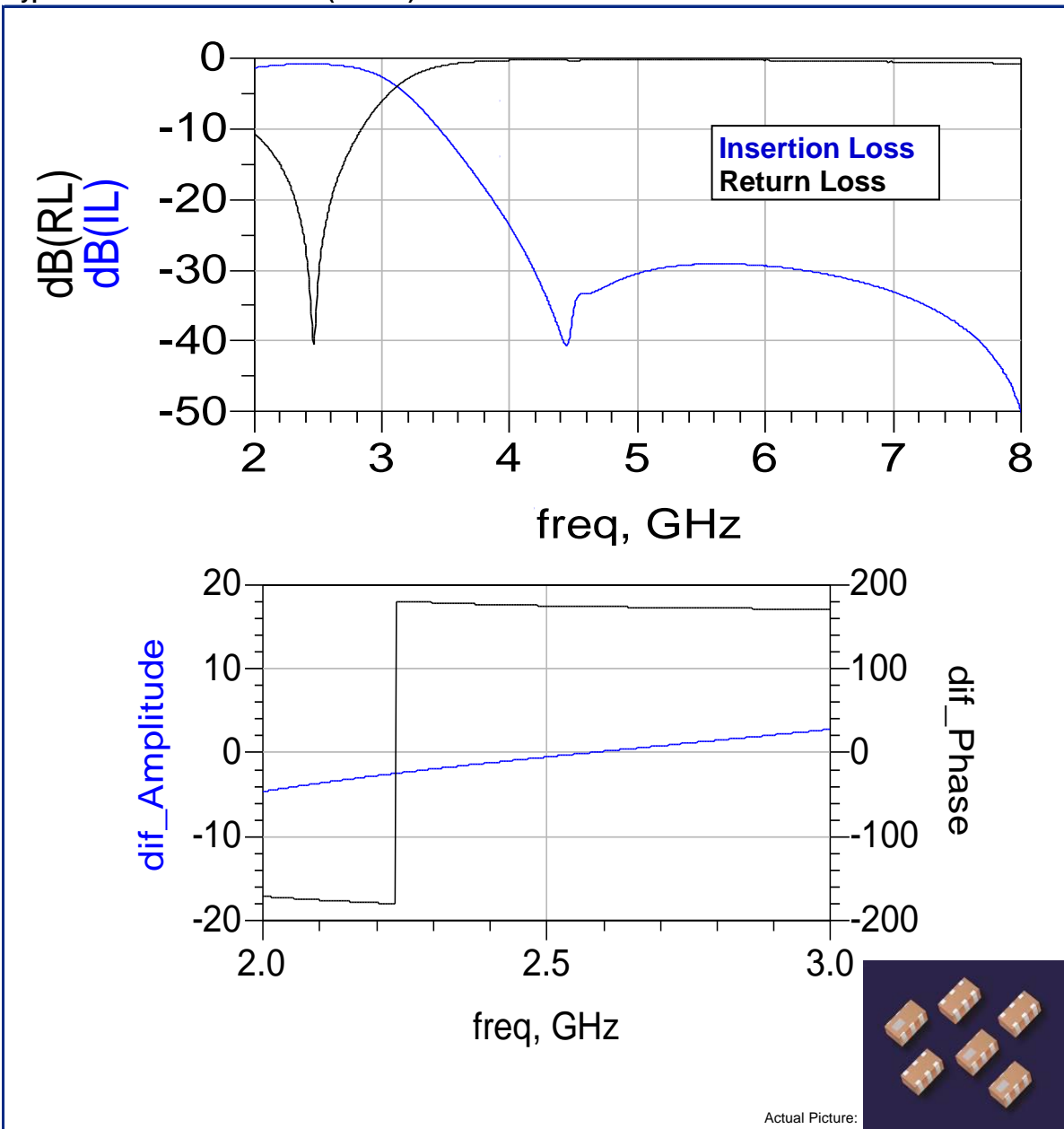
2.4 GHz Impedance-Matched Integrated RF Front End Passive Balun Filter
for ADF7241 and ADF7242

P/N 2450BM14E0007

Detail Specification: 8/31/2012

Page 3 of 3

Typical Electrical Performance (T=25°C)



Johanson Technology, Inc. reserves the right to make design changes without notice.
All sales are subject to Johanson Technology, Inc. terms and conditions.



www.johansontechnology.com
4001 Calle Tecate • Camarillo, CA 93012 • TEL 805.389.1166 FAX 805.389.1821

2012 Johanson Technology, Inc. All Rights Reserved