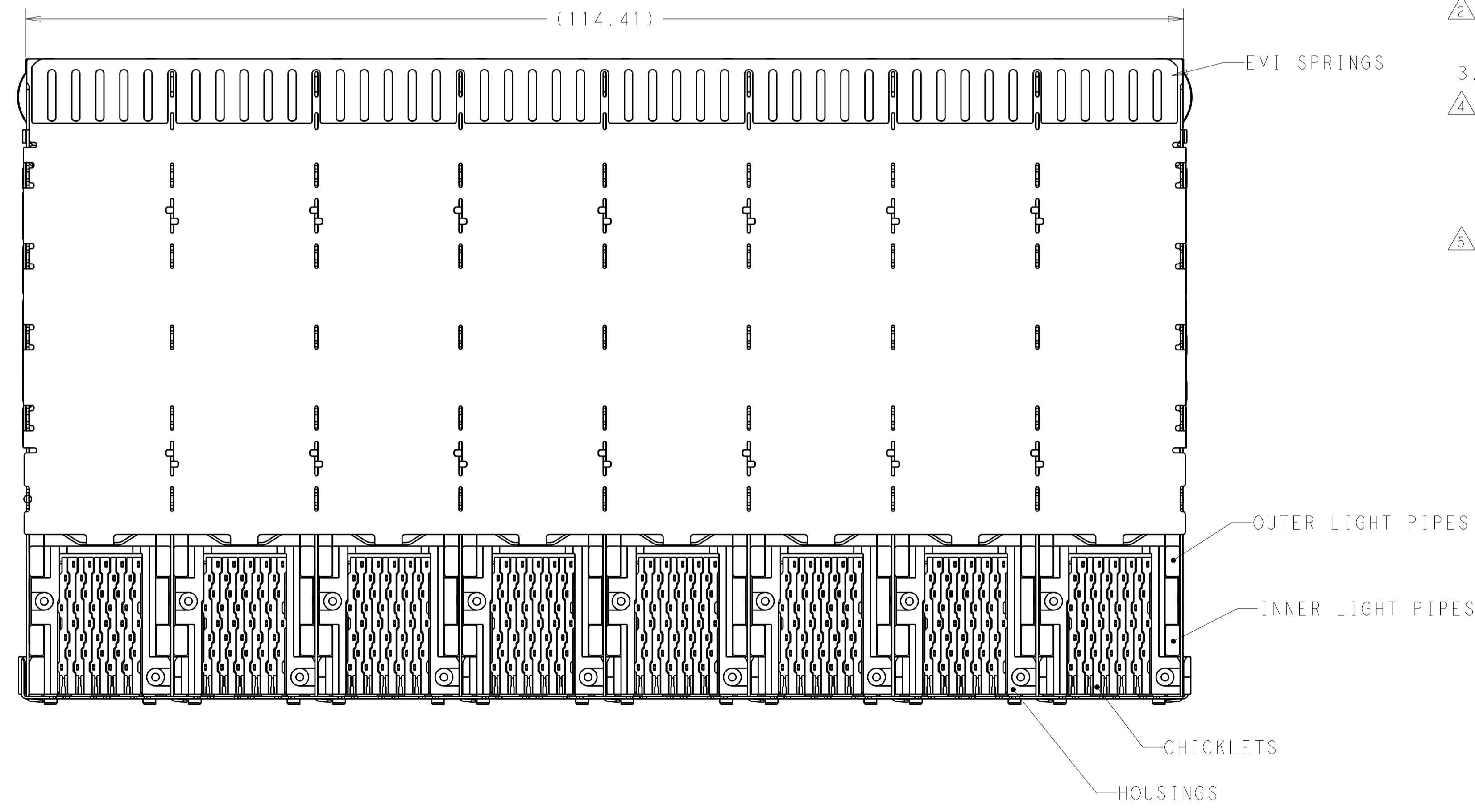
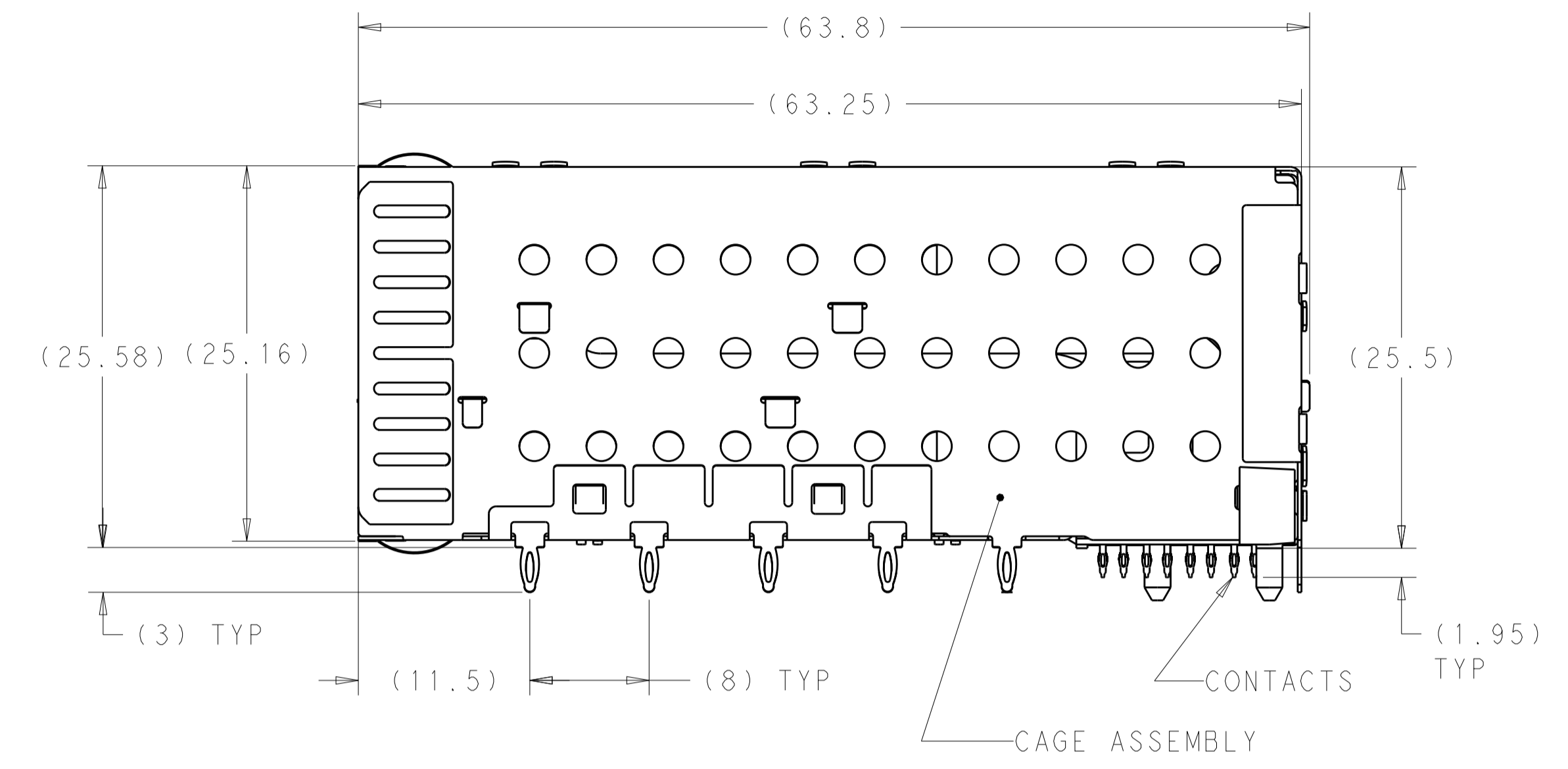
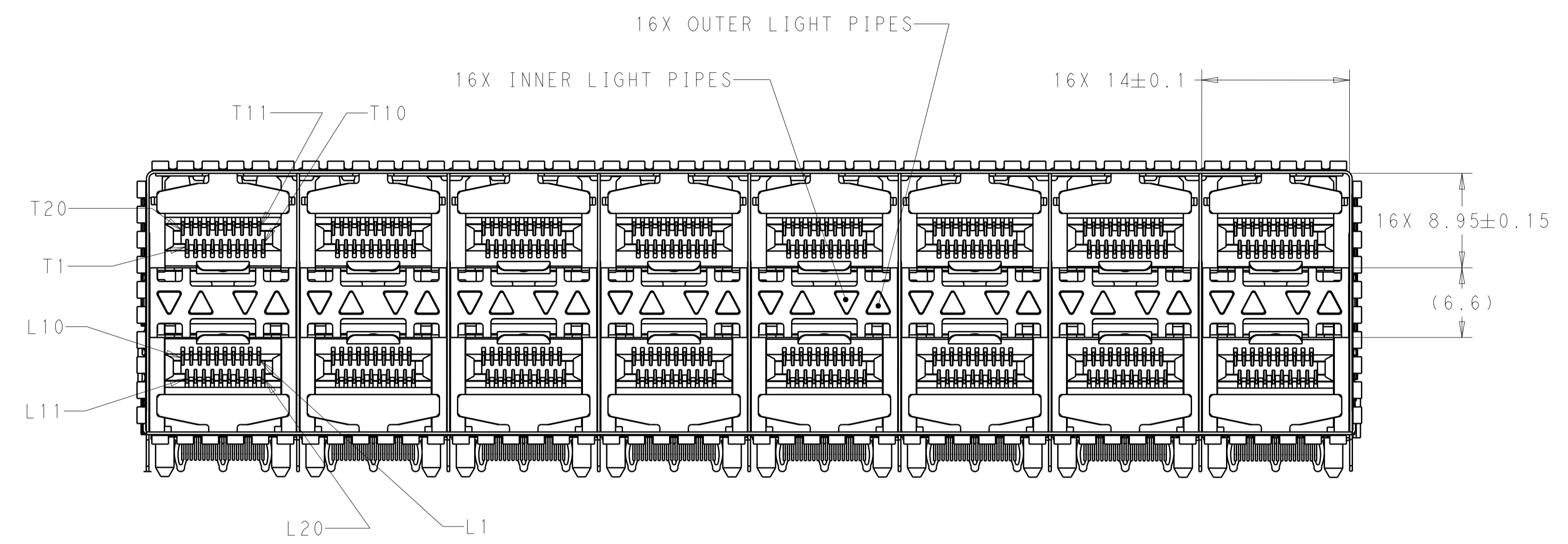


LOC	DIST	REVISIONS			
GP	00	REV	DATE	BY	APP
		B	04APR2016	AP	RP



- ⚠ MATERIALS:
 CAGE ASSEMBLY- NICKEL SILVER ALLOY PER ASTM B 122.
 EMI SPRINGS- COPPER ALLOY.
 HOUSING- BLACK LCP, UL 94V-0 RATED.
 CHICKLET- BLACK LCP, UL 94V-0 RATED.
 LIGHT PIPE- POLYCARBONATE, CLEAR.
 CONTACT- COPPER ALLOY.
- ⚠ DATUM AND BASIC DIMENSIONS ESTABLISHED BY CUSTOMER.
- 3. MINIMUM PCB THICKNESS OF 1.5.
- ⚠ CONTACT FINISH- CONFORMS TO THE REQUIREMENTS OF TYCO ELECTRONICS PRODUCT SPECIFICATION 108-2331, BASED ON EIA/ECA-364-1000.01A, (CONTROLLED ENVIRONMENT APPLICATIONS) ON MATING INTERFACE, TIN-LEAD ON NEEDLE EYE.
- ⚠ CONTACT FINISH- CONFORMS TO THE REQUIREMENTS OF TYCO ELECTRONICS PRODUCT SPECIFICATION 108-2331, BASED ON EIA/ECA-364-1000.01A, (CONTROLLED ENVIRONMENT APPLICATIONS) ON MATING INTERFACE, TIN ON NEEDLE EYE.
- ⚠ FOR HOLE SIZE AND PLATINGS, SEE APPLICATION SPEC 114-13219.
- ⚠ THE ENTIRE AREA OF THE CONNECTOR FOOTPRINT, INDICATED BY THE DASHE LINE, TO BE CONSIDERED THE KEEPCUT AREA FOR COMPONENTS AND SIGNAL TRACES, TOP SIDE ONLY. TOP SIDE TRACES ALLOWED WITHIN CONNECTOR HOLE PATTERN.
- ⚠ LIGHT PIPE PAD LAYOUT IS FOR 0805 LOW PROFILE LED PACKAGE WITH A HEIGHT OF 0.8mm.
- ⚠ EMI SPRING FINISH: 0.8µm MINIMUM MATTE TIN OVER 0.8µm MINIMUM NICKEL, NONPLATED EDGES PERMISSIBLE.
- ⚠ ADDITIONAL COMPONENT LOCATED WITHIN LATCH PLATE FOR EMI SUPPRESSION.

YES	NO	ENHANCED EMI	FINISH	DESCRIPTION	PART NUMBER
YES				NO LIGHT PIPES	1-2149490-8
				OUTER 2 LIGHT PIPES	1-2149490-7
				INNER 2 LIGHT PIPES	1-2149490-6
				4 LIGHT PIPES	1-2149490-5
				NO LIGHT PIPES	2149490-8
				OUTER 2 LIGHT PIPES	2149490-7
				INNER 2 LIGHT PIPES	2149490-6
				4 LIGHT PIPES	2149490-5
				NO LIGHT PIPES	2149490-4
				OUTER 2 LIGHT PIPES	2149490-3
				INNER 2 LIGHT PIPES	2149490-2
				4 LIGHT PIPES	2149490-1

THIS DRAWING IS A CONTROLLED DOCUMENT. DIMENSIONING AND TOLERANCING PER ASME Y14.5M-2009.

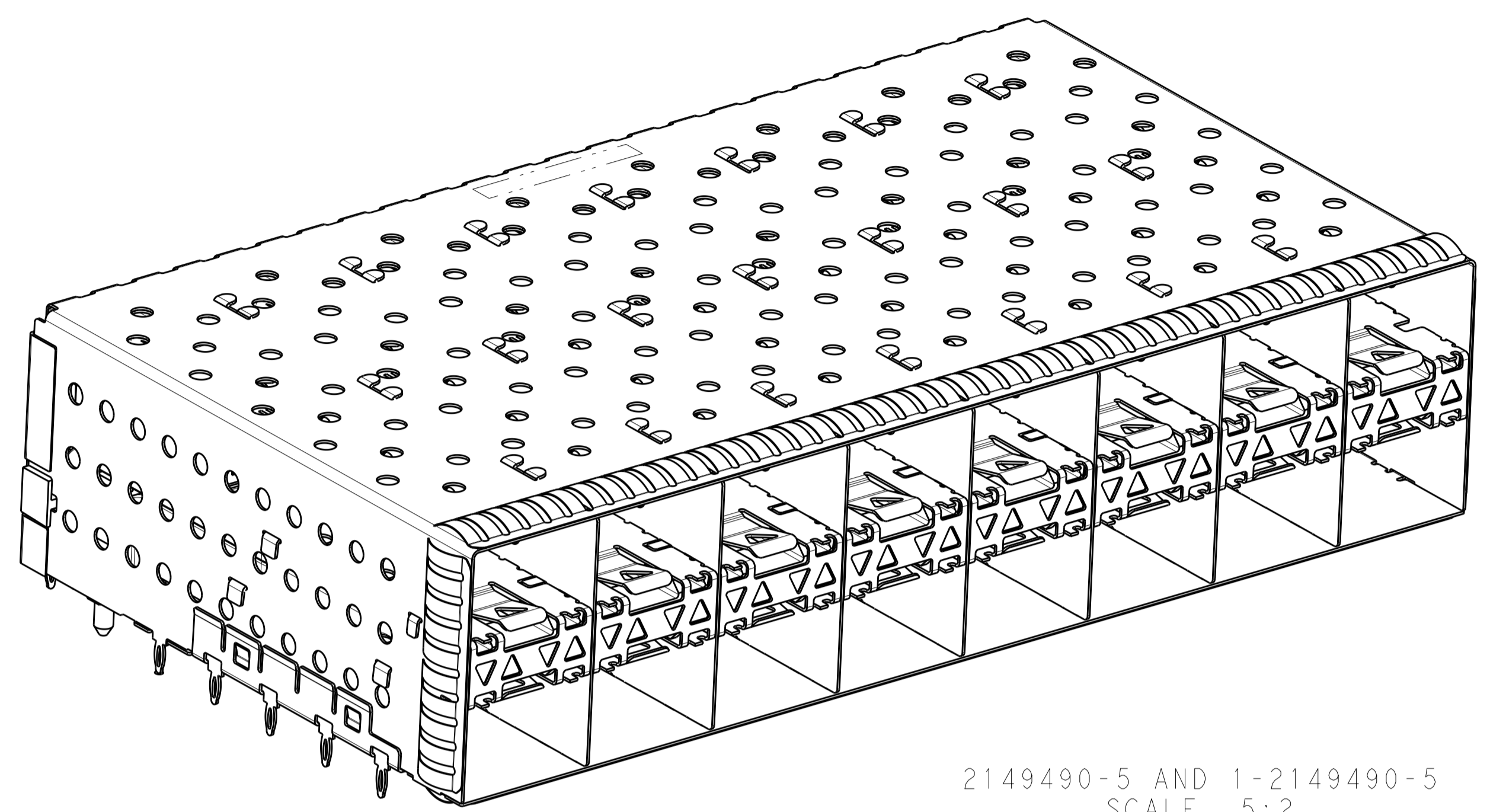
STE TE Connectivity

CAGE AND PT CONNECTOR ASSEMBLY, WITH EMI SPRINGS, PRESS FIT, 2X8, STACKED SFP+

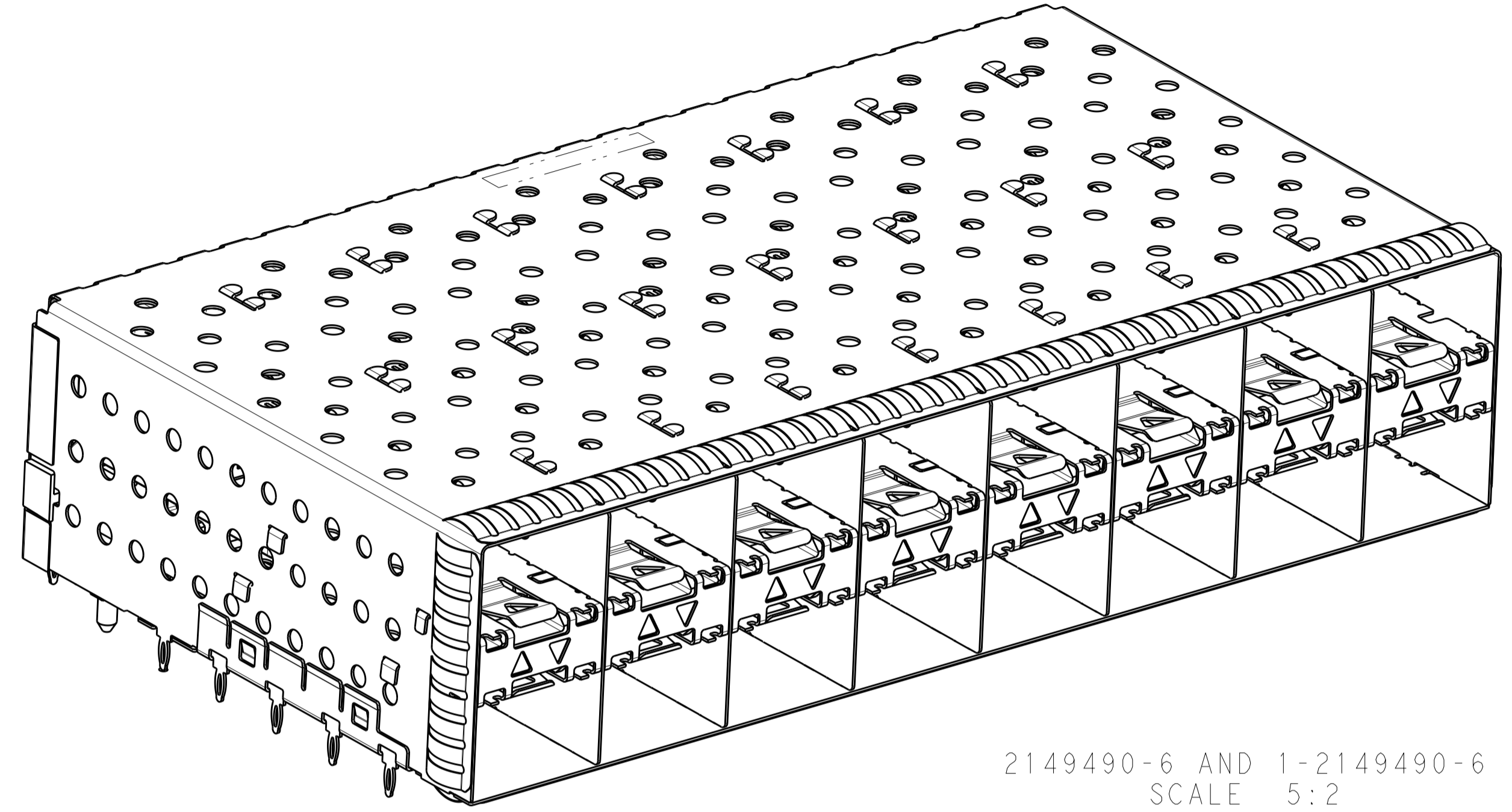
100779 ©=2149490

SCALE 3:1 SHEET 1 OF 4 REV B

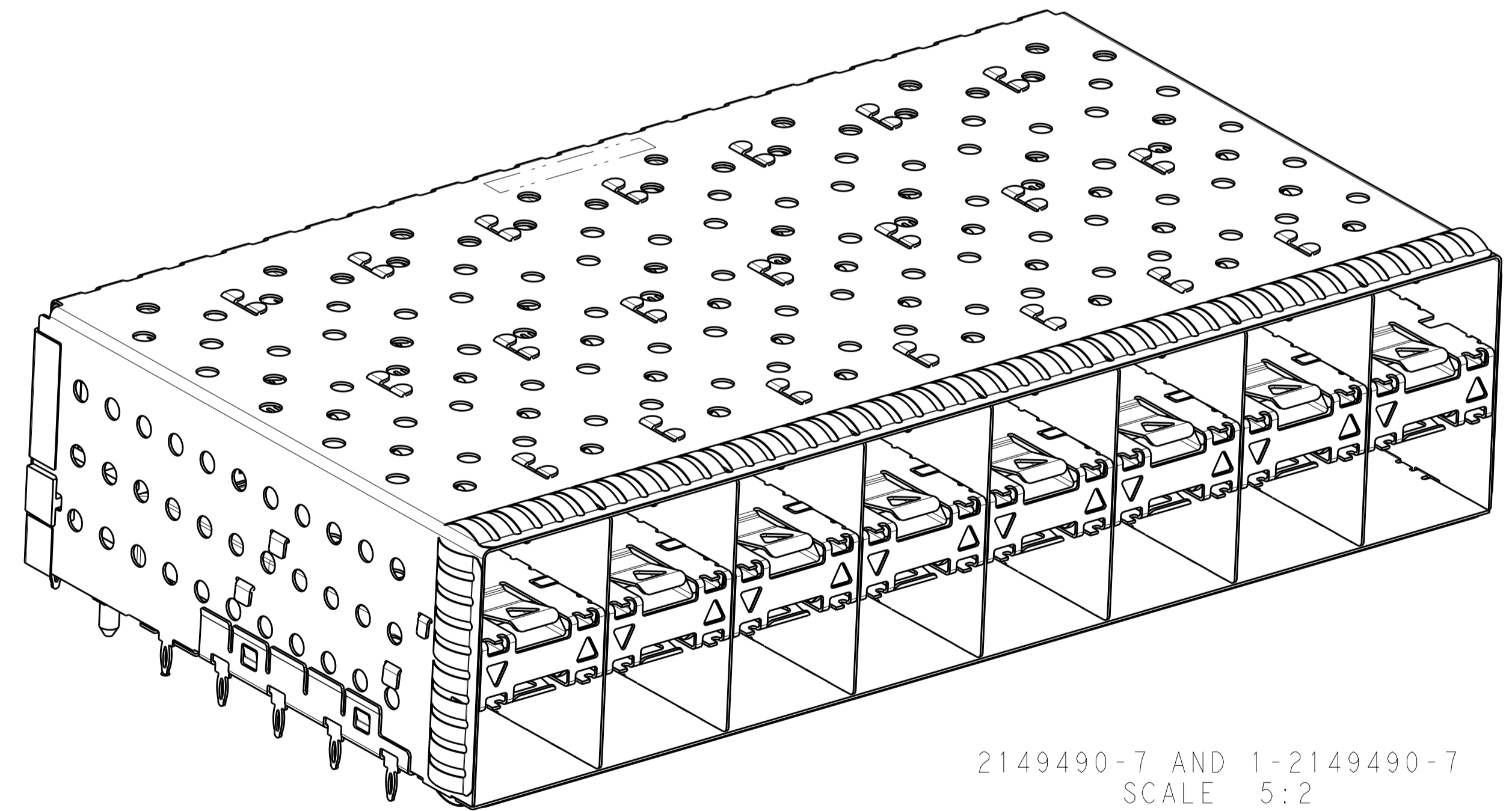
LOC		DIST		REVISIONS			
P	LTN	DESCRIPTION	DATE	DMN	APVD		
-	-	SEE SHEET 1	-	-	-		



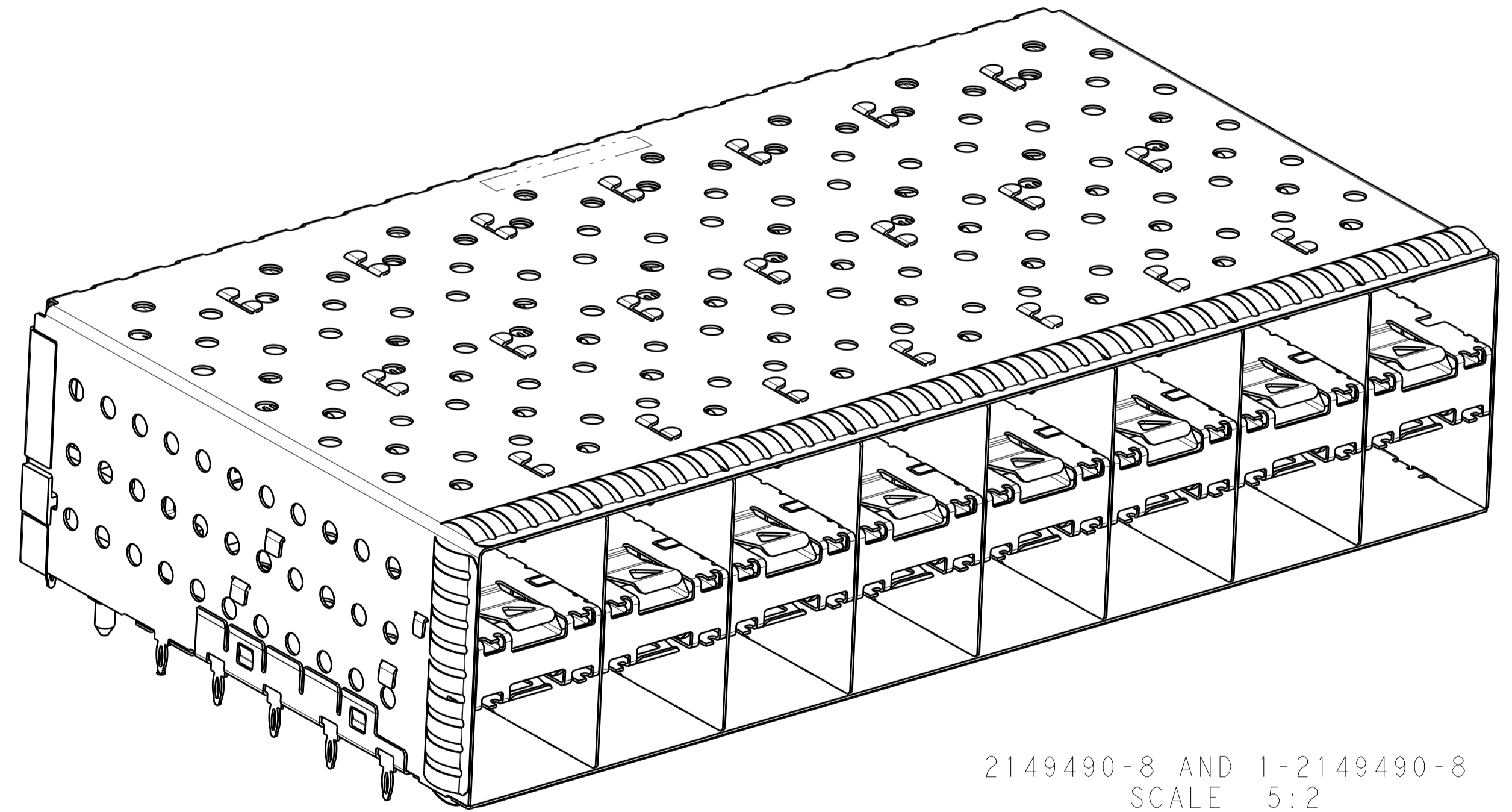
2149490-5 AND 1-2149490-5
SCALE 5:2




2149490-6 AND 1-2149490-6
SCALE 5:2



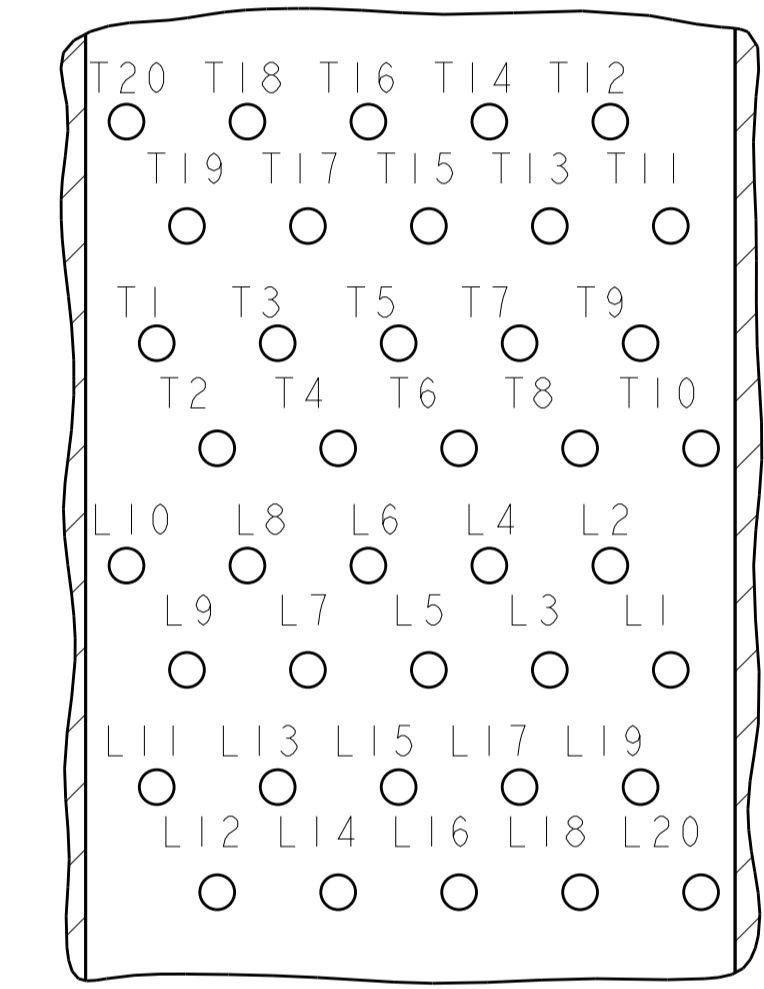
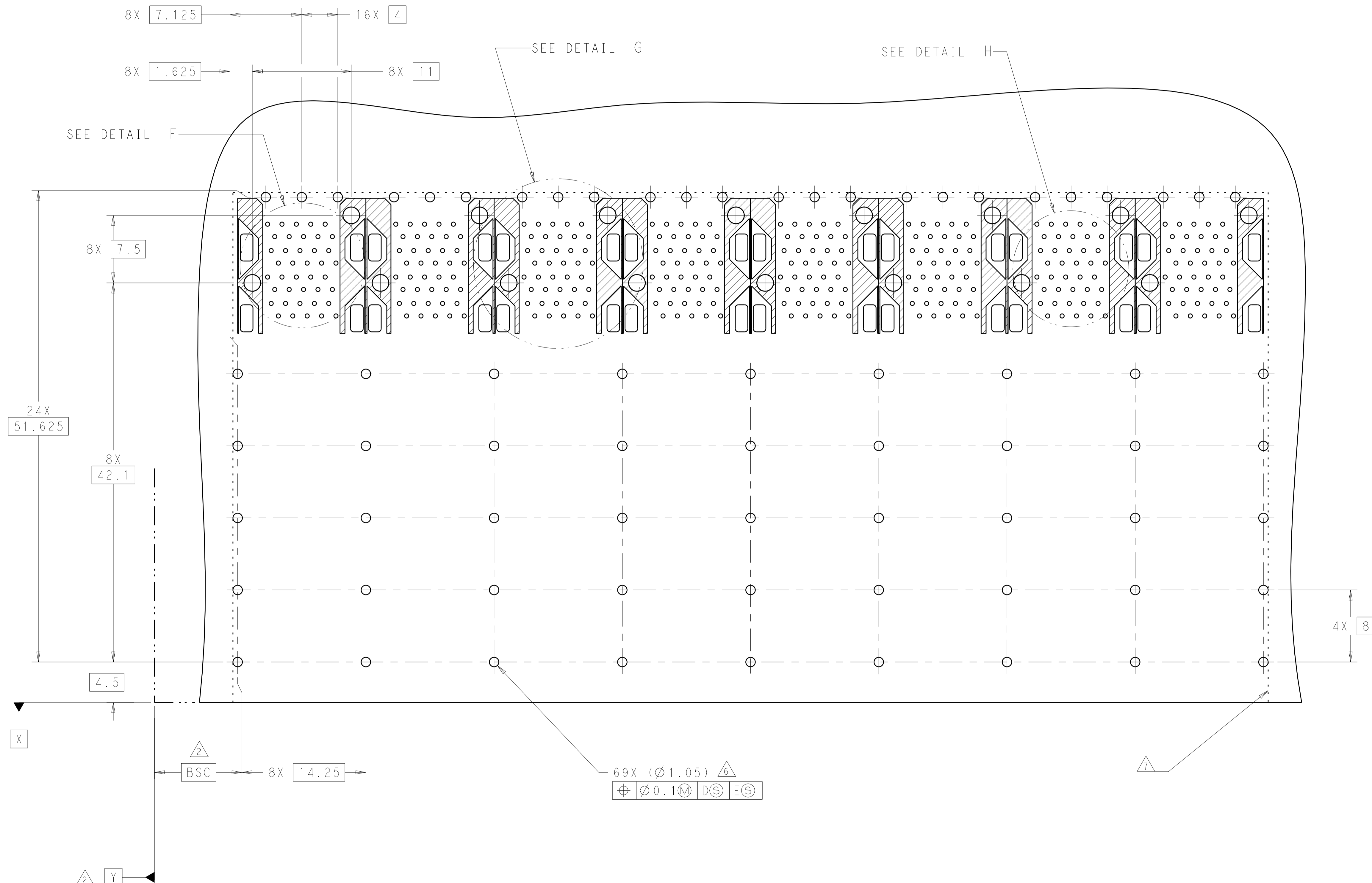
2149490-7 AND 1-2149490-7
SCALE 5:2



2149490-8 AND 1-2149490-8
SCALE 5:2

THIS DRAWING IS A CONTROLLED DOCUMENT. DIMENSIONING AND TOLERANCING PER ASME Y14.5M-2009.		DMN C. VALENTINE 08OCT2010	 TE Connectivity
DIMENSIONS: mm		CHK J. PETERSON 08OCT2010	
TOLERANCES UNLESS OTHERWISE SPECIFIED:		APVD J. PETERSON 08OCT2010	NAME CAGE AND PT CONNECTOR ASSEMBLY, WITH EMI SPRINGS, PRESS FIT, 2X8, STACKED SFP+
0 PLC ±.10		PRODUCT SPEC 108-2331	
1 PLC ±0.10		APPLICATION SPEC 114-13219	SIZE CAGE CODE DRAWING NO. RESTRICTED TO A100779C=2149490
2 PLC ±0.10		WEIGHT	
3 PLC ±0.10		CUSTOMER DRAWING	SCALE 3:1 SHEET 2 OF 4 REV B
4 PLC ±0.10			
ANGLES ±.10			
FINISH			

LOC	DIST	REVISIONS			
P.	LTH	DESCRIPTION	DATE	DMN	APVD
-	-	SEE SHEET 1	-	-	-

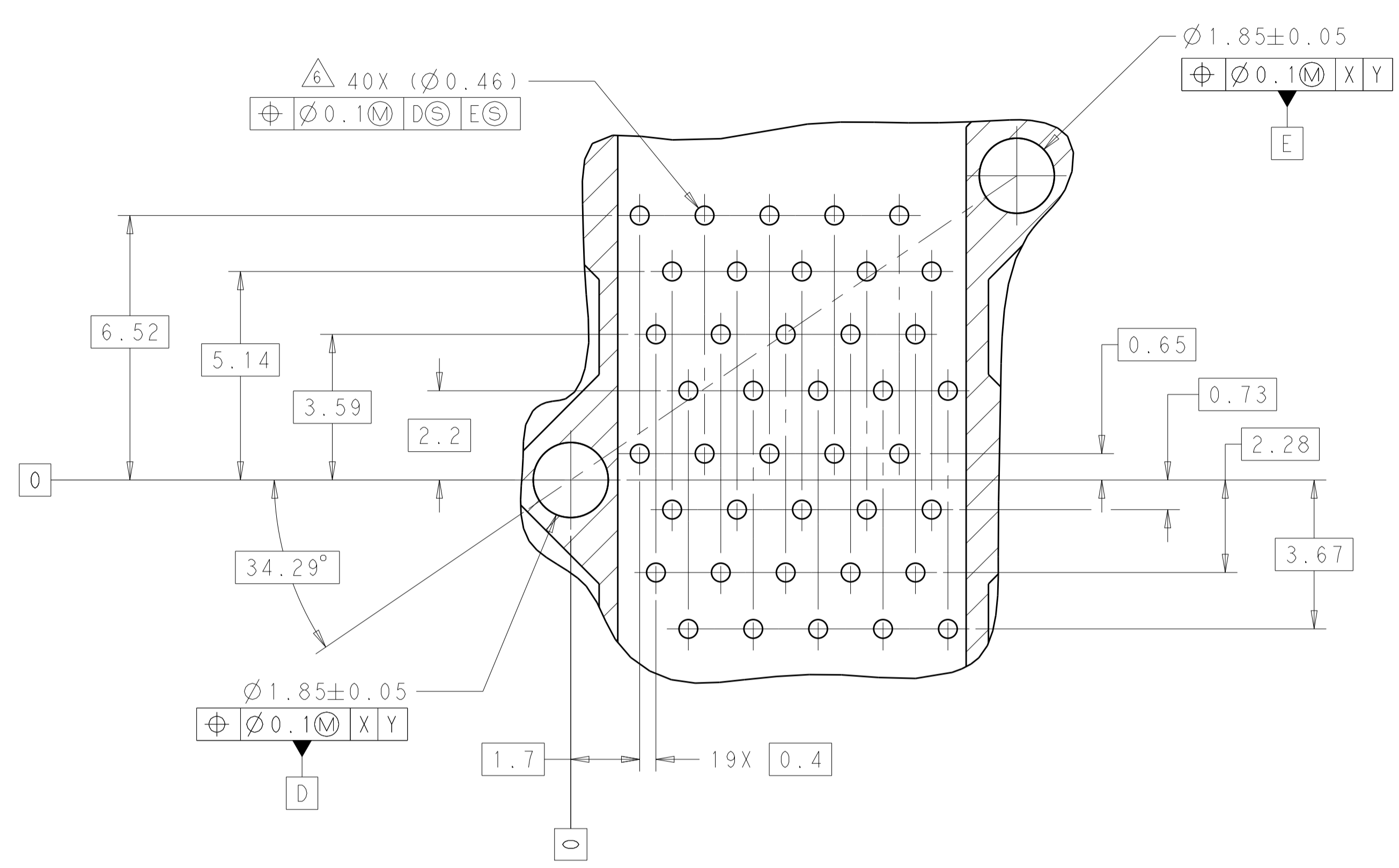


DETAIL H
CONNECTOR PIN-OUT
COMPONENT SIDE OF BOARD
8X INDIVIDUALLY
SCALE 10:1

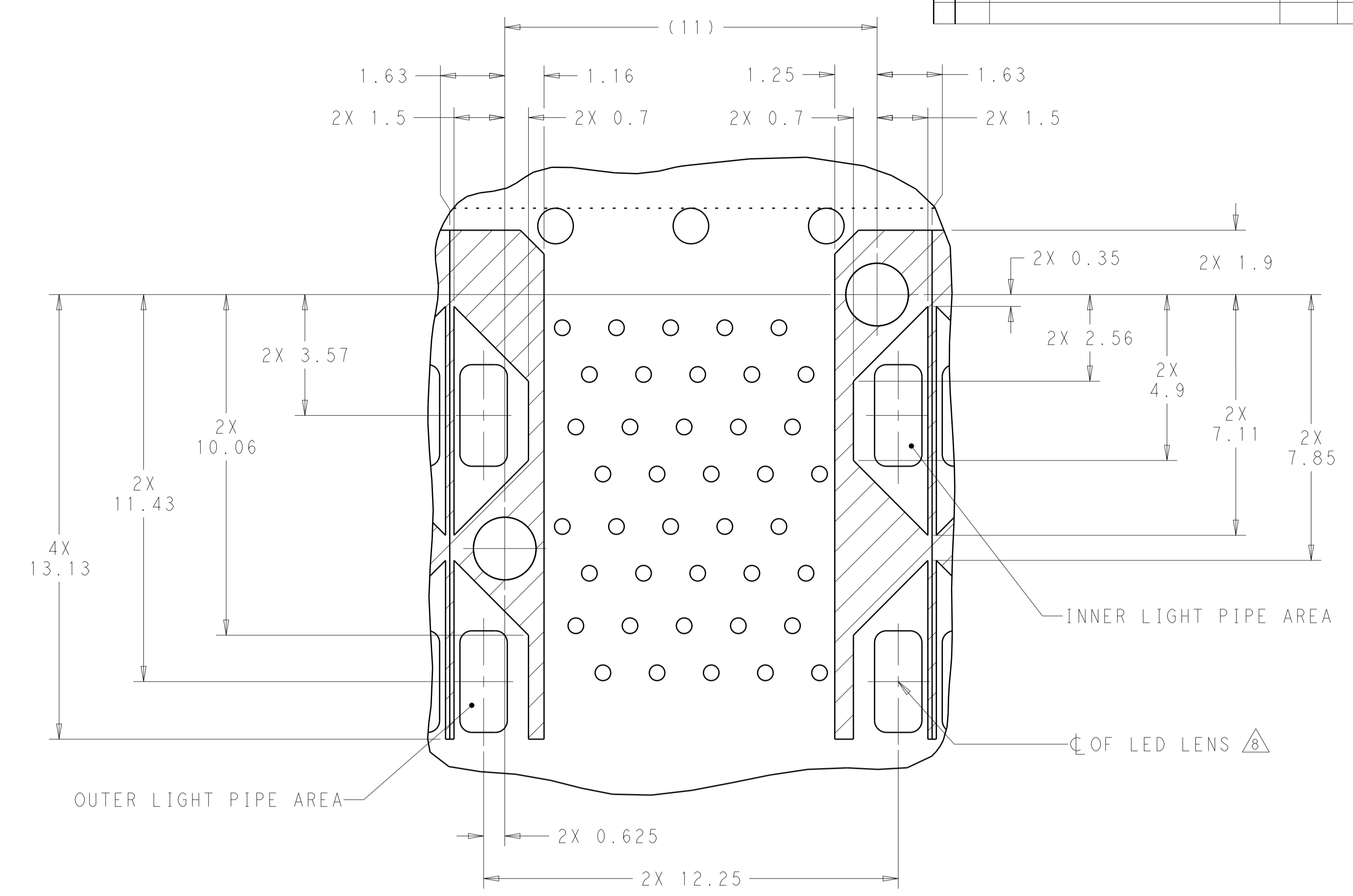
RECOMENDED PCB LAYOUT
COMPONENT SIDE OF THE BOARD
SCALE 4:1

THIS DRAWING IS A CONTROLLED DOCUMENT. DIMENSIONING AND TOLERANCING PER ASME Y14.5M-2009.		DMN: C. VALENTINE CHK: J. PETERSON APVD: J. PETERSON	08OCT2010 08OCT2010 08OCT2010	 TE Connectivity	NAME: CAGE AND PT CONNECTOR ASSEMBLY, WITH EMI SPRINGS, PRESS FIT, 2X8, STACKED SFP+
DIMENSIONS: mm TOLERANCES UNLESS OTHERWISE SPECIFIED: 0 PLC ±0.10 1 PLC ±0.10 2 PLC ±0.10 3 PLC ±0.10 4 PLC ±0.10 ANGLES ±0.10 FINISH:	PRODUCT SPEC: 108-2331 APPLICATION SPEC: 114-13219 WEIGHT:	SIZE: A1 CAGE CODE: 00779 DRAWING NO: C=2149490	RESTRICTED TO:		
MATERIAL:		CUSTOMER DRAWING		SCALE: 3:1	SHEET 3 OF 4

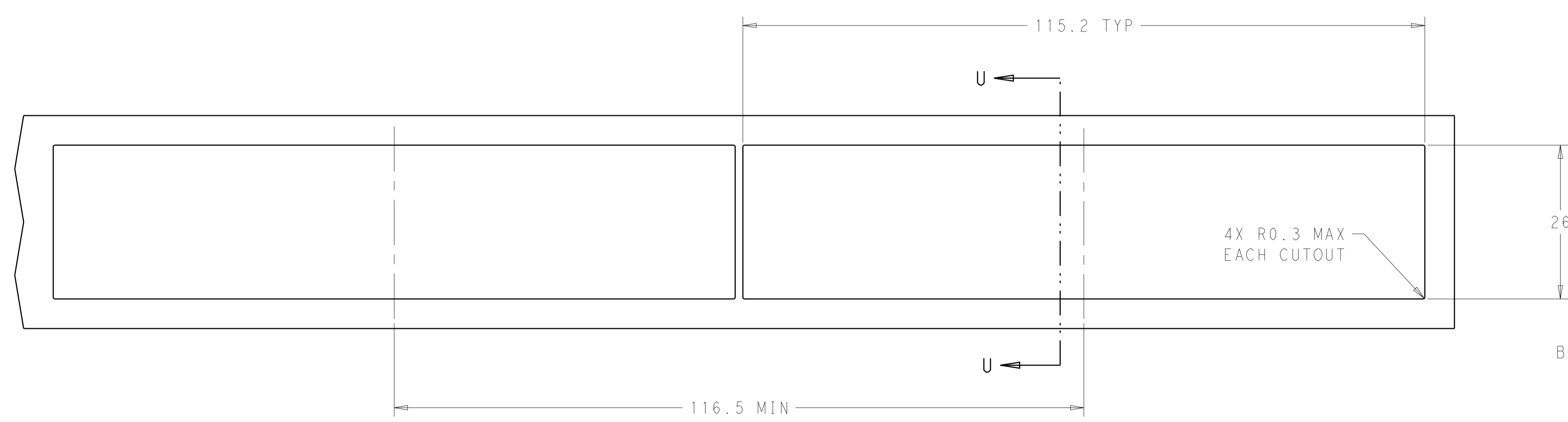
LOC	DIST	REVISIONS	DATE	OWN	APVD
		SEE SHEET 1			



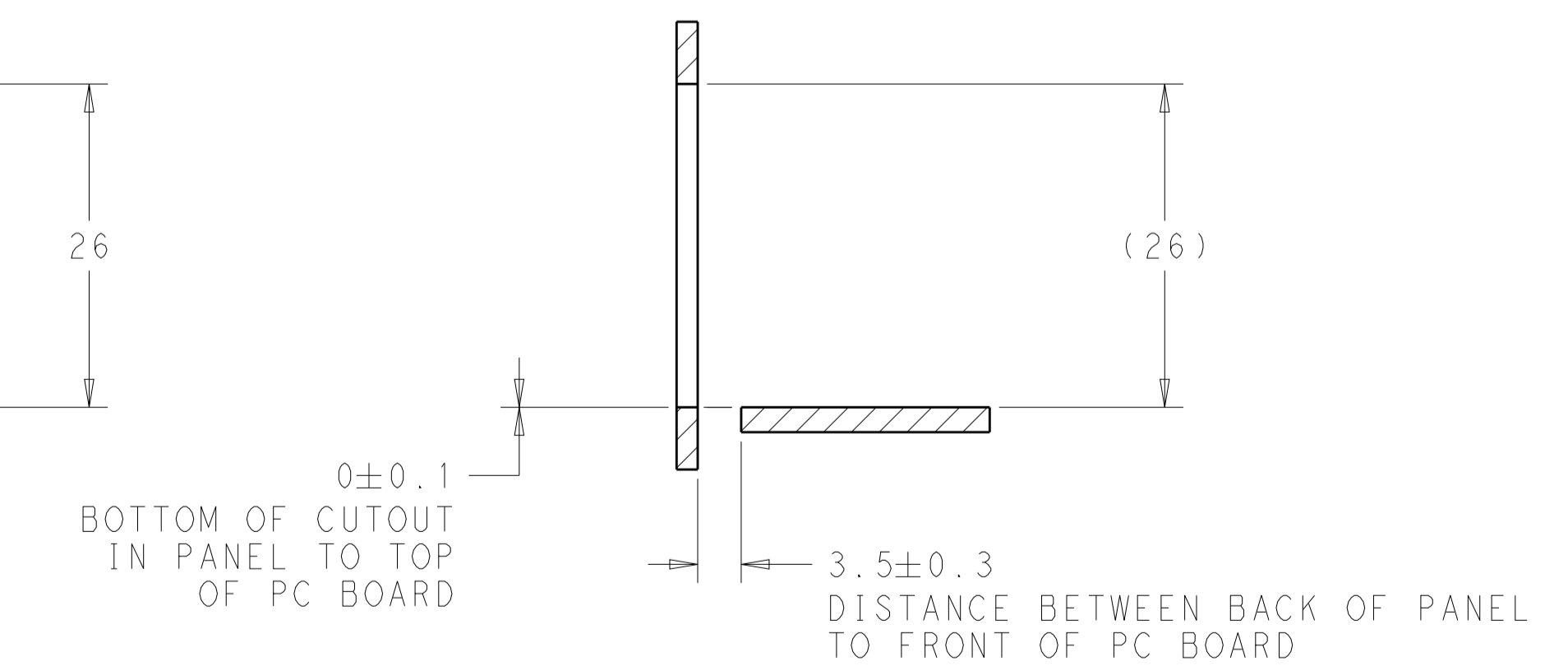
DETAIL F
 8X INDIVIDUALLY
 SCALE 10:1



DETAIL G
 CONNECTOR HOUSING
 KEEPOUT ZONE
 8X INDIVIDUALLY
 SCALE 10:1



RECOMMENDED PANEL CUTOUT
 AND PC BOARD, PANEL LAYOUT
 SCALE 2:1



SECTION U-U
 SCALE 2:1

THIS DRAWING IS A CONTROLLED DOCUMENT. DIMENSIONING AND TOLERANCING PER ASME Y14.5M-2009		DWN: C. VALENTINE CHW: J. PETERSON APVD: J. PETERSON	08OCT2010 08OCT2010 08OCT2010	TE Connectivity NAME: CAGE AND PT CONNECTOR ASSEMBLY, WITH EMI SPRINGS, PRESS FIT, 2X8, STACKED SFP+
DIMENSIONS: mm	TOLERANCES UNLESS OTHERWISE SPECIFIED:	PRODUCT SPEC: 108-2331	APPLICATION SPEC: 114-13219	
MATERIAL:	FINISH:	WEIGHT:	CAGE CODE: 100779	DRAWING NO: 2149490
CUSTOMER DRAWING			SCALE: 3:1	SHEET 4 OF 4