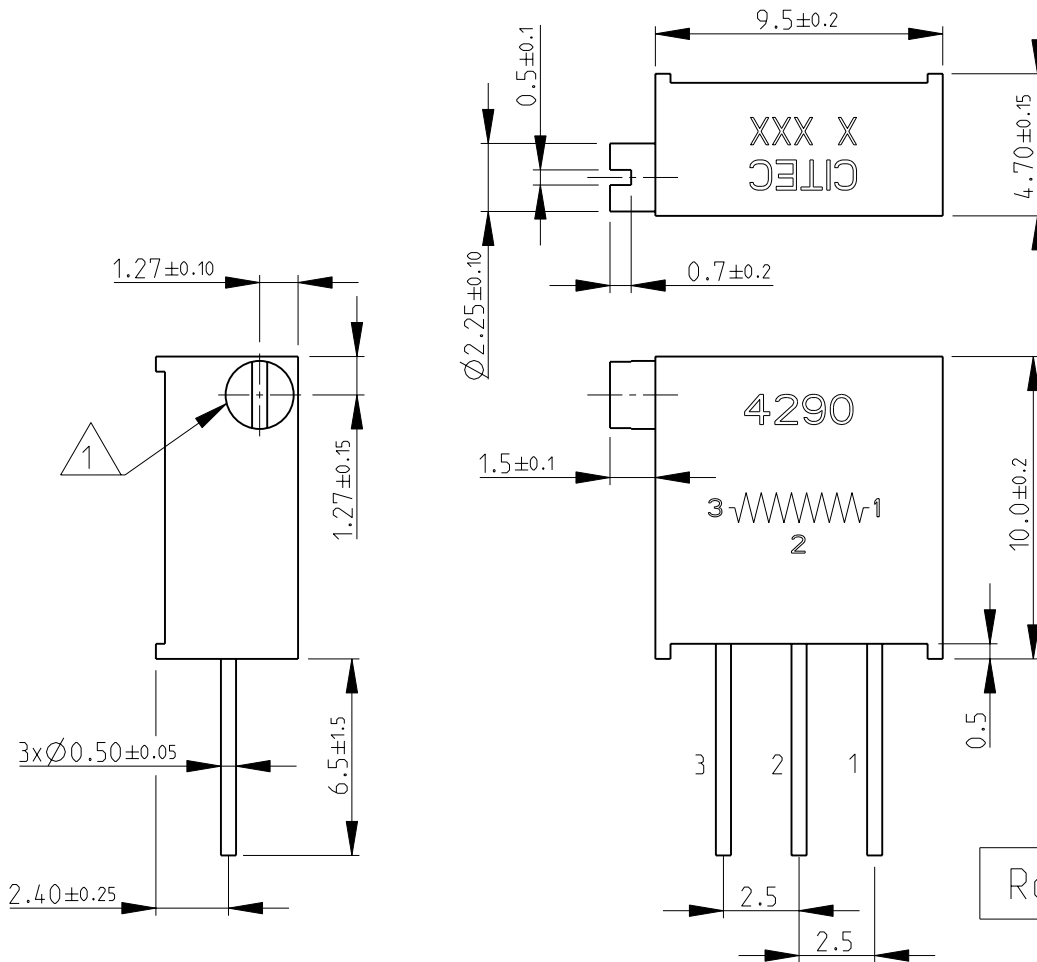


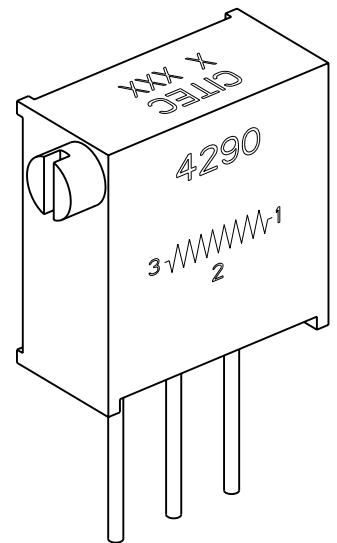
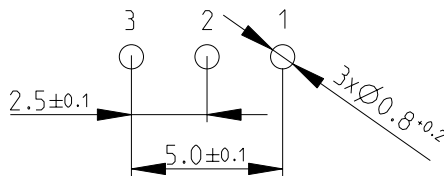
LOC		DIST		REVISIONS			
P	LTR	DESCRIPTION		DATE	DWN	APVD	
E	B	BA	NEW RELEASE	09-Sep-08	SM	St.P	



RoHS Compliant

- 1 SIDE ADJUSTMENT SCREW
- 2 FOR FURTHER INFORMATION SEE DATA SHEET FOR 4290 SERIES-PROFESSIONAL TRIMMERS

PCB PIERCING PLAN



2008

RELEASED FOR PUBLICATION

THIS DRAWING IS UNPUBLISHED.

BY TYCO ELECTRONICS CORPORATION. ALL RIGHTS RESERVED.

DIMENSIONS: mm	DWN SUBHASH.M	09-Sep-08	MATERIAL	-	FINISH	-
	CHK PRAKASH.S	09-Sep-08	Tyco Electronics Corporation Dorcan, Swindon, SN3 5HH			
TOLERANCES UNLESS OTHERWISE SPECIFIED:	APVD STEPHEN.P	09-Sep-08				
	0 PLC ±0.5	PRODUCT SPEC	PROFESSIONAL TRIMMERS			
1 PLC ±0.2	-	APPLICATION SPEC	SERIES 4290X			
2 PLC ±0.1	-	-	SIZE	CAGE CODE	DRAWING NO	RESTRICTED TO
3 PLC ±-	-	-	A 4	00779	©-1623850	-
4 PLC ±-	-	-	CUSTOMER DRAWING		SCALE	4:1
ANGLES ±5°	WEIGHT	-	SHEET		1	OF 1
	-		REV		BA	