

PLEASE CHECK WWW.MOLEX.COM FOR LATEST PART INFORMATION

Part Number: [0732512300](#)
Status: **Active**
Overview: [SMA RF Connectors](#)
Description: 50 Ohms, SMA Jack, Reverse Polarity

Documents:

[Drawing \(PDF\)](#) [RoHS Certificate of Compliance \(PDF\)](#)

General

Product Family	RF/Coax Connectors
Series	73251
Overview	SMA RF Connectors
Product Name	SMA
Style	PCB
UPC	822348145874
Wire/Cable Type	N/A

Physical

Gender	Jack
Keying to Mating Part	None
Net Weight	1.473/g
Orientation	Straight
PCB Mounting	Surface Mount
Packaging Type	Tray
Panel Mount	Yes
Panel Mount Method	N/A
Reverse Polar	Yes

Electrical

Impedance	50#
-----------	-----

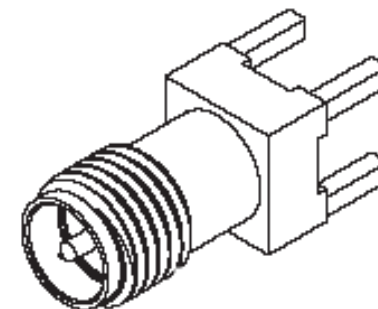
Solder Process Data

Duration at Max. Process Temperature (seconds)	010
Lead-free Process Capability	SMC&WAVE
Max. Cycles at Max. Process Temperature	002
Process Temperature max. C	260

Material Info

Reference - Drawing Numbers

Sales Drawing	SD-73251-230
---------------	--------------



Series image - Reference only

EU ELV

Not Relevant

EU RoHS

Compliant with Exemption 6(c)

REACH SVHC

Not Contained Per - ED/21/2016 (20 June 2016)

Halogen-Free

Status

Low-Halogen

Need more information on product environmental compliance?

Email productcompliance@molex.com
Please visit the [Contact Us](#) section for any non-product compliance questions.

China ROHS

50 Image

ELV

Not Relevant

Search Parts in this Series

[73251](#) Series

PLEASE CHECK WWW.MOLEX.COM FOR LATEST PART INFORMATION