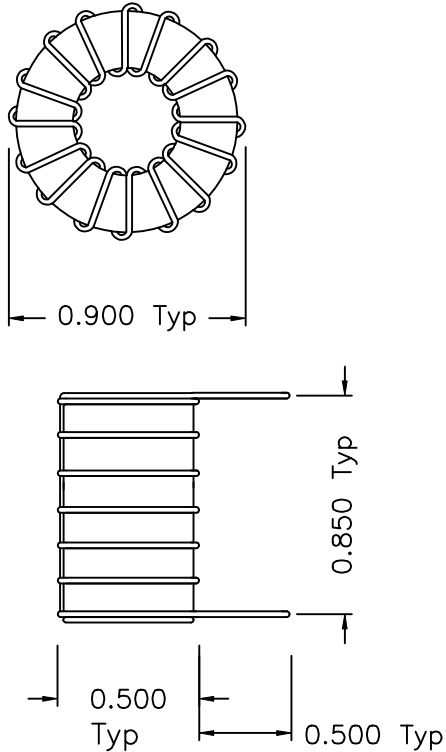


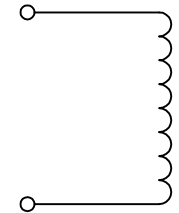
1. Mechanical Dimensions:



WINDING DETAIL:

STRIP AND TIN TO MOUNT PLAIN
 VARNISH REQUIRED
 NO MARKINGS REQUIRED

2. Schematic:



3. Electrical Specifications: @25°C

OCL: 200uH±15% @10KHz 0.1V
 DC Resistance: 0.070 Ohms Maximum
 OCL: 150uH Typ. @1KHz 1V 2.0Adc

Notes:

1. Solderability: Leads shall meet MIL-STD-202, Method 208D for solderability.
2. Flammability: UL94V-0
3. ASTM oxygen index: > 28%
4. Insulation System: Class F 155°C. UL file E151556
5. Operating Temperature Range: All listed parameters are to be within tolerance from -40°C to +85°C
6. Storage Temperature Range: -55°C to +125°C
7. Aqueous wash compatible

DOC. REV: A/1

XFMRs Inc		Title: HORIZONTAL OPEN TOROID	
UNLESS OTHERWISE SPECIFIED TOLERANCES: .xxx ±0.10 Dimensions in INCH	P/N: XF2006-HO		REV. A
	DWN.	李清儿	Oct-29-02
	CHK.	孙小悦	Oct-29-02
SHEET 1 OF 1	APP.	BW	Oct-29-02