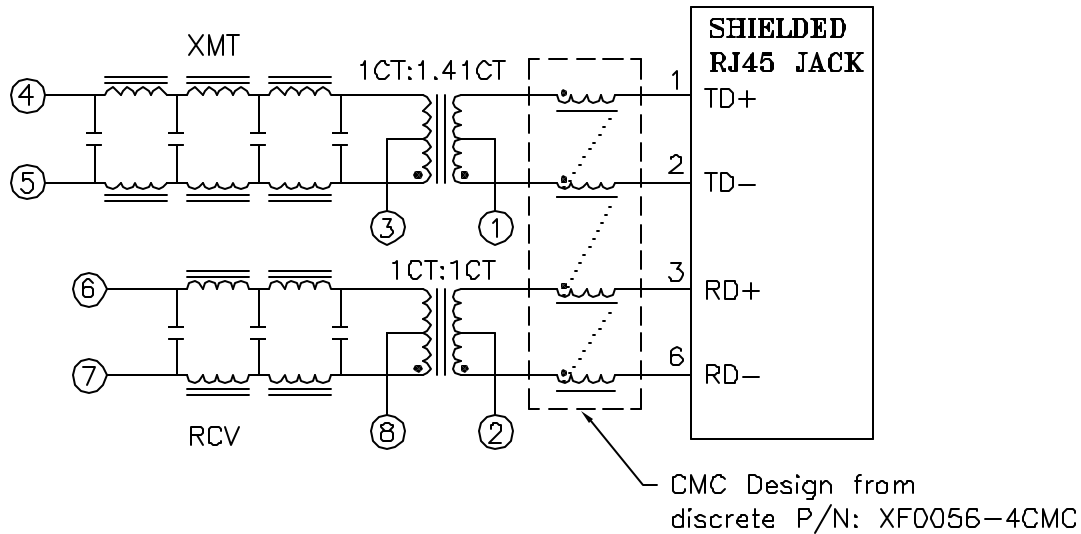


## 1. Schematic:



## 2. Electrical Specifications: @25°C

ISOLATION: 1500 VRMS

INSERTION LOSS (1-10MHz): -1dB Maximum

ATTENUATION @30MHz:

TRANSMIT -30dB Minimum

RECEIVER -18dB Minimum

RETURN LOSS (1-10MHz): -15dB Minimum

CUTOFF FREQUENCY: 17MHz TYPICAL

CROSSTALK (1-10MHz): -30dB Minimum

I/O IMPEDANCE: 100:100 OHMS (RX)

I/O IMPEDANCE: 50:100 OHMS (TX)

### Notes:

1. Solderability: Leads shall meet MIL-STD-202G, Method 208H for solderability.
2. Flammability: UL94V-0
3. ASTM oxygen index: > 28%
4. Insulation System: Class F 155°C. UL file E151556
5. Operating Temperature Range: All listed parameters are to be within tolerance from -40°C to +85°C
6. Storage Temperature Range: -55°C to +125°C
7. Aqueous wash compatible
8. Electrical and mechanical specifications 100% tested
9. RoHS Compliant Component

**XFMRs Inc.**  
www.XFMRs.com

Title: **SINGLE PORT COMBO**

UNLESS OTHERWISE SPECIFIED  
TOLERANCES:  
.xxx ±0.010  
Dimensions in Inch

P/N: XF10BASEA-COMBO1-1S

REV. B

DWN.

罗振江

Dec-27-05

CHK.

廖玉坤

Dec-27-05

APP.

MS

Dec-27-05

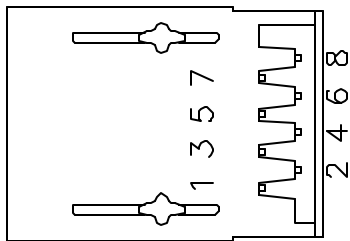
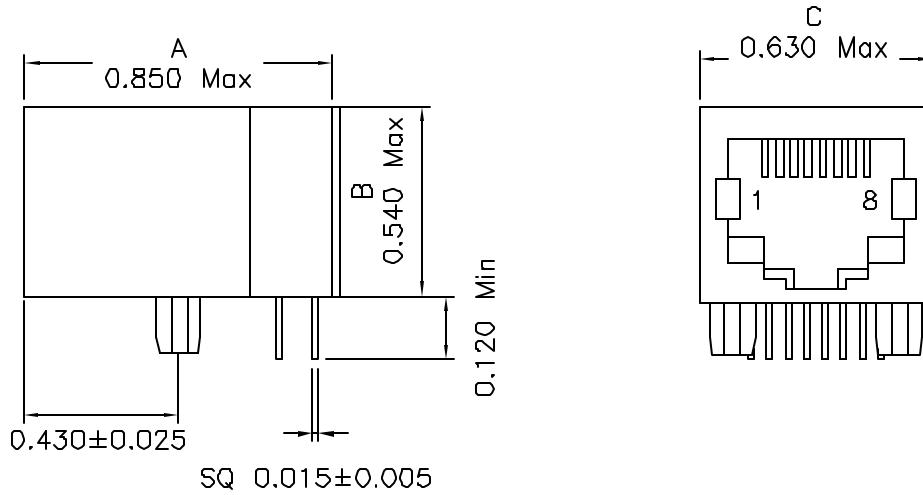
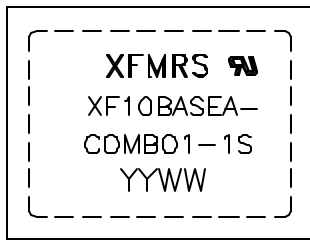
Doc Rev.: B/3

SHEET 1 OF 2

**PROPRIETARY:**

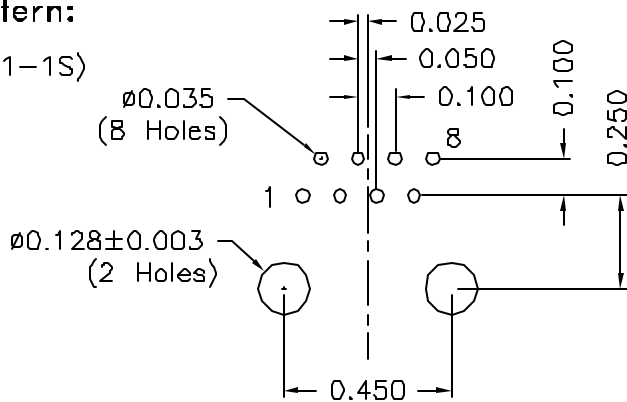
Document is the property of XFMRs Group & is not allowed to be duplicated without authorization.

### Mechanical Dimensions:



### Mounting Pattern:

(FOR COMB01-1S)  
(COMP SIDE)



DOC. REV. B/3

**PROPRIETARY:**

Document is the property of XFMRS Group & is not allowed to be duplicated without authorization.

<b>XFMR5 Inc.</b> www.XFMRS.com	Title: Mechanical Dimensions For COMB01-1S Series		
	UNLESS OTHERWISE SPECIFIED TOLERANCES: .xxx ±0.010 Dimensions in Inch	P/N: XF10BASEA-COMB01-1S	REV B
SHEET 2 OF 2	APP. MS	CHK. YK Liao Dec-27-05	Dec-27-05