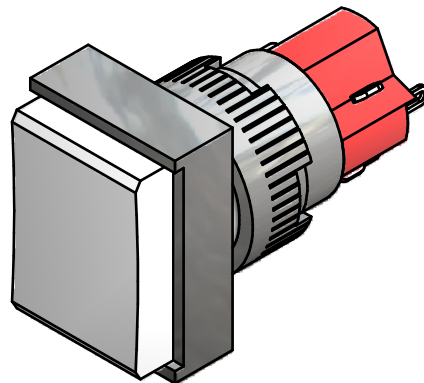
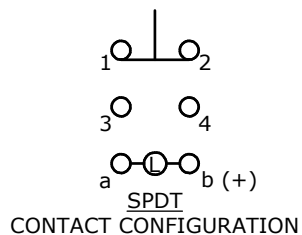


PANEL MOUNTING

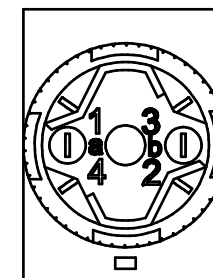
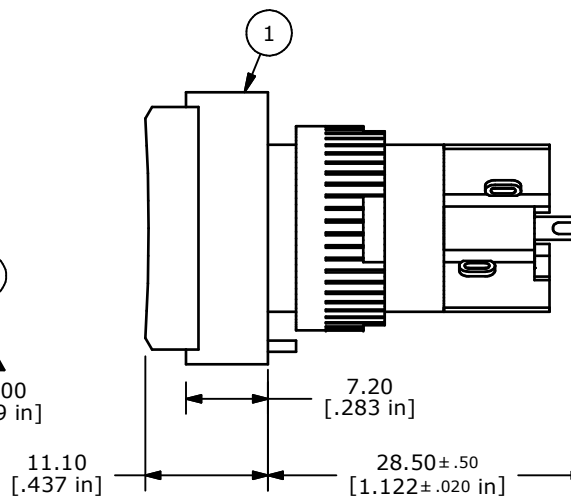
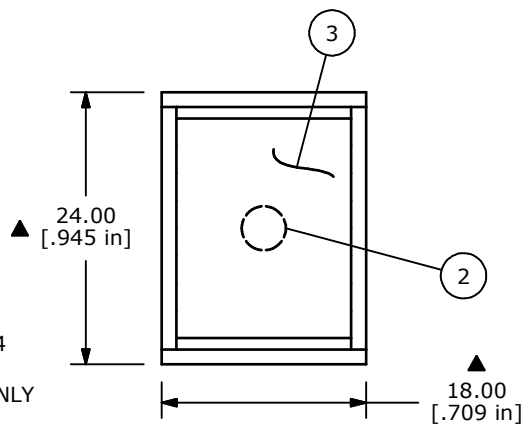


| PARTS LIST | | | |
|------------|-----|-------------|--------------------------------|
| ITEM | QTY | PART NUMBER | DESCRIPTION |
| 1 | 1 | F040007 | D16OAT11 |
| 2 | 1 | F050423 | 5000423 24VDC RED LED |
| 3 | 1 | F050205 | 5000205 TRANSPARENT WHITE LENS |



CONTACT CONFIGURATION

- NOTE:
- ALL DIMENSIONS IN MM [INCH]
 - GENERAL TOLERANCE: X.X=±0.4
X.XX=±0.25
 - TERMINAL NUMBERS FOR REF ONLY
 - RATING: 5A @ 250 VAC
6A @ 24 VDC
 - MECHANICAL LIFE: 100,000 CYCLES
 - ELECTRIC LIFE: 50,000 MAKE-AND-BREAK CYCLES AT FULL LOAD.
 - INSULATION RESISTANCE: 1,000 MEGA-OHM MIN.
 - OPERATING TEMP.: -20°C to 55°C
 - ▲ LAMP VOLTAGE: 24V DC RED LED
 - SEAL RATING: IP40
 - ▲ DENOTES CRITICAL PARAMETER.
 - PANEL THICKNESS: 0.5mm TO 5.0 mm.
 - 2002/05/EC (ROHS) COMPLIANT.
 - PACKAGE: BOX/20 PIECES PER BOX



| | | | |
|--|----------------|--------|-------------|
| | | | |
| TITLE D16OAT11KREDWHT | | | |
| SCALE 1.5:1 | DATE 6/24/2010 | DR BLR | DWG XF0822P |
| THE INFORMATION CONTAINED IN THIS DOCUMENT IS PROPRIETARY TO E-SWITCH AND IS NOT TO BE COPIED OR TRANSFERRED | | REV A | |

| | | | | |
|-----|--------|-------------------------|---------|-----|
| A | 19142 | RELEASED FOR PRODUCTION | 6/24/10 | BLR |
| REV | PCR NO | DESCRIPTION | DATE | BY |