



TAI-SAW TECHNOLOGY CO., LTD.

No. 3, Industrial 2nd Rd., Ping-Chen Industrial District,
Taoyuan, 324, Taiwan, R.O.C.

TEL: 886-3-4690038 FAX: 886-3-4697532

E-mail: tstsales@mail.taisaw.com Web: www.taisaw.com

Product Specifications Approval Sheet

Product description: 499 MHz 24MHz BW SMD 3.8 x 3.8 mm SAW RF Filter

TST Parts No.:TA1352A

Customer Parts No.: _____

Customer signature required
Company: _____
Division: _____
Approved by : _____
Date: _____

Checked by: _____ Kazuma Lee 

Approval by: _____ Bob Chau 

Date: _____ 11 / 28 / 2013

1. Customer signed back is required before TST can proceed with sample build and receive orders.
2. Orders received without customer signed back will be regarded as agreement on the specifications.
3. Any specifications changes must be approved upon by both parties and a new revision of specifications shall be released to reflect the changes.



TAI-SAW TECHNOLOGY CO., LTD.

No. 3, Industrial 2nd Rd., Ping-Chen Industrial District,
Taoyuan, 324, Taiwan, R.O.C.

TEL: 886-3-4690038 FAX: 886-3-4697532

E-mail: tstsales@mail.taisaw.com Web: www.taisaw.com

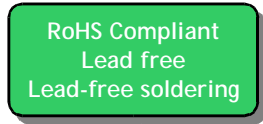
SAW Filter 499 MHz

MODEL NO.: TA1352A

REV. NO.: 2

A. MAXIMUM RATING:

1. Input Power Level: 10 dB_m
2. DC voltage: 5 V
3. Operating Temperature: -30°C to 60°C
4. Storage Temperature: -40°C to +85°C



Electrostatic Sensitive Device (ESD)

B. CHARACTERISTICS:

1. Ambient Temperature: 25 (C)

Item	Unit	Min.	Typ.	Max.
Center frequency, Fc	MHz	-	499	-
Amplitude ripple (487 ~ 511 MHz)	dB	-	1.1	1.7
Insertion loss, IL (487 ~ 511 MHz)	dB	-	2.2	3.0
Group Delay, GD (487 ~ 511 MHz)	ns	-	52	200
Bandwidth @ -3 dB		24	33.4	-
Attenuation (reference from 0dB)				
0.3 ~ 450 MHz	dB	34	39	-
450 ~ 470 MHz	dB	10	18	-
530 ~ 560 MHz	dB	10	20	-
560 ~ 800 MHz	dB	38	43	-
800 ~ 1000 MHz	dB	32	37	-
Source impedance, Z _S	Ω	-	50	-
Load impedance, Z _L	Ω	-	50	-

Note1. No matching network required for operation at 50Ω

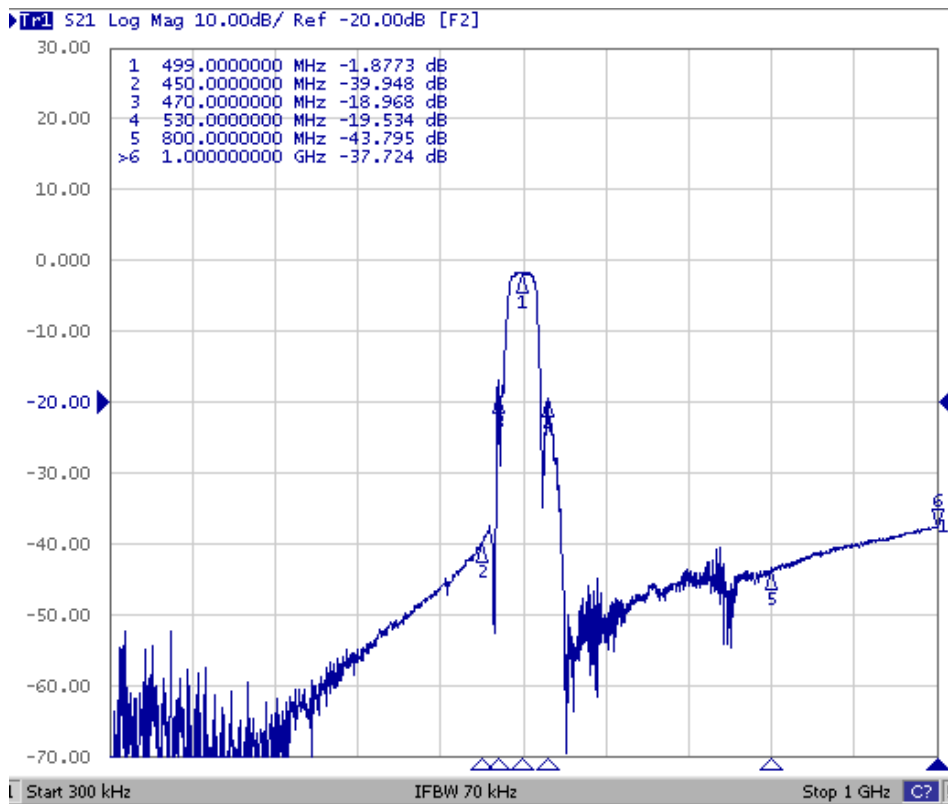
1. Ambient Temperature: -30°C ~ 60°C

Item	Unit	Min.	Typ.	Max.
Center frequency, Fc	MHz	-	499	-
Amplitude ripple (487 ~ 511 MHz)	dB	-	1.1	2.0
Insertion loss, IL (487 ~ 511 MHz)	dB	-	2.2	4.0
Group Delay, GD (487 ~ 511 MHz)	ns	-	52	200
Bandwidth @ -3 dB		24	33.4	-
Attenuation (reference from 0dB)				
0.3 ~ 450 MHz	dB	34	39	-
450 ~ 470 MHz	dB	10	18	-
530 ~ 560 MHz	dB	10	20	-
560 ~ 800 MHz	dB	38	43	-
800 ~ 1000 MHz	dB	32	37	-
Source impedance, Z _S	Ω	-	50	-
Load impedance, Z _L	Ω	-	50	-

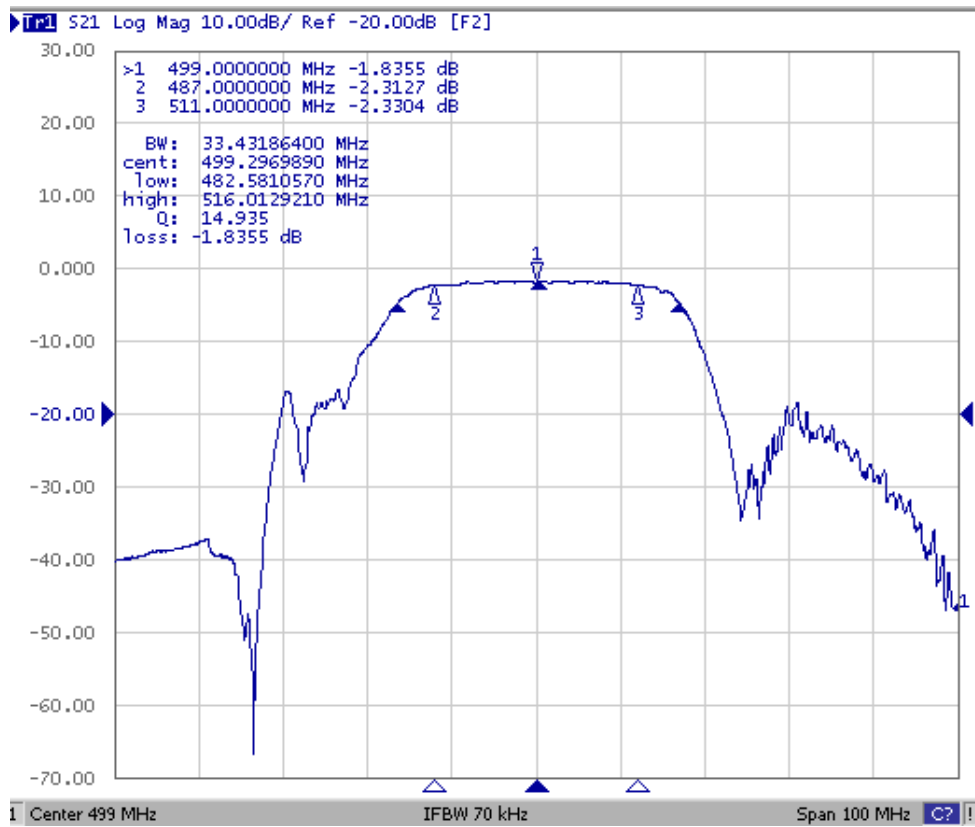
Note1. No matching network required for operation at 50Ω

C. Transfer Function :

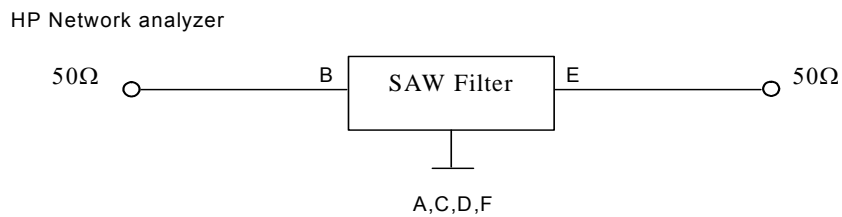
Wideband



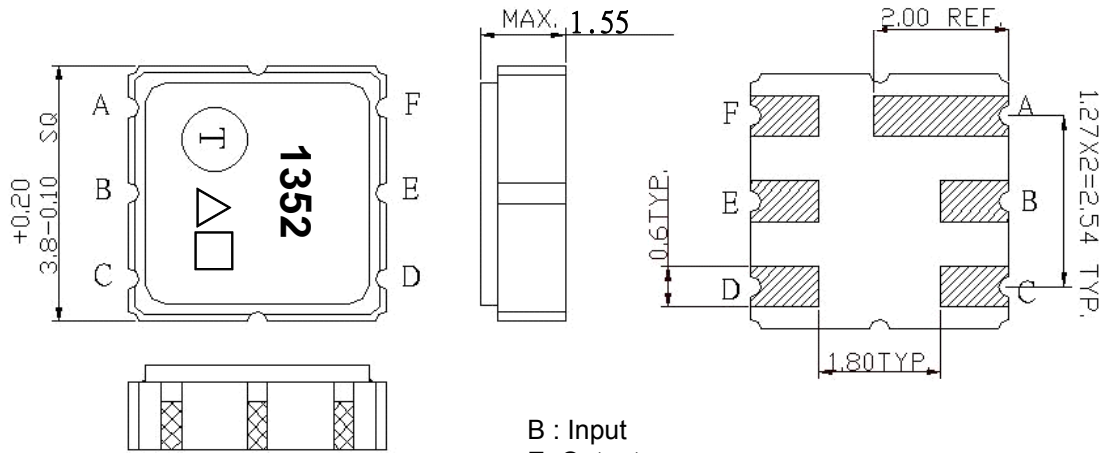
Passband



D. MEASUREMENT CIRCUIT:



E.OUTLINE DRAWING:



B : Input
 E: Output
 A,C,D,F Ground
 △:Year Code
 □: Date Code
 Unit: mm

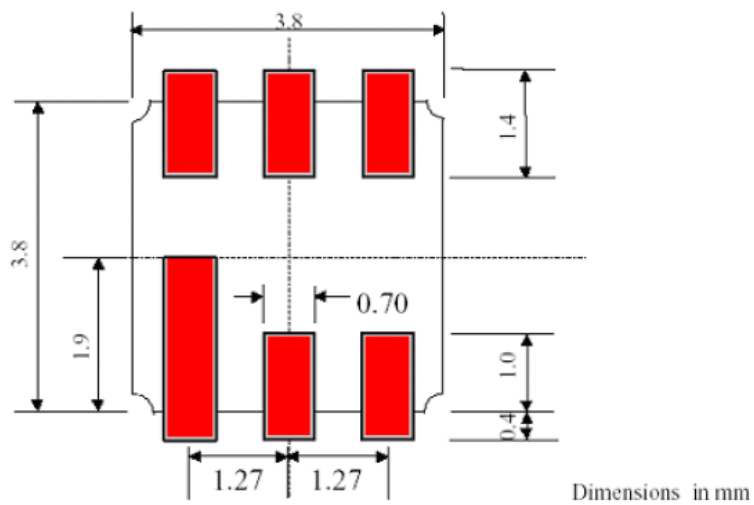
△ Product Year Code

Year	2011	2012
	2013	2014
	2015	2016
	.	.
Product Code	A	a

Week Code Table

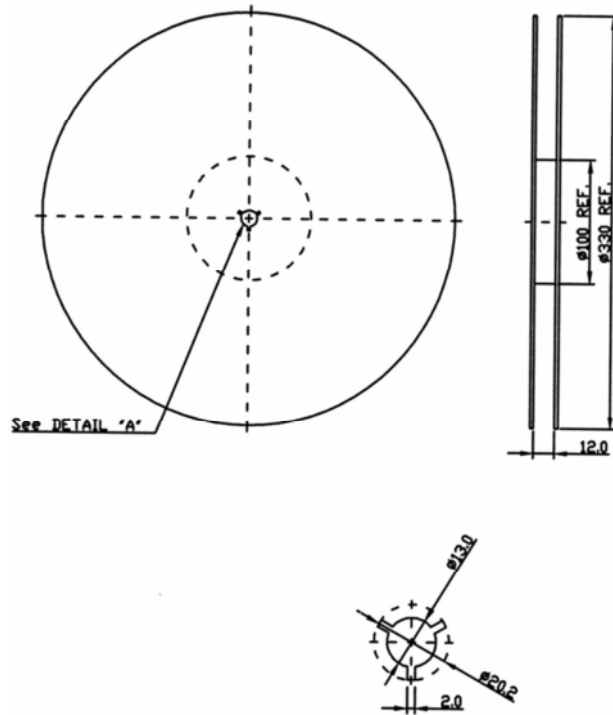
WK01	WK02	WK03	WK04	WK05	WK06	WK07	WK08	WK09	WK10	WK11	WK12	WK13
A	B	C	D	E	F	G	H	I	J	K	L	M
WK14	WK15	WK16	WK17	WK18	WK19	WK20	WK21	WK22	WK23	WK24	WK25	WK26
N	O	P	Q	R	S	T	U	V	W	X	Y	Z
WK27	WK28	WK29	WK30	WK31	WK32	WK33	WK34	WK35	WK36	WK37	WK38	WK39
a	b	c	d	e	f	g	h	i	j	k	l	m
WK40	WK41	WK42	WK43	WK44	WK45	WK46	WK47	WK48	WK49	WK50	WK51	WK52
n	o	p	q	r	s	t	u	v	w	x	y	z

F. PCB Footprint:

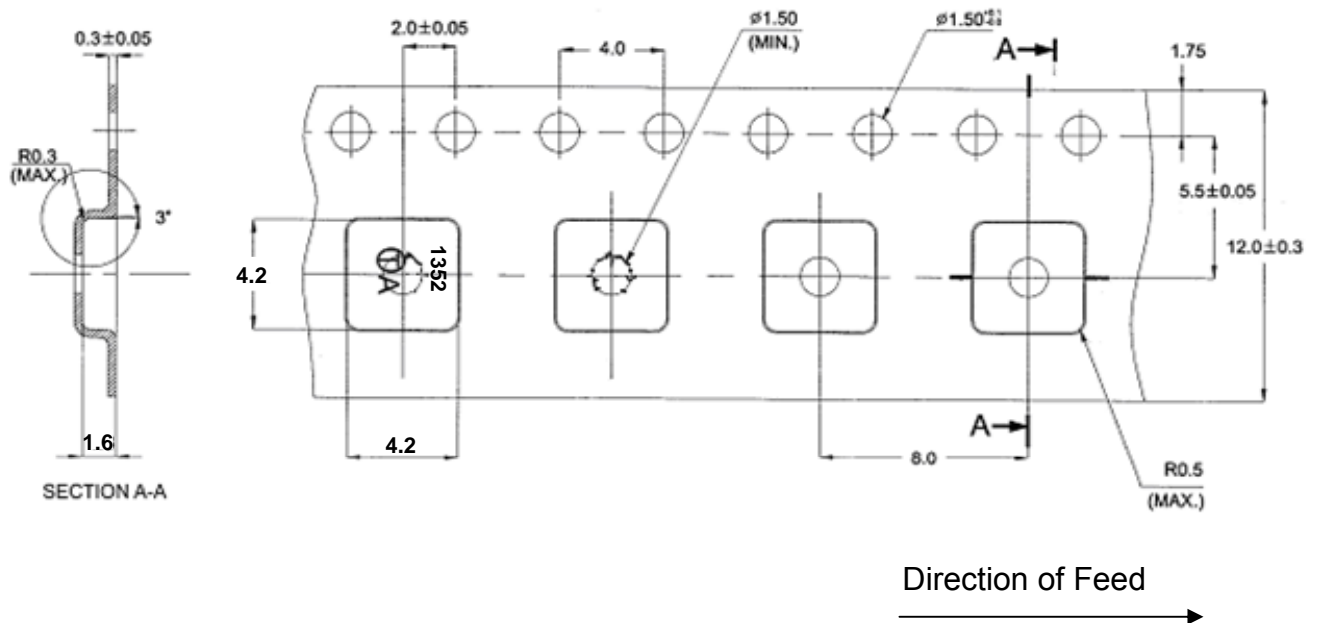


G. PACKING:

1. REEL DIMENSION (Please refer to FR-75D10 for packing quantity)



2. TAPE DIMENSION



H. RECOMMENDED REFLOW PROFILE :

