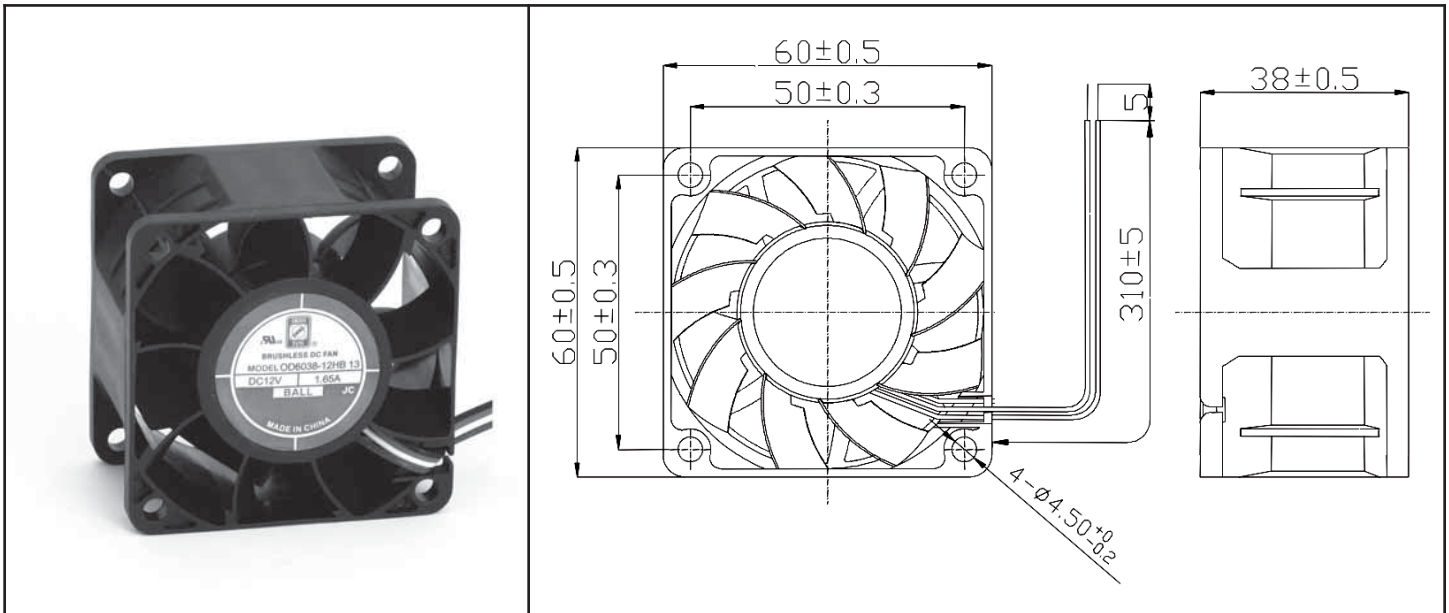


OD6038 'VA' Series' Vane Axial High Pressure



DC Vanaxial Fan
60x38mm (2.36"x 1.5")



Frame & Impeller	PBT, UL94V-O plastic	Available Options Tachometer (FG) Locked Rotor Alarm (RD) Thermal Control Other speeds and voltages available by special order IP55 PWM m1	
Connection	2x Lead wires, Red(+), Black (-)		
Motor	Brushless DC, auto restart, polarity protected.		
Bearing System	Dual ball bearing		
Insulation Resistance	Min. 10M at 500VDC		
Dielectric Strength	1 minute at 500VAC / 1 second, max leakage 500 microamp		
Temperature Range	-10C ~ +70C		
Storage Temperature	-40C ~ +80C		
Life (L10)	50,000 hours (40C)		

MODEL NUMBER	SPEED (RPM)	AIRFLOW (CFM)	NOISE (DB)	VOLTS DC	POWER (WATTS)	AMPS	MAX. STATIC PRESSURE (iH ₂ O)
OD6038-12HB-VXC	10000	61	64	12	17	1.42	1.59
OD6038-12MB-VXC	8000	48	58	12	8	0.64	0.97
OD6038-12LB-VXC	6000	38	50	12	3	0.28	0.58
OD6038-24HB-VXC	10000	61	64	24	21	0.88	1.59
OD6038-24MB-VXC	8000	48	58	24	10	0.43	0.97
OD6038-24LB-VXC	6000	38	50	24	4	0.20	0.58