

# AC Common Mode Choke Coils

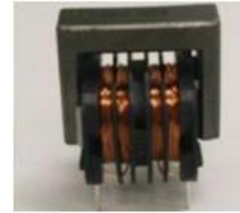
## NFC1520



Under Development Type

### Description

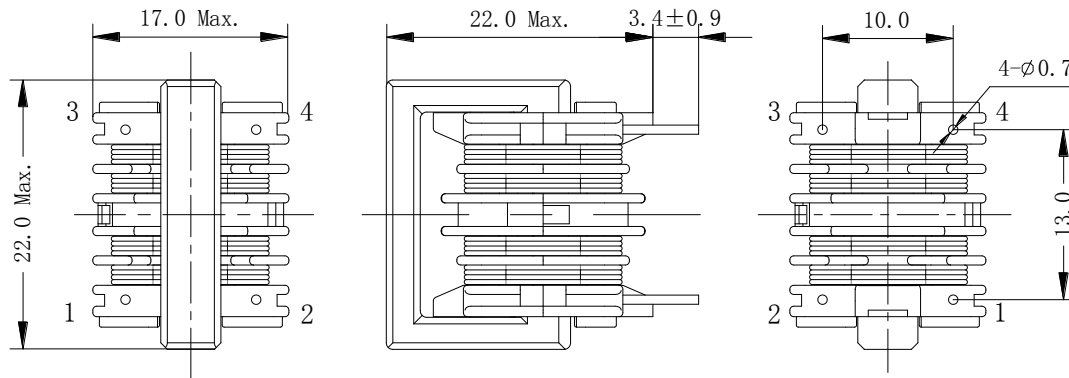
- LxWxH:22.0x17.0mmx22.0mm Max.
- In addition to the parameters shown here, custom designs are available to meet your exact requirements.
- RoHS Compliance.



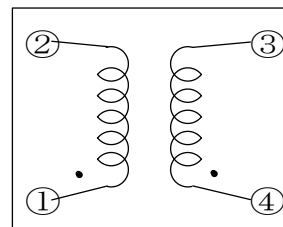
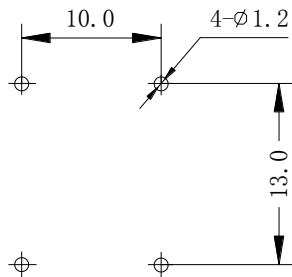
### Feature

- Ideally used as AC common mode filter for Ink-jet printer, VR, TV.
- Operating temperature range : - 25°C~+105°C (including coil's temperature rise)

### Dimensions - [mm]



### Land patterns and Schematics (bottom view)- [mm]



#1 and #4, #2 and #3 are with the same polarities.

### Electrical Characteristics

	Specification	Measuring conditions
Inductance Between(1-2)or(3-4)	16mH Min.	1kHz,1V
Rated current Between(1-4)	0.6A	PIN#2 and PIN#3 shorted
D.C.R. Between(1-2)or(3-4)	1.1Ω Max.	at 20°C



For sales office information, please [click here](#) to visit our website.

Note: This specification is subject to change without notice. Please contact your nearest sales office for updated information when placing an order.