

# Waterproof Industrial Rectangular Connector

## DIS Series

## DDK Ltd.



Waterproof

IP67

Lock Type

One-touch  
Locking

### OUTLINE

DIS series is a lightweight, waterproof connector encased in a plastic shell.

The connector enables mating and unmating in a shorter time and has better operability in limited space by employing a push/pull system for mating and unmating and having ridges on the surface for ease of grabbing the product. The connector is equipped with a lock system to prevent the connector from inadvertently unmating, but the connector is still easily removable. The plastic shell contains an O ring and is more waterproof than metal shell connectors when the connector is mated. The adoption of crimping and the use of specialty tools reduces the connection process time and improves connection reliability.

### APPLICATIONS

Factory automation equipment(inside/outside),Industrial robot,  
Medical equipment,Telecommunications equipment, Office automation equipment,  
other electric equipment

### SPECIFICATIONS

Rated Voltage	200VAC (r.m.s.)
Rated Current	1A max.
Dielectric Withstand Volatge	900VAC (r.m.s.) / 1 minute
Insulation Resistance	1,000M $\Omega$ min. at 500VDC
Waterproof	IP67 (mated condition)
Number of contact	42
Lock Type	One-touch Locking

### MATERIAL /FINISH



Item	Material / Finish
Contact	Copper Alloy / Au over Ni Plating
Housing	PBT Resin(UL94V-0) / Black
Cable Clamp	Nylon Resin(UL94V-0) / Black
Dust cover	PBT Resin(UL94V-0) /Black (Plug) Chroloprene rubber /Black (Receptacle)

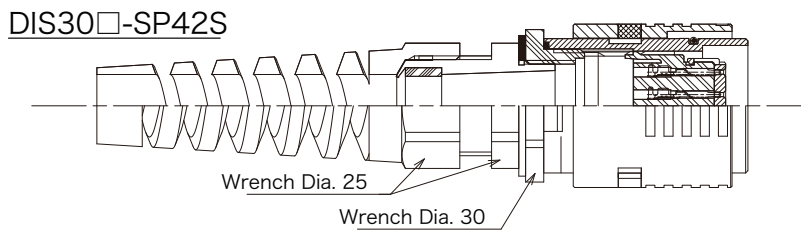
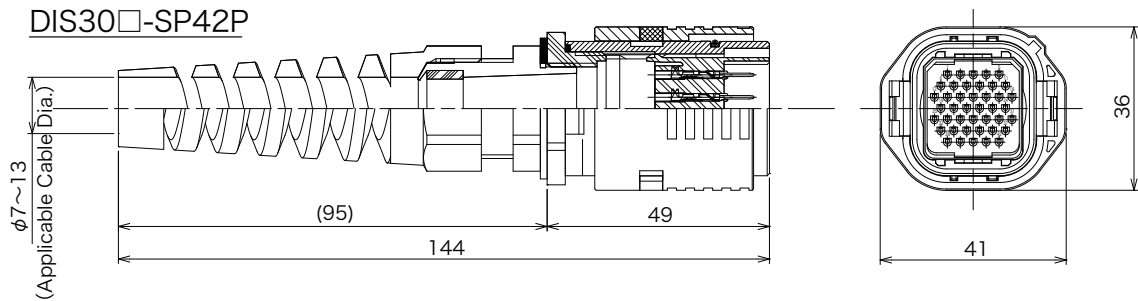
© Specifications and/or dimensions in this catalog are subject to change without notice.  
Please varify the latest specifications with our drawings.

## ▶ Straight Plug

DIS30  -SP42

①      ②      ③      ④

① Locking Mechanism	No digit : None (Standard) L : Available
② Connector Style	Straight
③ Number of contact	42
④ Contact Type	P : Pin contact S : Socket contact

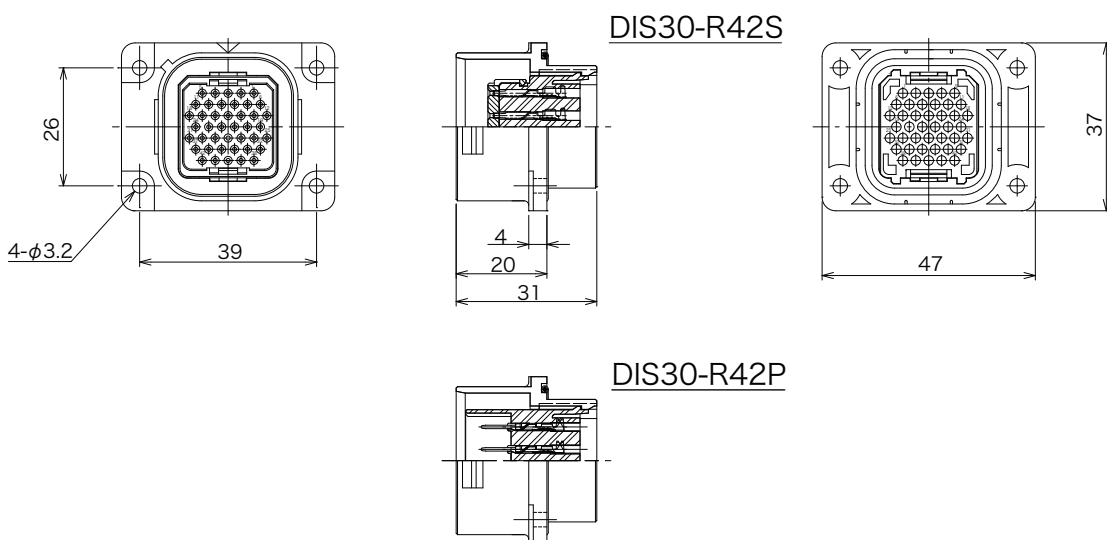


## ▶ Box Receptacle

DIS30-R42

①      ②      ③

① Connector Style	Box Receptacle
② Number of contact	42
③ Contact Type	P : Pin contact S : Socket contact



## Contact

### Socket Contact

※ Contacts are applied CM10's contacts.

#### Loose Piece Contact

Contact Type	Contact P/N (100pcs. in 1 bag)	Applicable Wire		Hand Tool P/N	Extraction Tool P/N
		Conductor Size	Insulation Dia.		
Crimping Type	CM10-#22SC(C1)(D8)-100	AWG20 ~ 22	$\phi$ 1.10 ~ $\phi$ 1.87	357J-50446T	357J-50548T
	CM10-#22SC(C2)(D8)-100	AWG23 ~ 28	$\phi$ 0.80 ~ $\phi$ 1.50	357J-50447T	
Solder Type	CM10-#22SC(S1)(D8)-100	AWG20 max.			

- The packaging specification is 100 pcs of contacts per bag for sale.
- Both of the solder contacts and the crimp contacts shall be inserted into the inserts of the connectors after soldering the contacts to the cable or crimping the contacts with the cable.

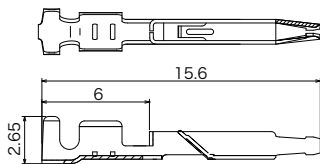
#### Reel Contact for Semi-Automatic Crimping Machine (Crimping Style Only)

The semi-automatic crimping machine is required when you terminate the reel contacts.

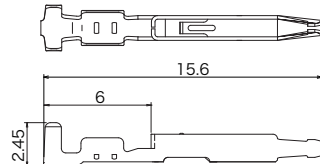
Contact P/N (5000pcs. on 1 reel)	Applicable Wire		Semi-automatic Crimping Machine		Extraction Tool P/N
	Conductor Size	Insulation Dia.	1set P/N	Applicator P/N	
CM10-#22SC(C1)(D8)-5000	AWG20 ~ 22	$\phi$ 1.10 ~ $\phi$ 1.87	AP-A50539T	AP-A50539T-1	357J-50548T
CM10-#22SC(C2)(D8)-5000	AWG23 ~ 28	$\phi$ 0.80 ~ $\phi$ 1.50	AP-A50540T	AP-A50540T-1	

- AP50539T and APA50540T are set part number which includes both of the semi-automatic crimping machine and the applicator (striper/crimper).
- Since AP-A50539T and AP-A50540T are same press machine, you can crimp both CM10-#22SC(C1)(D8)-5000 and CM10-#22SX(C2)(D8)-5000 by changing applicator.

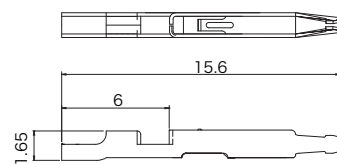
CM10-#22SC(C1)(D8)- □□□□



CM10-#22SC(C2)(D8)- □□□□



CM10-#22SC(S1)(D8)- □□□□



### Pin Contact

※ Contacts are applied CM09's contacts.

#### Loose Piece Contact

Contact Type	Contact P/N (100pcs. in 1 bag)	Applicable Wire	Hand Tool P/N	Extraction Tool P/N
		Conductor Size		
Crimp Type	CM09-#22PC-100	AWG24 ~ 28	357J-50482T	357J-51374T

Note: The packaging specification is 100 pcs of contacts per bag for sale.

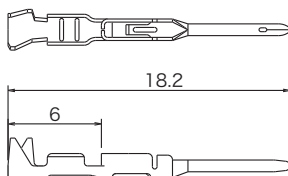
#### Reel Contact for Semi-Automatic Crimping Machine (Crimping Style Only)

The semi-automatic crimping machine is required when you terminate the reel contacts.

Contact P/N (10000pcs. on 1 reel)	Applicable Wire	Semi-automatic Crimping Machine		Extraction Tool P/N
	Conductor Size	1set P/N	Applicator P/N	
CM09-#22PC-10000	AWG24 ~ 28	AP-A50458T	AP-A50458T-1	357J-51374T

Note: AP-A50458T is a set part number which includes both of the semi-automatic crimping machine and the applicator (striper/crimper).

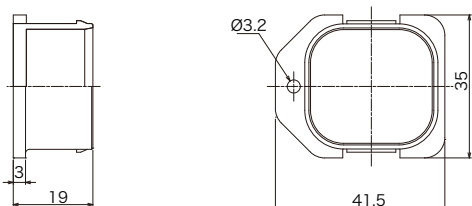
CM09-#22PC- □□□□



## ▶ Dust Cover

**Plug**

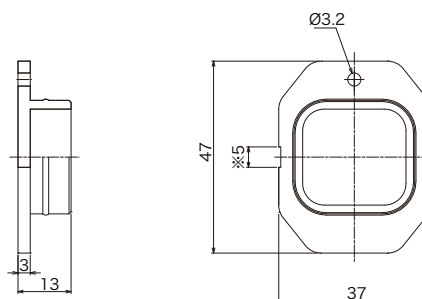
Material : P B T Resin(UL94V-0)/Black

**P/N : DIS30-PC**

Note : " Δ "marking of plug connector must be aligned with  $\phi$  3.2hole.

**Receptacle**

Material: Chloroprene rubber /Black

**P/N : DIS30-RC**

Note : " Δ "marking of receptacle connector must be aligned with " \* "(concavity).