

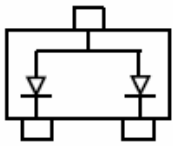
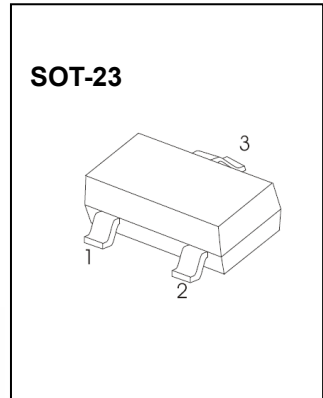
## SOT-23 Plastic-Encapsulate Diodes

### BAT64-04, BAT64-05, BAT64-06

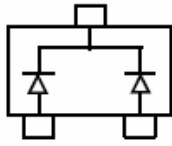
SCHOTTKY BARRIER DIODE

#### FEATURES

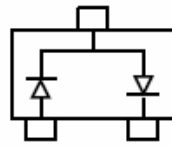
- For low-loss, fast-recovery, meter protection, bias isolation and clamping applications
- Integrated diffused guard ring
- Low forward voltage



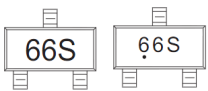
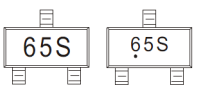

BAT64-06 MARKING:66S



BAT64-05 MARKING:65S



BAT64-04 MARKING: 64S

BAT64-06	BAT64-05	BAT64-04
		

Solid dot = Green molding compound device, if none, the normal device.

#### Maximum Ratings @T<sub>a</sub>=25°C

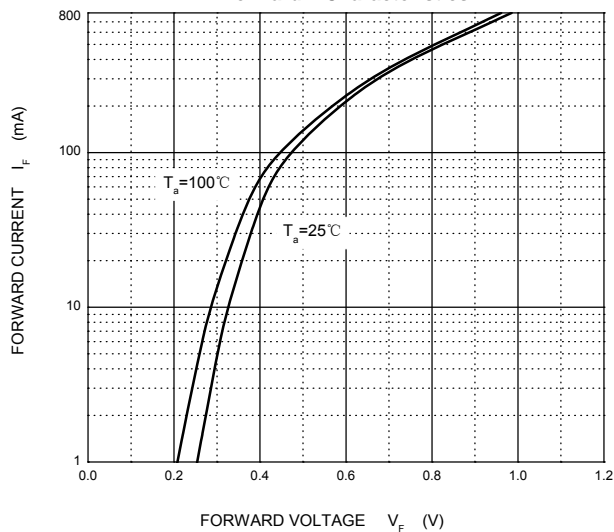
Parameter	Symbol	Limits	Unit
Peak reverse voltage	V <sub>RM</sub>	40	V
DC reverse	V <sub>R</sub>		
Non-repetitive Peak forward surge current @t=8.3ms	I <sub>FSM</sub>	0.8	A
Forward current	I <sub>F</sub>	0.25	A
Power Dissipation	P <sub>D</sub>	250	mW
Thermal Resistance Junction-to-Ambient	R <sub>ΘJA</sub>	400	°C/W
Junction temperature	T <sub>j</sub>	125	°C
Storage temperature	T <sub>stg</sub>	-55~+150	°C

#### Electrical Ratings @T<sub>a</sub>=25°C

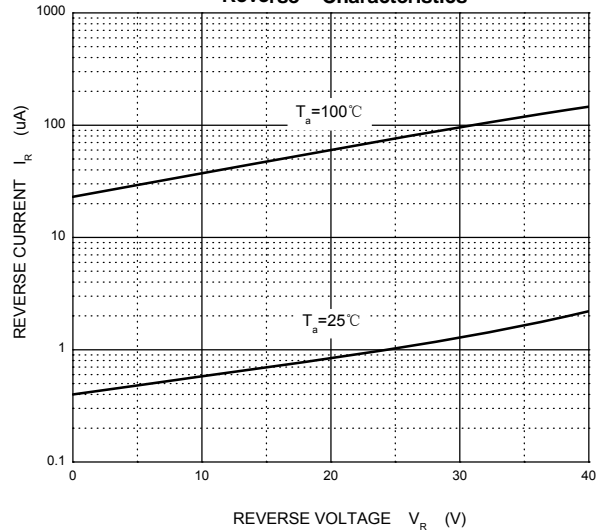
Parameter	Symbol	Min.	Typ.	Max.	Unit	Test Conditions
Reverse breakdown voltage	V <sub>R</sub>	40			V	I <sub>R</sub> =10μA
Forward voltage	V <sub>F</sub>			350 430 520 750	mV	I <sub>F</sub> =1mA I <sub>F</sub> =10mA I <sub>F</sub> =30mA I <sub>F</sub> =100mA
Reverse current	I <sub>R</sub>			2	μA	V <sub>R</sub> =25V
Capacitance between terminals	C <sub>T</sub>		6		pF	V <sub>R</sub> =1V, f=1MHz

# Typical Characteristics

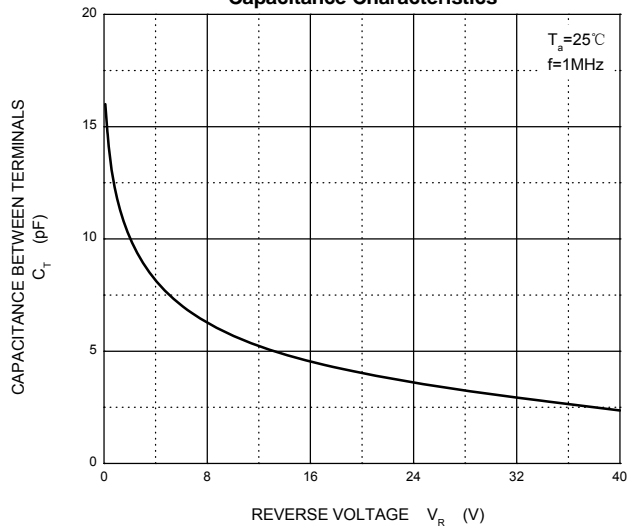
**Forward Characteristics**



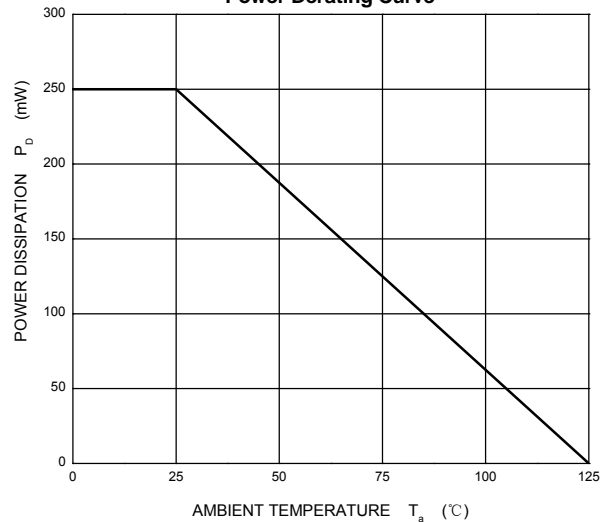
**Reverse Characteristics**



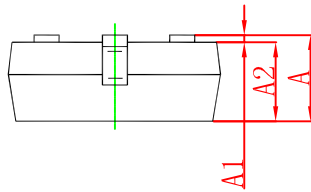
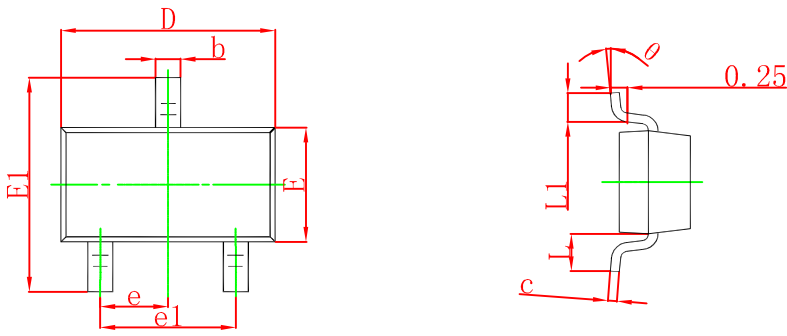
**Capacitance Characteristics**



**Power Derating Curve**

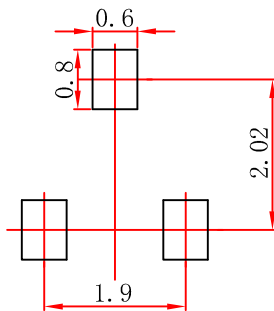


## SOT-23 Package Outline Dimensions



Symbol	Dimensions In Millimeters		Dimensions In Inches	
	Min	Max	Min	Max
A	0.900	1.150	0.035	0.045
A1	0.000	0.100	0.000	0.004
A2	0.900	1.050	0.035	0.041
b	0.300	0.500	0.012	0.020
c	0.080	0.150	0.003	0.006
D	2.800	3.000	0.110	0.118
E	1.200	1.400	0.047	0.055
E1	2.250	2.550	0.089	0.100
e	0.950 TYP		0.037 TYP	
e1	1.800	2.000	0.071	0.079
L	0.550 REF		0.022 REF	
L1	0.300	0.500	0.012	0.020
$\theta$	0°	8°	0°	8°

## SOT-23 Suggested Pad Layout



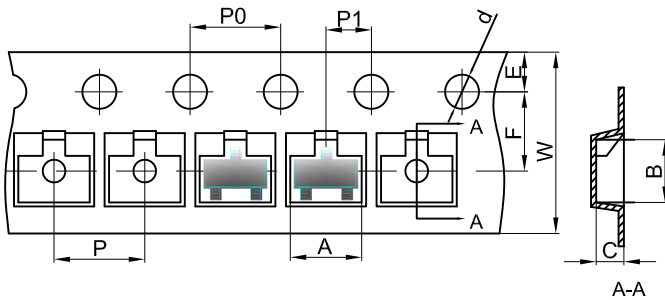
- Note:
1. Controlling dimension: in millimeters.
  2. General tolerance:  $\pm 0.05\text{mm}$ .
  3. The pad layout is for reference purposes only.

### NOTICE

JCET reserve the right to make modifications, enhancements, improvements, corrections or other changes without further notice to any product herein. JCET does not assume any liability arising out of the application or use of any product described herein.

# SOT-23 Tape and Reel

## SOT-23 Embossed Carrier Tape



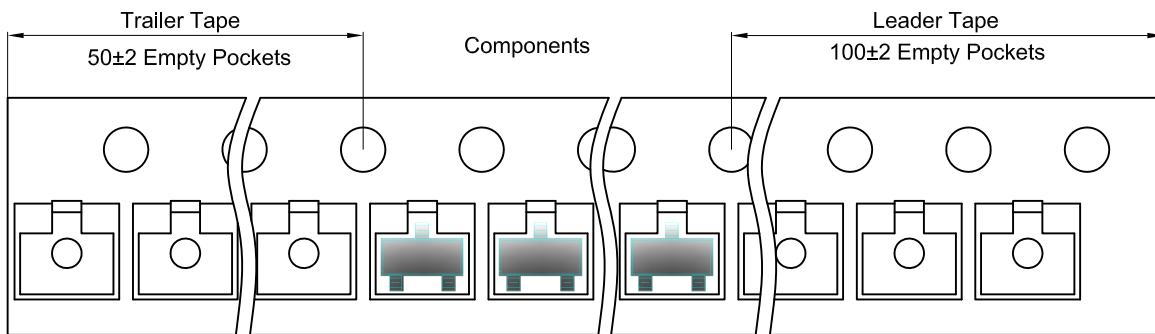
### Packaging Description:

SOT-23 parts are shipped in tape. The carrier tape is made from a dissipative (carbon filled) polycarbonate resin. The cover tape is a multilayer film (Heat Activated Adhesive in nature) primarily composed of polyester film, adhesive layer, sealant, and anti-static sprayed agent. These reeled parts in standard option are shipped with 3,000 units per 7" or 17.8cm diameter reel. The reels are clear in color and is made of polystyrene plastic (anti-static coated).

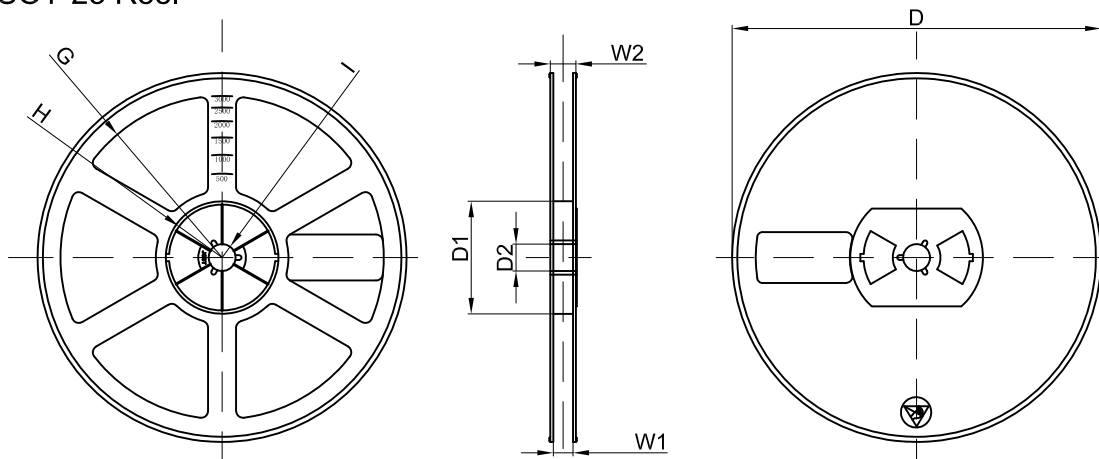
Dimensions are in millimeter

Pkg type	A	B	C	d	E	F	P0	P	P1	W
SOT-23	3.15	2.77	1.22	Ø1.50	1.75	3.50	4.00	4.00	2.00	8.00

## SOT-23 Tape Leader and Trailer



## SOT-23 Reel



Dimensions are in millimeter

Reel Option	D	D1	D2	G	H	I	W1	W2
7"Dia	Ø178.00	54.40	13.00	R78.00	R25.60	R6.50	9.50	12.30

REEL	Reel Size	Box	Box Size(mm)	Carton	Carton Size(mm)	G.W.(kg)
3000 pcs	7 inch	45,000 pcs	203×203×195	180,000 pcs	438×438×220	