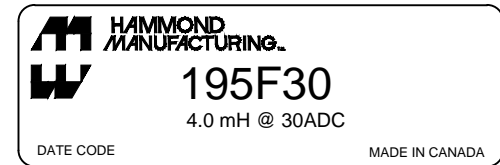
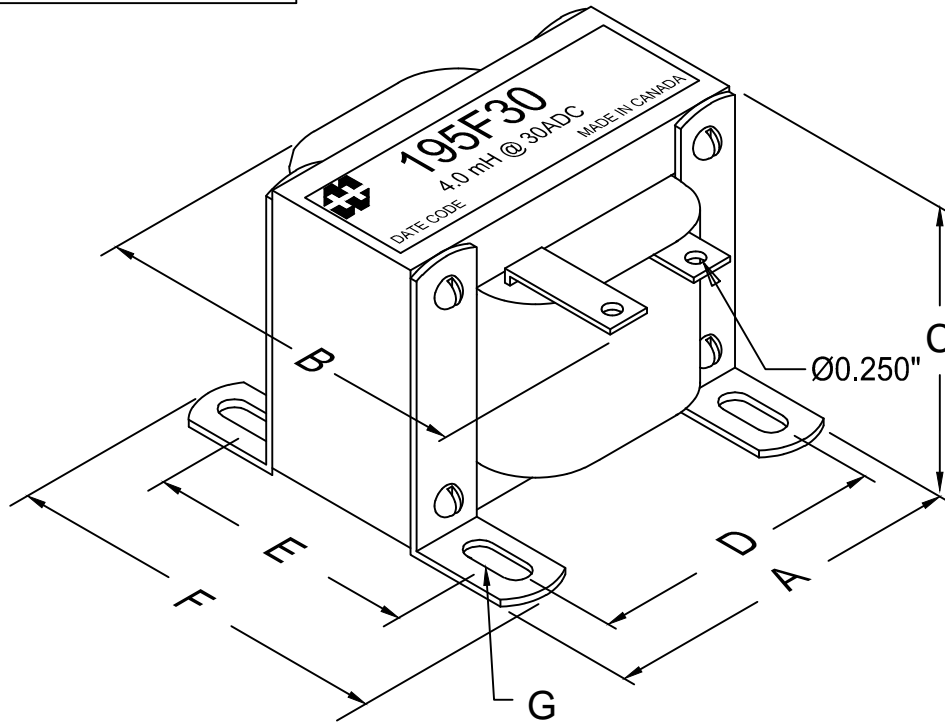
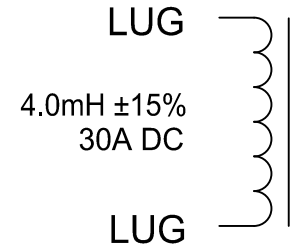


DIMENSIONS:	
A	6.375" ±0.063
B	5.00" MAX.
C	5.375" ±0.063
D	5.25" ±0.063
E	3.25" ±0.063
F	4.375" ±0.063
G	0.281" X 0.563" ±0.015

SCHMATIC



**ELECTRICAL DATA:**

TESTS	CONDITIONS	ACCEPTANCE CRITERIA
I <sub>ex</sub>	@ 5V, 60Hz,	2.27 - 3.07A
Inductance	@ 30ADC =	4.0mH ± 15%
DCR	@ 20°C, LUG - LUG =	0.018 Ω ±20%
	OPERATING VOLTAGE	750 VAC max.
	OPERATING VOLTAGE	600 VDC max.
	OPERATING TEMPERATURE	CLASS B 130°C
HIPOT	PRIMARY - CORE	2500V, 60Hz, 1 SEC
WEIGHT		23 LBS.

PROPERTY AND COPYRIGHT NOTICE

THIS DRAWING AND THE INFORMATION IT CONVEYS ARE THE PROPERTY OF HAMMOND MANUFACTURING. IT MAY NOT BE REPRODUCED, TRANSMITTED OR USED IN ANY MANNER WHATSOEVER WITHOUT THE WRITTEN PERMISSION OF HAMMOND MANUFACTURING.

REV.#	REVISION	DATE	ELECTRONIC DIVISION		PH # (519) 886-6181
0	RELEASED.	11/25/2013	52 RANKIN PLACE,		FAX # (519) 886-9540
			WATERLOO, ONTARIO, N2J 3Z5		
			DWG. BY: C. BACK	CHK'D BY:	TITLE: HIGH CURRENT
			DATE: 11/25/2013	APP'D. BY:	INDUCTOR
				DIMENSIONS: IN(X) MM( )	DWG. NO. 195F30

