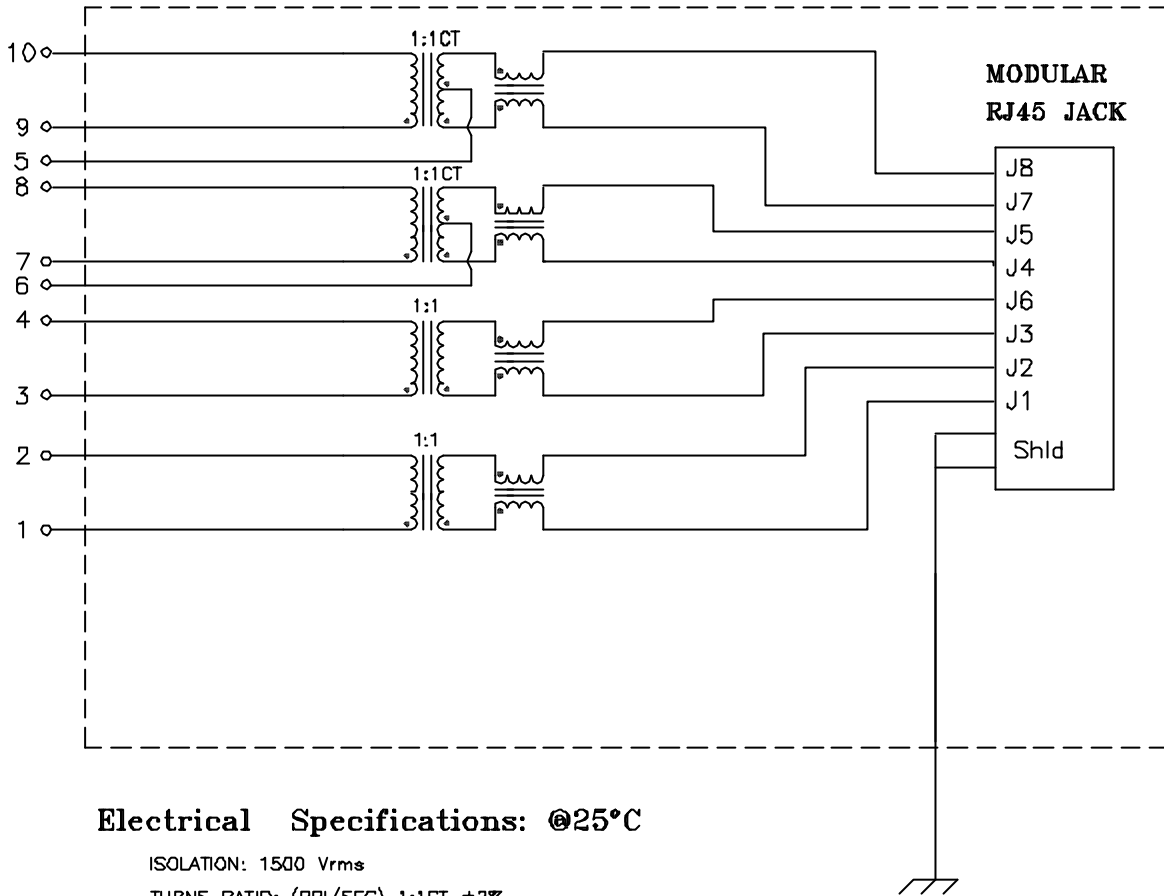


## Schematic: (EIGHT PORT)



### Electrical Specifications: @25°C

ISOLATION: 1500 Vrms

URNS RATIO: (PRI/SEC) 1:1CT ±2%

OCL: 350uH MIN @100KHz 100mV 8mADC

DCR: P5-J7 and P5-J8 mismatch, 3% Max

DCR: P6-J4 and P6-J5 mismatch, 3% Max

Rise Time: 1.75ns Max.

INSERTION LOSS: -1.0dB MAX @1MHz-10DMHz

RETURN LOSS:

-18dB Min @1-30MHz      -18dB Min @30-40MHz

-18dB Min @40-50MHz      -12dB Min @50-100MHz

Common Mode Rejection:

-43dB Min @1-30MHz      -37dB Min @30-60MHz

-33dB Min @60-125MHz

Crosstalk: -45dB Min @0.3-30MHz

-43dB Min @30-60MHz      -42dB Min @60-100MHz

Balanced DC Line Current: 600mA Max @57Vdc continuous Pins 5 + 6

750mA Max @57Vdc for 200milliseconds Pins 5 + 6

#### Notes:

1. Solderability: Leads shall meet MIL-STD-202G, Method 208H for solderability.
2. Flammability: UL94V-0
3. ASTM oxygen index: > 28%
4. Insulation System: Class F 155°C. UL file E151556
5. Operating Temperature Range: All listed parameters are to be within tolerance from -40°C to +85°C
6. Storage Temperature Range: -55°C to +125°C
7. Aqueous wash compatible
8. Electrical and mechanical specifications 100% tested
9. RoHS Compliant Component
10. Contact Plating: 30ulnches of Gold

DOC REV.: A/1

**XFMRs Inc.**  
www.XFMRS.com

Title:

SINGLE PORT COMBO

UNLESS OTHERWISE SPECIFIED

P/N: XFGIB100APOL-CT8-4M

REV. A

TOLERANCES:

DWN.

Juan Mao

Nov-29-06

.xxx ±0.010

CHK.

YK Liao

Nov-29-06

Dimensions in Inch

APP.

BW

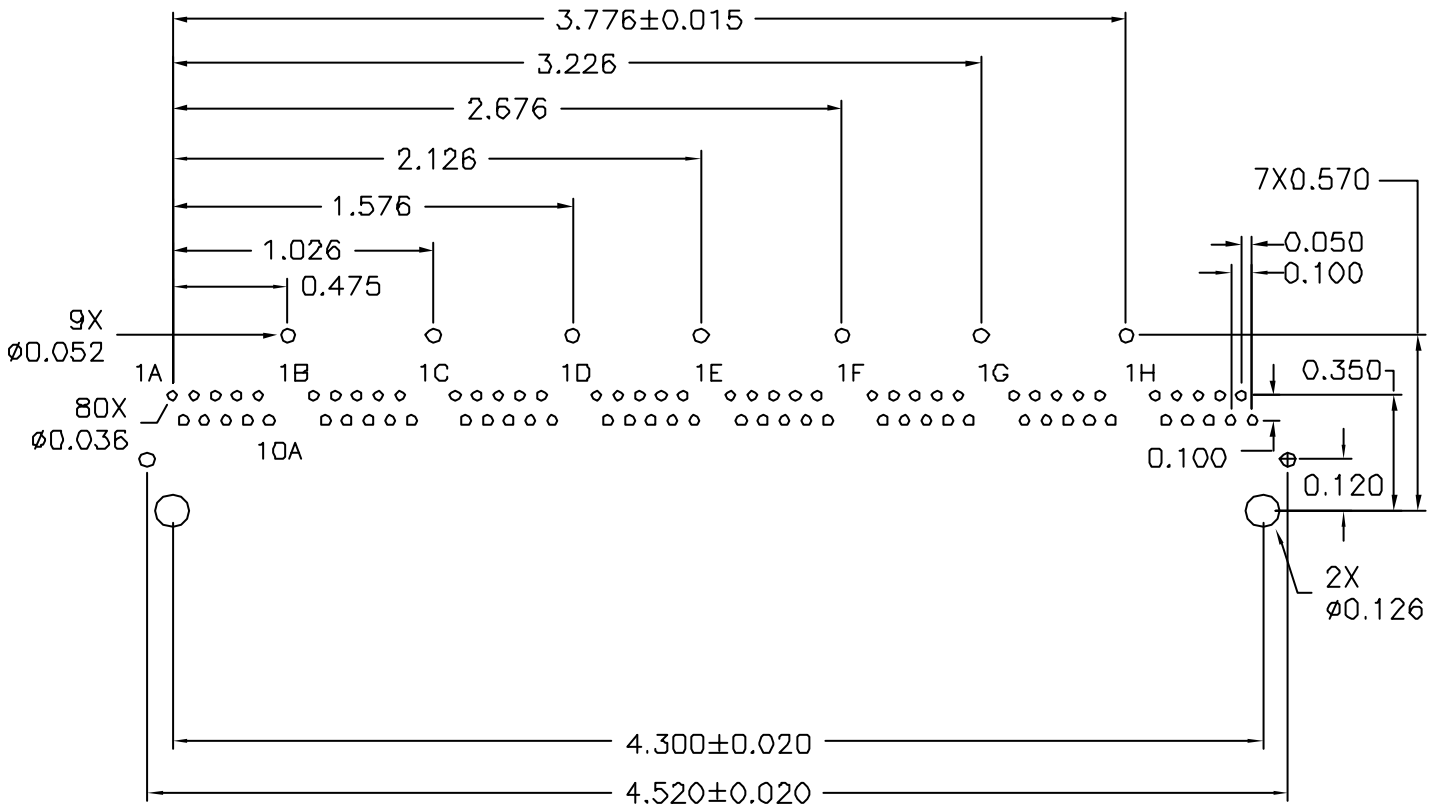
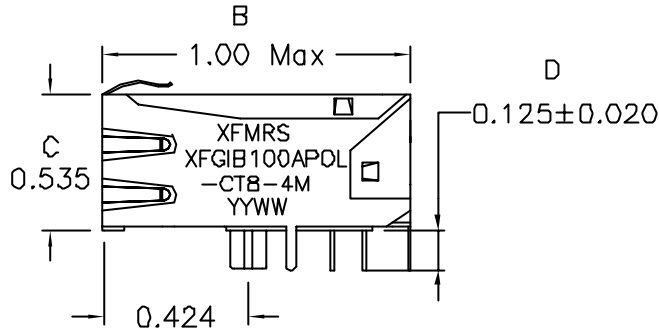
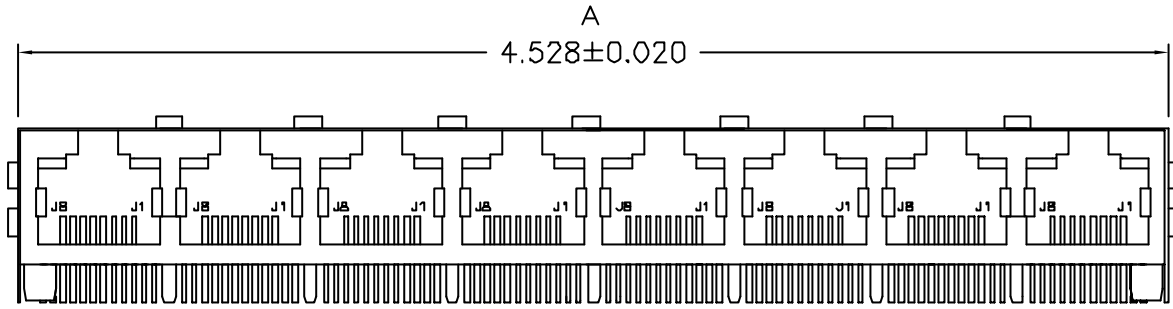
Nov-29-06

SHEET 1 OF 2

**PROPRIETARY:**

Document is the property of XFMRs Group & is not allowed to be duplicated without authorization.

**Mechanical Dimensions:**



SUGGESTED MOUNTING PATTERN  
(TOP VIEW)

DOC REV: A/1

**PROPRIETARY:**

Document is the property of XFMRS Group & is not allowed to be duplicated without authorization.

<b>XFMRS Inc.</b> <a href="http://www.XFMRS.com">www.XFMRS.com</a>	Title: <b>1x8 PORT Tab Up COMBO No LED's</b>		
	P/N: XFGIB100APOL-CT8-4M		REV. A
UNLESS OTHERWISE SPECIFIED TOLERANCES: .xxx ±0.010 Dimensions in Inch	DWN.	Juan Mao	Nov-29-06
	CHK.	YK Liao	Nov-29-06
SHEET 2 OF 2	APP.	BW	Nov-29-06