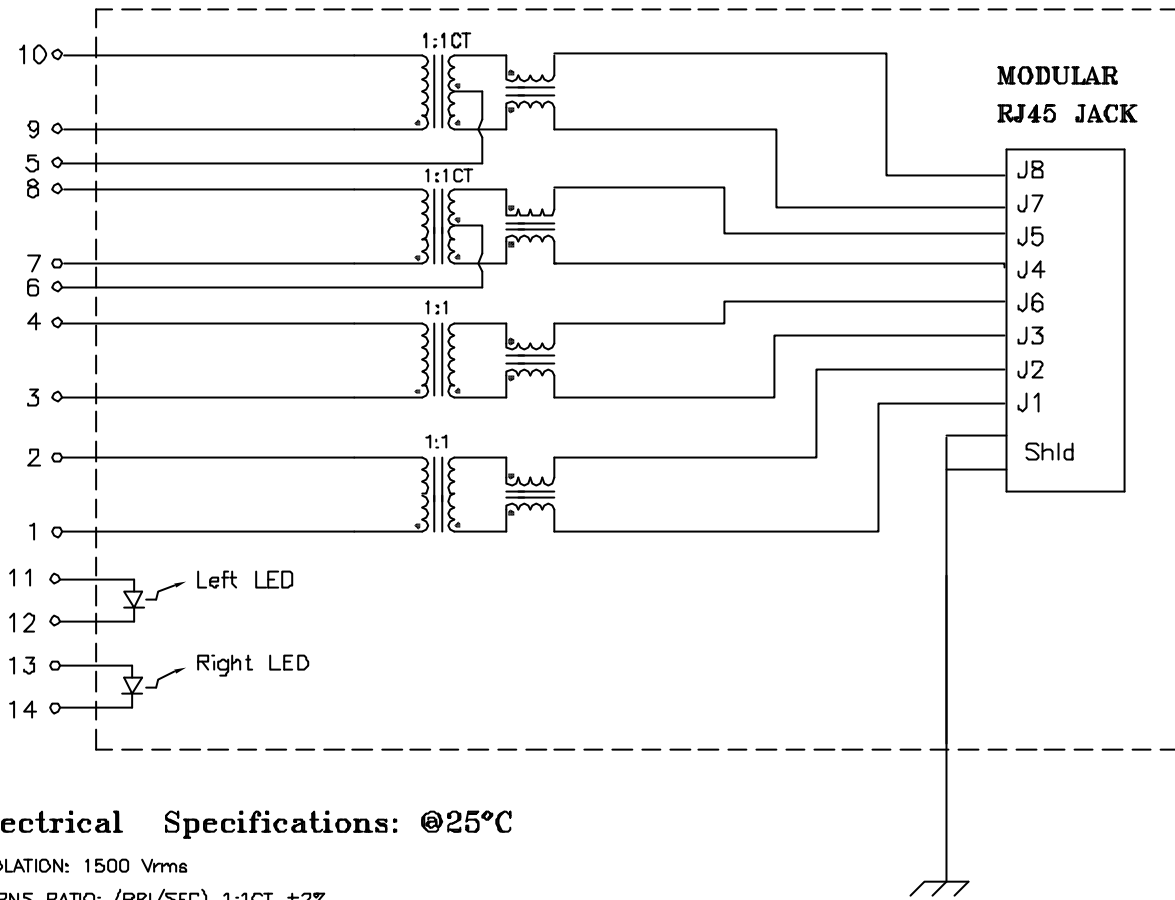


## Schematic: (SINGLE PORT)



### Electrical Specifications: @25°C

ISOLATION: 1500 Vrms

URNS RATIO: (PRI/SEC) 1:1CT ±2%

OCL: 350uH MIN @10DKHz 100mV BmADC

DCR: P5-J7 and P5-J8 mismatch, 3% Max

DCR: P6-J4 and P6-J5 mismatch, 3% Max

Rise Time: 1.75ns Max.

INSERTION LOSS: -1.0dB MAX @1MHz-100MHz

RETURN LOSS:

-18dB Min @1-30MHz      -15dB Min @30-40MHz

-13dB Min @40-50MHz      -12dB Min @50-100MHz

Common Mode Rejection:

-43dB Min @1-30MHz      -37dB Min @30-60MHz

-33dB Min @60-125MHz

Crosstalk: -45dB Min @0.3-30MHz

-43dB Min @30-60MHz      -42dB Min @60-100MHz

Balanced DC Line Current: 800mA Max @57Vdc continuous P/ns 5 + 6  
1000mA Max @57Vdc for 200milliseconds P/ns 5 + 6

Complete the Combo P/N as follows:

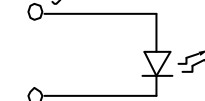
Replace 'x' & 'u' in the part number with one of the LED color letters:

Y=Yellow  
G=Green  
A=Amber  
R=Red

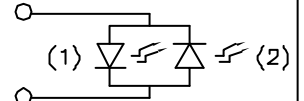
'x' = Left LED Color  
'u' = Right LED Color

C=Green(1)/Amber(2) Bicolor  
D=Amber(1)/Green(2) Bicolor  
M=Green(1)/Yellow(2) Bicolor  
N=Yellow(1)/Green(2) Bicolor  
P=Red(1)/Green(2) Bicolor  
Q=Green(1)/Red(2) Bicolor  
E=Red(1)/Yellow(2) Bicolor  
F=Yellow(1)/Red(2) Bicolor  
H=Amber(1)/Yellow(2) Bicolor  
J=Green(1)/Green(2) Bicolor

Single Color LED:



Bi-Color LED:



#### Notes:

- Solderability: Leads shall meet MIL-STD-202C, Method 208H for solderability.
- Flammability: UL94V-0
- ASTM oxygen index: > 28%
- Insulation System: Class F 155°C. UL file E151556
- Operating Temperature Range: All listed parameters are to be within tolerance from -40°C to +85°C
- Storage Temperature Range: -55°C to +125°C
- Aqueous wash compatible
- Electrical and mechanical specifications 100% tested
- RoHS Compliant Component

DOC REV.: A/1

**PROPRIETARY:**

Document is the property of XFMRS Group & is not allowed to be duplicated without authorization.

**XFMRS Inc.**  
www.XFMRS.com

Title: SINGLE PORT COMBO

UNLESS OTHERWISE SPECIFIED

P/N: XFGIB100APOL-CLxu4-4MS

REV. A

TOLERANCES:

DWN.

Juan Mao

Jul-01-08

.xxx ±0.010

CHK.

YK Liao

Jul-01-08

Dimensions in Inch

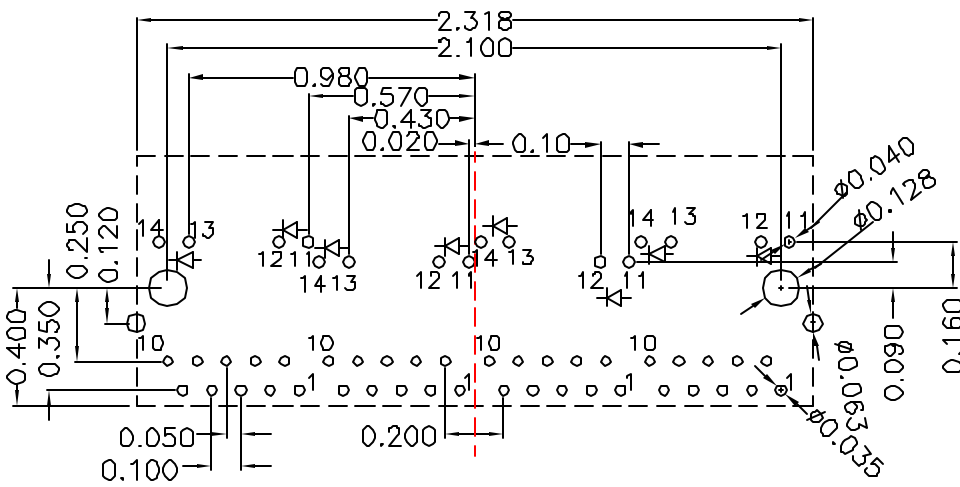
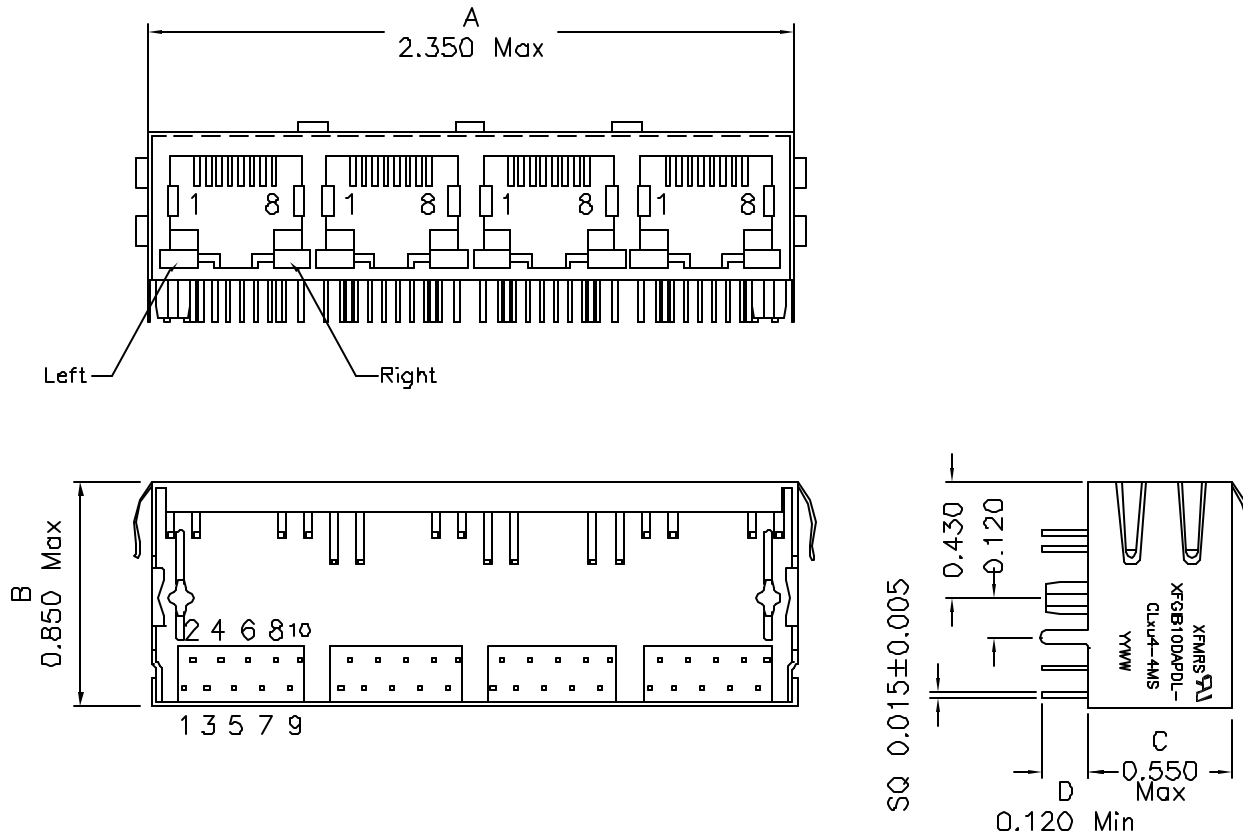
APP.

BW

Jul-01-08

SHEET 1 OF 2

# Mechanical Dimensions: (FOR CLxu4-4MS)



SUGGESTED MOUNTING PATTERN

<b>XFMRs Inc</b> www.XFMRs.com UNLESS OTHERWISE SPECIFIED TOLERANCES: .xxx ±0.010 Dimensions in Inch	Title: <b>FOUR PORT COMBO w/ LED's</b>		
	P/N: XFGIB100APOL-CLxu4-4MS		REV. A
DOC REV: A/1	DWN.	Juan Mao	Jul-01-08
	CHK.	YK Liao	Jul-01-08
	APP.	BW	Jul-01-08
SHEET 2 OF 2			

**PROPRIETARY:**  
 Document is the property of XFMRs Group & is not allowed to be duplicated without authorization.