



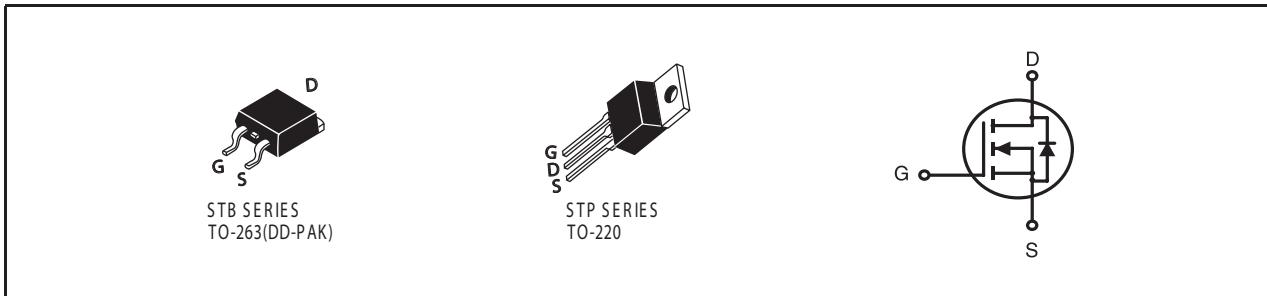
N-Channel Logic Level Enhancement Mode Field Effect Transistor

PRODUCT SUMMARY

VDSS	ID	RDS(ON) (mΩ) Max
40V	65A	8 @ VGS=10V
		11.5 @ VGS=4.5V

FEATURES

- Super high dense cell design for extremely low RDS(ON).
- High power and current handling capability.
- TO-220 & TO-263 package.



ABSOLUTE MAXIMUM RATINGS (T_C=25°C unless otherwise noted)

Symbol	Parameter	Limit	Units
V _{DS}	Drain-Source Voltage	40	V
V _{GS}	Gate-Source Voltage	±20	V
I _D	Drain Current-Continuous ^a	T _A =25°C	65
		T _A =70°C	52
I _{DM}	-Pulsed ^b	191	A
E _{AS}	Avalanche Energy ^c	196	mJ
P _D	Maximum Power Dissipation ^a	T _A =25°C	62.5
		T _A =70°C	40
T _J , T _{STG}	Operating Junction and Storage Temperature Range	-55 to 150	°C

THERMAL CHARACTERISTICS

R _{θJC}	Thermal Resistance, Junction-to-Case	2	°C/W
R _{θJA}	Thermal Resistance, Junction-to-Ambient	50	°C/W

STB/P440S

Ver 1.0

ELECTRICAL CHARACTERISTICS (T_C=25°C unless otherwise noted)

Symbol	Parameter	Conditions	Min	Typ	Max	Units
OFF CHARACTERISTICS						
BV _{DSS}	Drain-Source Breakdown Voltage	V _{GS} =0V , I _D =250uA	40			V
I _{DSS}	Zero Gate Voltage Drain Current	V _{DS} =32V , V _{GS} =0V			1	A
I _{GSS}	Gate-Body leakage current	V _{GS} = ±20V , V _{DS} =0V			±100	nA
ON CHARACTERISTICS ^a						
V _{GS(th)}	Gate Threshold Voltage	V _{DS} =V _{GS} , I _D =250uA	1	2	3	V
R _{DS(ON)}	Drain-Source On-State Resistance	V _{GS} =10V , I _D =30A		6	8	m ohm
		V _{GS} =4.5V , I _D =25A		8.5	11.5	m ohm
g _{FS}	Forward Transconductance	V _{DS} =5V , I _D =30A		40		S
DYNAMIC CHARACTERISTICS ^b						
C _{ISS}	Input Capacitance	V _{DS} =20V, V _{GS} =0V f=1.0MHz		1380		pF
C _{OSS}	Output Capacitance			233		pF
C _{RSS}	Reverse Transfer Capacitance			215		pF
SWITCHING CHARACTERISTICS ^b						
t _{D(ON)}	Turn-On DelayTime	V _{DD} =20V I _D =1A V _{GS} =10V R _{GEN} =6 ohm		27		ns
t _r	Rise Time			72		ns
t _{D(OFF)}	Turn-Off DelayTime			65		ns
t _f	Fall Time			45		ns
Q _g	Total Gate Charge	V _{DS} =20V, I _D =30A, V _{GS} =10V		33.5		nC
		V _{DS} =20V, I _D =30A, V _{GS} =4.5V		17		nC
Q _{gs}	Gate-Source Charge	V _{DS} =20V, I _D =30A, V _{GS} =10V		3.2		nC
Q _{gd}	Gate-Drain Charge			12		nC
DRAIN-SOURCE DIODE CHARACTERISTICS AND MAXIMUM RATINGS						
I _S	Maximum Continuous Drain-Source Diode Forward Current				10	A
V _{SD}	Diode Forward Voltage	V _{GS} =0V, I _S =10A		0.81	1.3	V
Notes a. Pulse Test: Pulse Width ≤ 300us, Duty Cycle ≤ 2%. b. Guaranteed by design, not subject to production testing. c. Starting T _J =25°C, L=0.5mH, V _{DD} =30V, V _{GS} =10V. (See Figure13)						

Apr, 13, 2009

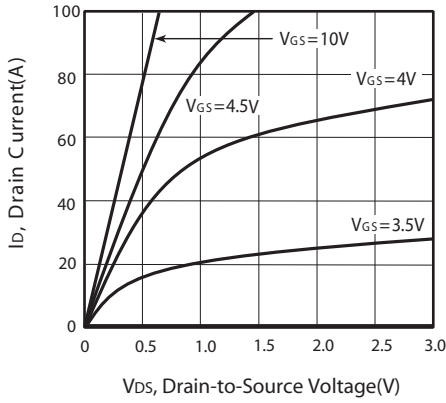


Figure 1. Output Characteristics

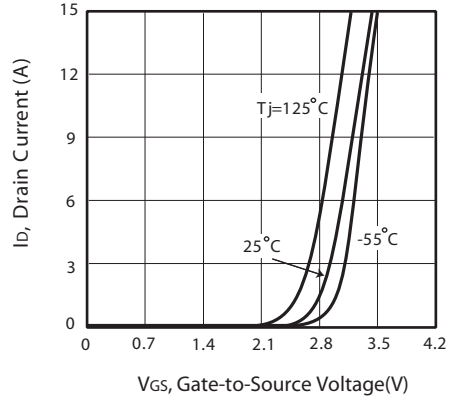


Figure 2. Transfer Characteristics

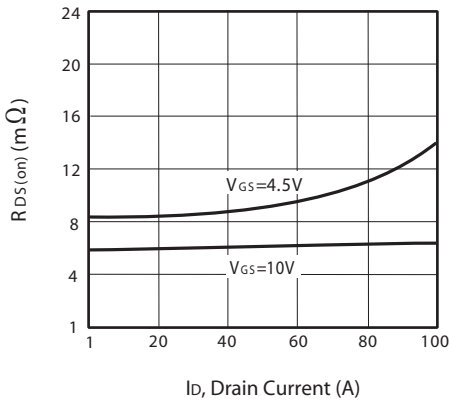


Figure 3. On-Resistance vs. Drain Current and Gate Voltage

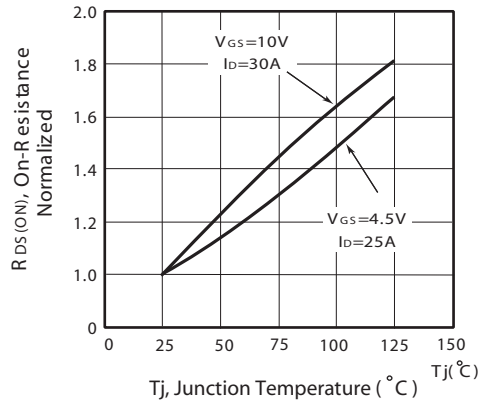


Figure 4. On-Resistance Variation with Drain Current and Temperature

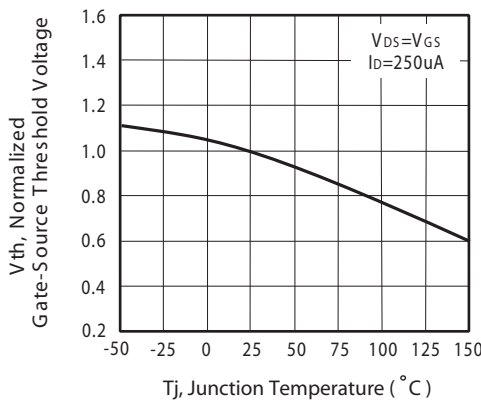


Figure 5. Gate Threshold Variation with Temperature

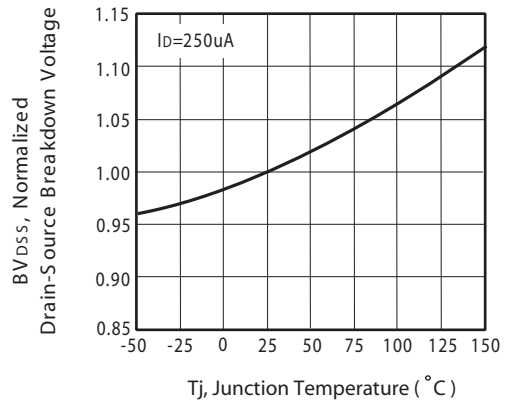


Figure 6. Breakdown Voltage Variation with Temperature

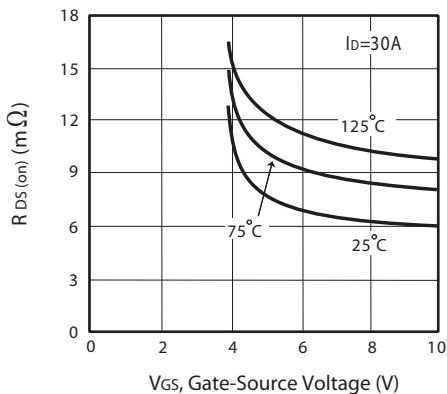


Figure 7. On-Resistance vs. Gate-Source Voltage

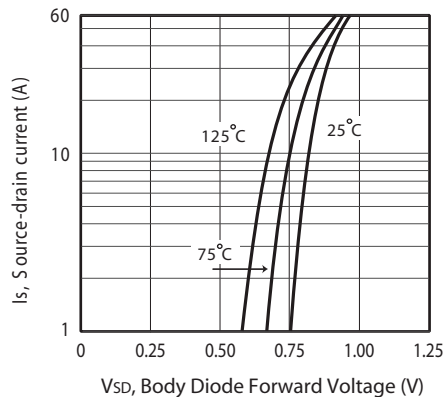


Figure 8. Body Diode Forward Voltage Variation with Source Current

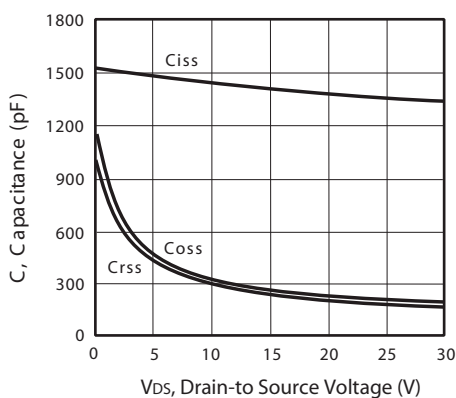


Figure 9. Capacitance

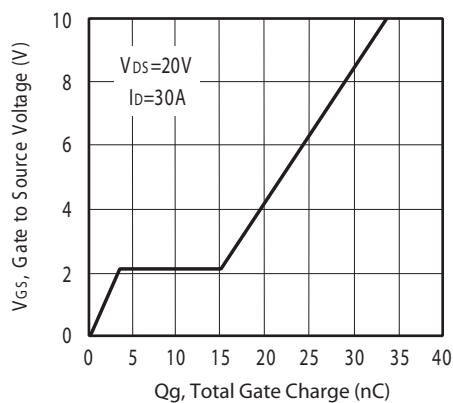


Figure 10. Gate Charge

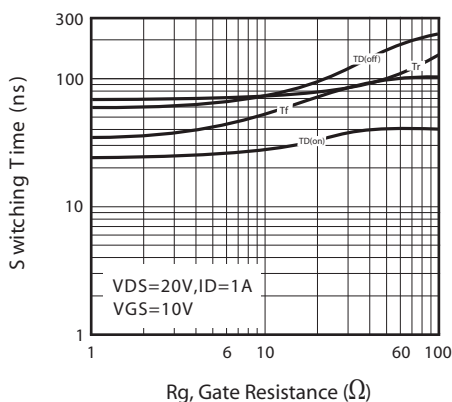


Figure 11. Switching Characteristics

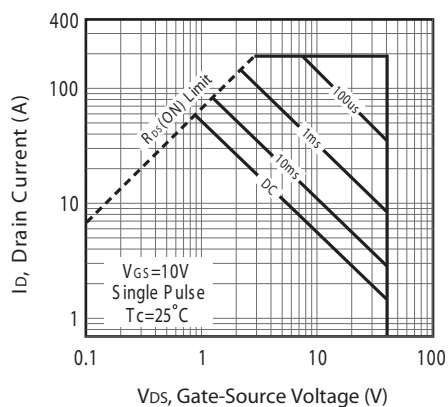
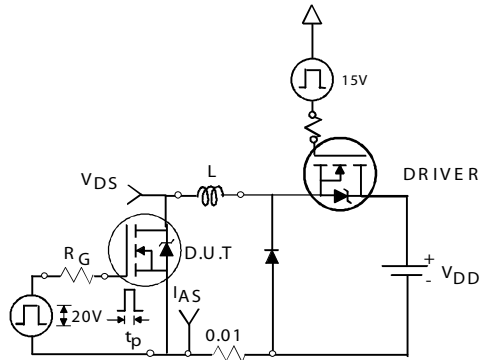
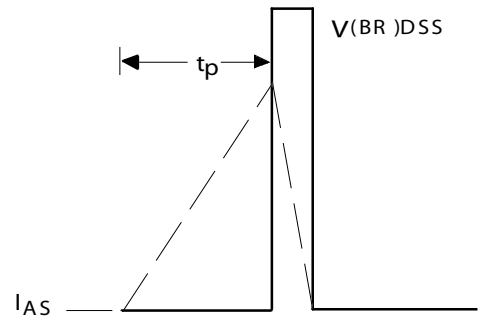


Figure 12. Maximum Safe Operating Area



Unclamped Inductive Test Circuit

Figure 13a.



Unclamped Inductive Waveforms

Figure 13b.

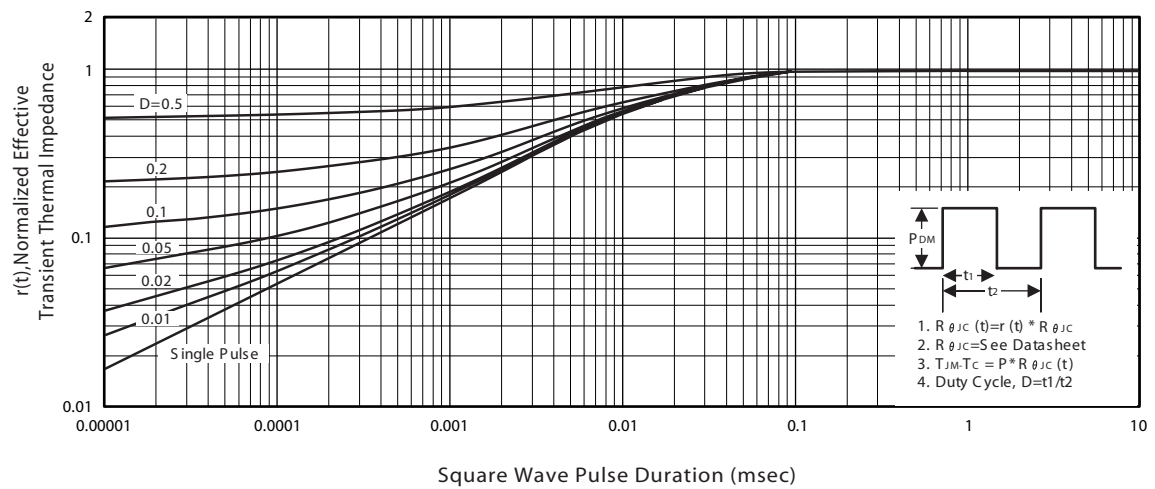


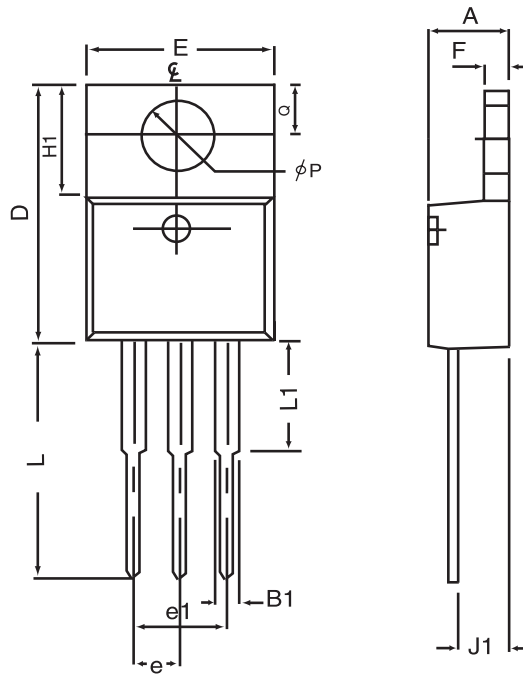
Figure 14. Normalized Thermal Transient Impedance Curve

STB/P440S

Ver 1.0

PACKAGE OUTLINE DIMENSIONS

TO-220

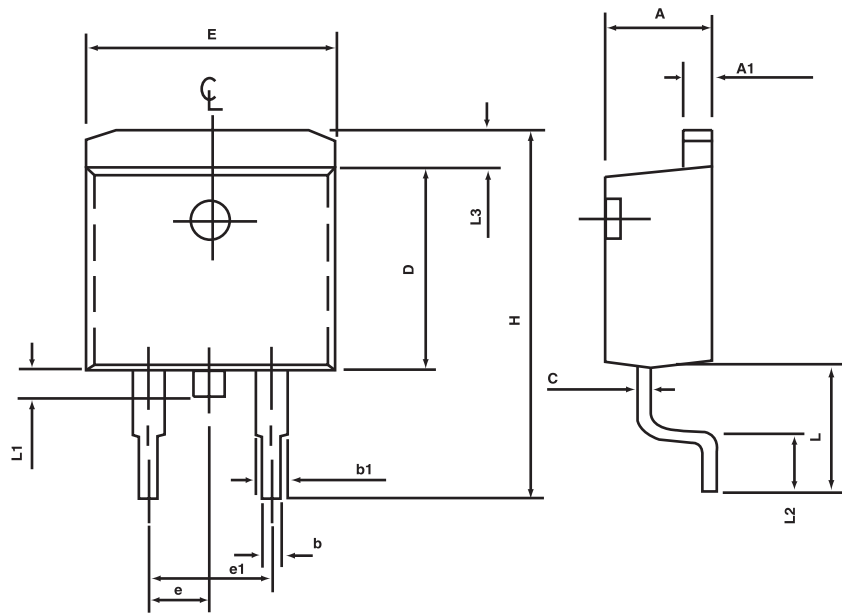


SYMBOLS	MILLIMETERS		INCHES	
	MIN	MAX	MIN	MAX
A	4.32	4.80	0.170	0.189
B1	1.27	1.65	0.050	0.630
D	14.6	16.00	0.575	0.610
E	9.70	10.41	0.382	0.410
e	2.34	2.74	0.092	0.108
e1	4.68	5.48	0.184	0.216
F	1.14	1.40	0.045	0.055
H1	5.97	6.73	0.235	0.265
J1	2.20	2.79	0.087	0.110
L	12.88	14.22	0.507	0.560
L1	3.00	6.35	0.120	0.250
phi P	3.50	3.94	0.138	0.155
Q	2.54	3.05	0.100	0.120

Apr,13,2009

PACKAGE OUTLINE DIMENSIONS

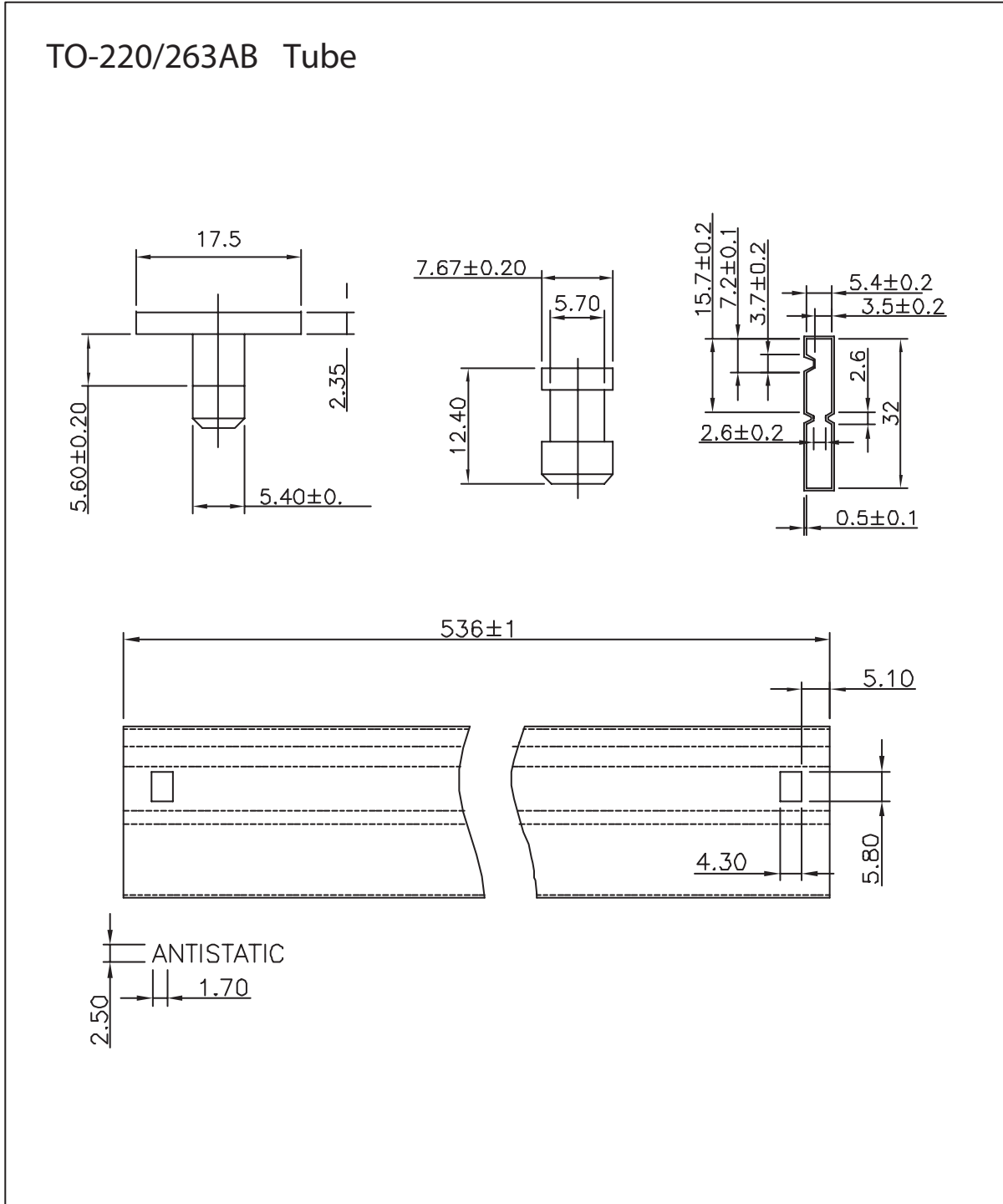
TO-263AB



SYMBOLS	MILLIMETERS		INCHES	
	MIN	MAX	MIN	MAX
A	4.30	4.70	0.169	0.185
A1	1.22	1.32	0.048	0.055
b	0.69	0.94	0.027	0.037
b1	1.22	1.40	0.048	0.055
C	0.36	0.56	0.014	0.022
D	8.64	9.652	0.340	0.380
E	9.70	10.54	0.382	0.415
e	2.29	2.79	0.090	0.110
e1	4.83	5.33	0.190	0.210
H	14.60	15.78	0.575	0.625
L	4.70	5.84	0.185	0.230
L1	1.20	1.778	0.047	0.070
L2	2.24	2.84	0.088	0.111
L3	1.40 MAX		0.055 MAX	

STB/P440S

Ver 1.0



Apr, 13, 2009